

■ The Schüring System

Walter Schüring was one of the pioneers, fifty-five years ago, when the idea of PVC windows was new. Ever since, we have specialised exclusively in this sector and used our experience and knowledge to develop trendsetting products. Today, Schüring's comprehensive range of services forms a perfectly coordinated and detailed programme:

■ Schüring -Fittings Systems

For every type of window or door the ideal quality product - in fact every requirement for PVC windows. Many of the products have been developed and subsequently patented by Schüring. (450 Patents).

■ Schüring - Product Development

Continual improvement of existing goods and the development of new systems that set benchmarks !

■ Schüring - Application Technique

Customer service, practical help for customers on their premises, training and instruction courses !

■ Schüring - Delivery Service

With our modern warehouse and mail-order centre in Troisdorf-Spich/Germany, we have fulfilled all the necessary conditions which enable us to work quickly and efficiently. Standard products (catalogue articles) can usually be delivered within 24 hours of the order placement. We kindly request you to help us by placing your orders on time and by stating clearly the articles you require.

■ Schüring - The Only Full-Line Provider in Europe

For manufacturers of PVC windows and doors.

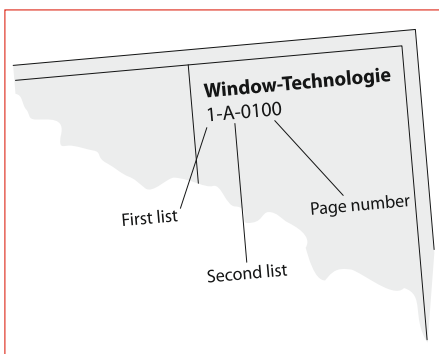
- Development
- Production
- Distribution

What you should know before using this catalogue

Dear Reader,

This catalogue gives you an insight into the constantly expanding range of products from the Schüring range: "Fittings systems and accessories for the production of PVC windows and doors".

The following information is to make the use of the catalogue even easier.



Blank spaces in the index do not mean that we have nothing to offer in these sections - the data sheets are not yet finished and will be added later.

Schüring Fenster- und Türtechnologie GmbH
Langbaorghstraße 3
53842 Troisdorf-Spich
Postfach 3144
53831 Troisdorf

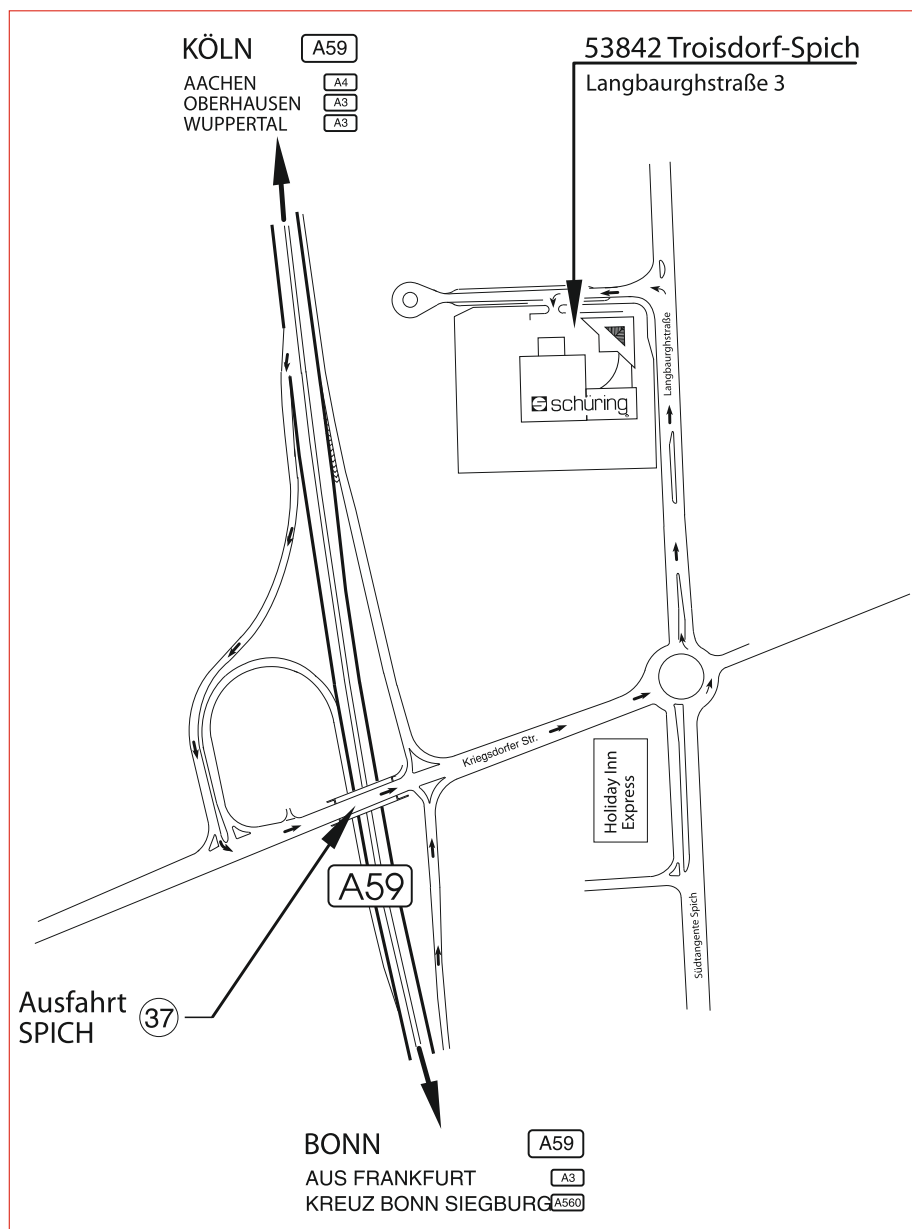
Central
Tel.: +49 2241-994-0
Fax: +49 2241-994-283

Fittings Systems
Fax: +49 2241-994-280

Business hours:
7.00 until 18.00 hours

Outside business hours you can leave a message on our telephone answering system or send us an e-mail: schuering@schuering.de

How to find us:



For the delivery conditions please look at our general terms and conditions.

Technical specifications are according to the actual conditions at the time of printing. Information with regard to materials, dimensions and weights are made to the best of our knowledge. We will not accept any responsibility for printing errors and other mistakes and reject any legal claims in this respect. We will gladly send you supplementary single pages. Reprinting, reproduction or EDP processing, also of extracts, is not permitted. Exemptions require previously written consent.

Window fittings

1

Door fittings

2

Accessories and consumable items

3

0. Product information	1-A-0050
1. Inward opening windows	
1.1 Espagnolettes	1-A-0100
1.2 Window and door hinges	1-A-0150 – 1-A-0160
2. In Planning	1-B
3. In Planning	1-C-0100
4. Outward opening windows	1-D-0100
5. Top hung and bottom hung casements, fan light windows	
5.1 Accessories for top hung and bottom hung casements	1-E-0100
5.2 Top scissor for bottom hang sash	1-E-0110
5.3 Rebate stays for bottom hung sashes	1-E-0120
5.4 Electric fan light opener	1-E-0150
5.5 Fan light fitting, surface	1-E-0200 – 1-E-0230
6. Handles, frame wedges, snap-in keeps, pull handles, miscellaneous	
6.1 MTR-Handles	1-F-0090 – 1-F-0176
6.2 Frame wedges	1-F-0300 – 1-F-0310
6.3 Snap-in keeps for balcony doors	1-F-0400 – 1-F-0410
6.4 Friction anchor	1-F-0600

Window fittings

Inward opening windows

1A

In Planning

1B

In Planning

1C

Outward opening windows

1D

Top hung and bottom hung window, fan light

1E

Window handles, wedges, snap-in keeps, pull handles, miscellaneous

1F

Door fittings

2

Accessories and consumable items

3

In accordance with the liability of the manufacturer for his products as defined in the "Product Liability Law"

§ 4 (ProdHaftG) the following information regarding fanlight fittings is to be observed. Noncompliance releases the manufacturer from his liability.

1. Product information and intended use

Fanlight fittings are devices designed for opening and closing fanlight windows with different opening methods - in particular top or bottom hung windows in buildings. They are used to securely open and close window casements which are out of the user's reach by operating a lever handle which is connected to the opening stay via rods. The lever handle is mounted onto the window frame or to the masonry. The opening stay can also be operated by a crank gear, an electric motor or by means of a pneumatic cylinder or a hydraulic cylinder. The surface of the fanlight fittings is corrosion protected.

Fanlight fittings can be used on windows made of timber, PVC, aluminium or steel and their corresponding material combinations.

Opening stays are available in different designs which are adapted to the various opening methods of windows and to the various options for installing windows into buildings. The opening stays can place the window casements into several ventilation positions and lock them. Other usage is not in compliance with intended use.

Burglar resistant windows and windows for use in damp environments or in corrosion aggressive environments require special fittings.

Open windows serve a shielding function only and do not fulfil any requirements with regard to joint sealing, heavy rain resistance, sound insulation, heat insulation and burglary resistance. In the case of windows positioned within hand's reach - lower than 2.500 mm above floor level - and driven by electric motors, pneumatic cylinders or hydraulic cylinders, guidelines for power driven doors and gates must be observed. For bottom hung outward or inward opening casements security stays are required in addition to the fanlight fitting in order to limit the tilting motion of the casement after the opening stay has been unhinged (security stay position). The opening width of the security position is slightly larger than that of the opening stay.

Tilt casements in the cleaning position must be secured in a manner that does not allow the hinges to be affected by any impermissible forces. In the occurrence of wind and draughts the window casements must be shut. In order to prevent damage the lever handle must be placed in the specified end position.

2. Misuse

Misuse i.e. utilisation of the product which is not in accordance with the specified intended utilisation of fanlight fittings - occurs in particular:

- where obstructions have infiltrated the opening vicinity and therefore prevent proper specified use
- where additional loads affect the window
- when a hand is placed in the rebate between the window and the frame during the closing of the window (risk of injury)
- when the installation and securing of the stay is not carried out as stipulated by the manufacturer
- when the window casement has not been carefully placed in the cleaning position while the opening stay is released

3. Product capacity

- Maximum casement weights and sizes

The maximum casement weights and casement sizes for the respective stay systems as stipulated by the manufacturer must be observed. In addition to the casement weight, the distance from the casement centre of gravity to the centre of rotation is also a decisive factor in determining the permitted maximum casement size. When determining the maximum casement size i.e. the number of coupled casements, the instructions from the manufacturer for the different modes of operating must be observed.

- Assembling the fittings

The instructions stipulated by the manufacturer for the assembly of the fittings (e.g. number of stays to be installed per casement, installation of security stays) are binding.

4. Product maintenance

Security related fittings parts are to be regularly checked for mechanical security and for wear and tear. Where required fixing screws are to be tightened and/or parts exchanged. Furthermore, the following maintenance work is to be carried out at least once a year:

- all movable parts and all locking points of the fanlight fittings are to be greased (Schüring Maintenance Spray) and their functions tested.
- only cleaning and maintenance agents (Schüring Maintenance Kit), which do not damage the corrosion protection of the fittings parts are to be used.

All adjustment work on the fittings and the replacement of parts is to be carried out by qualified specialists

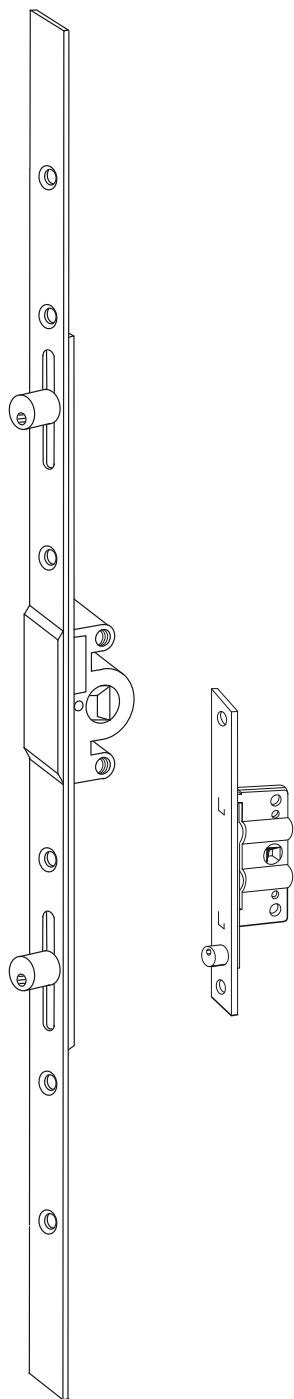
5. Obligation to issue information and instructions

To fulfil the information and instruction obligations as well as the maintenance work in accordance with the "Product Liability Law" the following documents are available:

- for planning engineers: "Planning Documents"
- for specialist dealers: "Catalogues"
- for processors: "Installation Instructions and Fabrication Drawings"
- for builders and end users: "Cleaning and Maintenance Instructions" as well as "Operating Instructions"

To ensure the function of the fanlight fittings for windows:

- planning engineers are obliged to acquire the product information from the manufacturer or specialist dealer and to comply with this information
- the specialist dealers are obliged to observe the product information which together with the installation instructions, fabrication drawings, cleaning and maintenance instructions and operating instructions should be acquired from the manufacturer and passed onto the processor
- processors are obliged to observe the product information and in particular to acquire the cleaning and maintenance instructions and the operating instructions from the manufacturer or the specialist dealer and to pass these on to the builders and end users.



For top hung and side hung windows,
adjustable locking cams
8,5 mm high, Ø 11 mm.
To fit onto the top scissor stay.

Finish: **SilverLine**
Faceplate: F 16 x 2,7 mm
Backset: 15 mm
Spindle-housing: 7 mm
Rear backset: 12 mm
■ Boxed qty.: 1 and 10 pieces

Espagnolettes

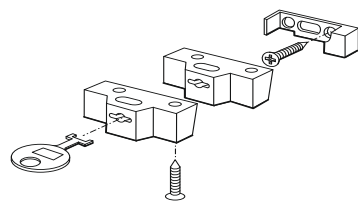
	Size	No. of rollers
01.025.03	400– 600	2
01.025.07	601–1.000	2
01.025.10	1.001–1.300	3
01.025.13	1.301–1.600	3
01.025.16	1.601–2.000	3
01.025.20	2.000–2.200	3

Single-cam-lock

1 adjustable locking cam.

Backset: 15 mm
■ Boxed qty.: 1 and 10 pieces

02.006.02 SilverLine



Child safety lock

screw fixed, allows for ventilation
in a locked position.

■ Boxed qty.: 1 and 20 pieces

02.005.40 white

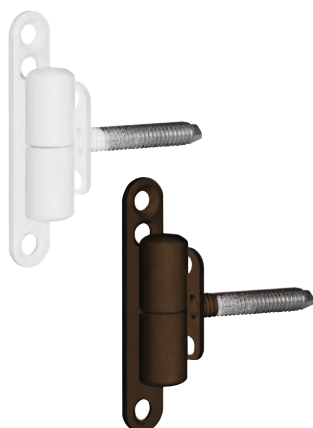


Window hinge with fixed threaded pin
 Ø 7 mm. Screw fixed frameplate made of powder coated galvanised steel.

Width: 15 mm
 Length: 80 mm
 Socket diameter: **15 mm**
 ■ Boxed qty.: 1 and 100 pieces

Window hinge with 3 hole screw fixing. Threaded pin 40 mm long.

- 09.701.01 white
- 09.701.11 white, maintenance free
- 09.300.10 screw-on plate, white
- 09.711.09 jig



Window hinge with fixed threaded pin
 Ø 7 mm. Screw fixed frameplate made of powder coated galvanised steel.

Width: 15 mm
 Length: 83 mm
 Socket diameter: **13 mm**
 ■ Boxed qty.: 1 and 100 pieces

Window hinge with 3 hole screw fixing. Threaded pin 40 mm long.

- 09.711.01 white
- 09.711.02 brown
- 09.300.10 screw-on plate, white



Window hinge with fixed threaded pin
 Screw fixed frameplate made of powder coated galvanised steel.

Width: 15 mm
 Length: 60 mm
 Socket diameter: **13 mm**
 ■ Boxed qty.: 1 and 100 pieces

Window Hinge with 2 hole screw fixing. Threaded pin 40 mm long.

- 09.731.01 white
- 09.712.09 jig

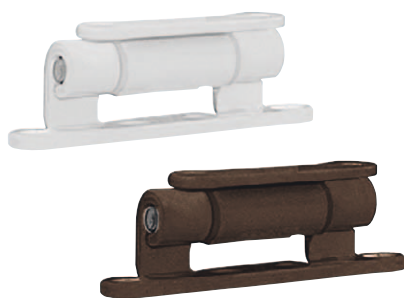
Window hinge with fixed threaded pin
 Threaded pin Ø 7 mm, concealed screw fixture. Screw fixed frameplate made of powder coated galvanised steel.

Width: 15 mm
 Length: 60 mm
 Socket diameter: **15 mm**
 ■ Boxed qty.: 1 and 100 pieces

Window hinge with 2 hole screw fixing. Threaded pin 40 mm long.

- 09.641.01 white, maintenance free
- 09.641.02 brown, maintenance free

Jigs and instructions for assembly of the window hinges are available on request.



Screw fixed support hinge

for "tilt only" windows.

Width: 14 mm
 Length: 83 mm
 Socket diameter: **13 mm**
 ■ Boxed qty.: 1 and 20 pieces

16,5 mm

09.007.01 white, maintenance free
 09.007.02 brown, maintenance free



Screw-on hinge for doors,

powder coated zinc alloy,
 stainless steel pin with security screw.

Width: 14 mm
 Length: **100 mm**
 Socket diameter: 14 mm
 ■ Boxed qty.: 1 and 20 pieces

09.105.21 white, maintenance free, straight
 09.105.22 brown, maintenance free, straight*

Jigs for assembly of the window hinges supplied on request.



Screw-on hinge for windows,

powder coated zinc alloy,
 stainless steel pin, zinc alloy.

Width: 14 mm
 Length: **75 mm**
 Socket diameter: 14 mm
 ■ Boxed qty.: 1 and 20 pieces

09.101.010 white, straight
 09.101.020 brown, straight
 09.102.010 white, sloping
 09.102.020 brown, sloping
 09.102.99 jig



Screw-on hinge for doors,

lateral 2 mm adjustable.
 Powder coated zinc alloy,
 stainless steel pin, zinc alloy.

Width: 17 mm
 Length: **100 mm**
 Socket diameter: 17 mm
 ■ Boxed qty.: 20 pieces

09.108.01 white, straight
 09.108.02 brown, straight
 09.110.99 jig

* on request

Inward opening windows

1A

In Planning

1B

In Planning

1C

Outward opening windows

1D

Top hung and bottom hung window, fan light

1E

Window handles, wedges, snap-in keeps, pull handles, miscellaneous

1F

Door fittings

2

Accessories and consumable items

3

In Planning

Inward opening windows

1A

In Planning

1B

In Planning

1C

Outward opening windows

1D

Top hung and bottom hung window, fan light

1E

Window handles, wedges, snap-in keeps, pull handles, miscellaneous

1F

Door fittings

2

Accessories and consumable items

3

In Planning

Inward opening windows

1A

In Planning

1B

In Planning

1C

Outward opening windows

1D

Top hung and bottom hung window, fan light

1E

Window handles, wedges, snap-in keeps, pull handles, miscellaneous

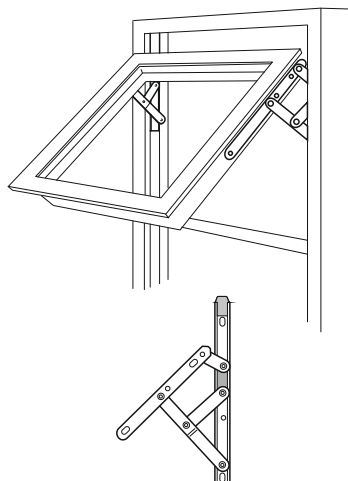
1F

Door fittings

2

Accessories and consumable items

3



■ Boxed qty: 25 pairs

**Friction hinges
stainless steel, top hung, 13 mm height**

31.163.01	size 8", 200 mm length, 12 kg sash weight, opening angle 60°*
31.163.02	size 10", 250 mm length, 14 kg sash weight, opening angle 60°*
31.163.03	size 12", 300 mm length, 16 kg sash weight, opening angle 65°*
31.163.04	size 16", 400 mm length, 20 kg sash weight, opening angle 65°*
31.163.05	size 20", 500 mm length, 24 kg sash weight, opening angle 50°*
31.163.06	size 24", 600 mm length, 27 kg sash weight, opening angle 50°*

**Friction hinges
stainless steel, top hung, 17 mm height**

31.163.11	size 8", 200 mm length, 12 kg sash weight, opening angle 60°*
31.163.12	size 10", 250 mm length, 14 kg sash weight, opening angle 60°*
31.163.13	size 12", 300 mm length, 16 kg sash weight, opening angle 65°*
31.163.14	size 16", 400 mm length, 20 kg sash weight, opening angle 65°*
31.163.15	size 20", 500 mm length, 24 kg sash weight, opening angle 50°*
31.163.16	size 24", 600 mm length, 27 kg sash weight, opening angle 50°*

**Friction hinges
stainless steel, side hung, 13 mm height**

31.164.01	size 12", 22 kg sash weight, opening angle 55°*
31.164.02	size 16", 24 kg sash weight, opening angle 65°*

**Friction hinges
stainless steel, side hung, 17 mm height**

31.164.11	size 12", 22 kg sash weight, opening angle 55°*
31.164.12	size 16", 24 kg sash weight, opening angle 65°*

Handles white

Width: 16,5 mm
 Length: 78 mm
 ■ Boxed qty: 1 and 10 pieces

10.034.13	left, right, pin 30 mm*
10.034.03	lockable
10.034.05	with push button

More handles for outward opening windows please see page 1-F-0160.

* on request.

Inward opening windows

1A

In Planning

1B

In Planning

1C

Outward opening windows

1D

Top hung and bottom hung window, fan light

1E

Window handles, wedges, snap-in keeps, pull handles, miscellaneous

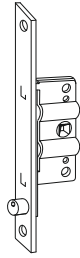
1F

Door fittings

2

Accessories and consumable items

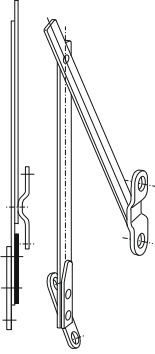
3



Single cam lock, SilverLine,
1 roller cam, 16 mm faceplate.

Backset: 15 mm
 ■ Boxed qty.: 1 and 10 pieces

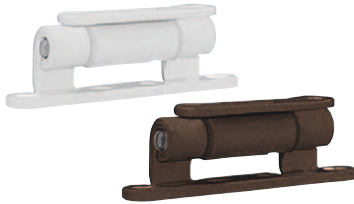
02.006.02



Rebate stay, SilverLine,
concealed inside rebate.

■ Boxed qty.: 1 and 10 pairs

31.617.00



Screw-fixed support hinge

■ Boxed qty.: 1 and 20 pieces

09.007.01 white
 09.007.02 brown

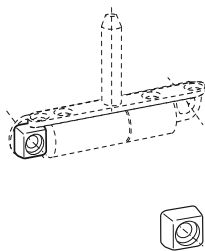


Screw-on hinges for doors
 Powder coated zinc alloy,
 stainless steel pin with security screw.

Width: 14 mm
 Length: **100 mm**
 Socket diameter: 14 mm
 ■ Boxed qty.: 1 and 20 pieces

09.105.21 white, maintenance free, straight
 09.105.22 brown, maintenance free, straight*

Jigs for assembly of the window hinges supplied on request.



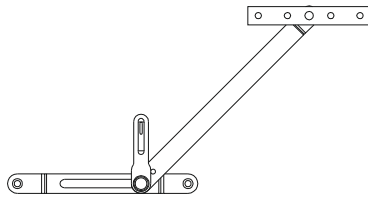
„Trick 17“

For a bottom hung sash you can use hinges
 (09.008.01) together with a stop nut.

■ Boxed qty.: 1 and 100 pieces

Stop nut

01.901.01 white
 01.901.02 brown



Top scissor, concealed,

horizontally holds the window open in a tilted position of 25°. The scissor can be used with Schüring t/t gears or espagnolettes. System related support plates have been integrated as frame plates.

Manually releasable (e.g. for cleaning).

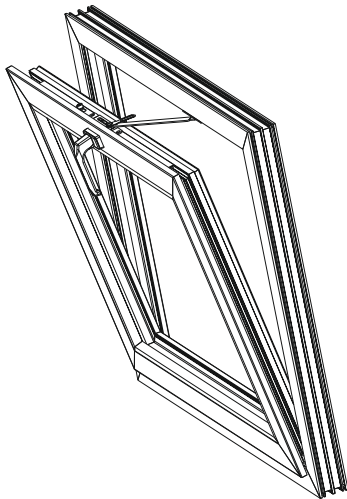
N.B.: The scissor can only be applied from a gear size of 710.

Colour: **Silverline**

Sash weight: max. 25 kg

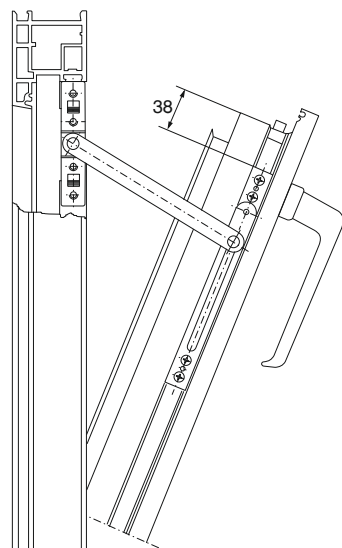
■ Boxed qty.: 1 and 20 pieces

With support, is suitable for the systems listed below



- 31.803.83 Almex Doral, Salamander
- 31.803.84 Dimat 60-MD 45, Finstral, Rehau S701-707, Roplasto, Schüco Vartan 60, Wymar
- 31.803.85 Danum Windows, Deceuninck 1800, Gealan 3000, Internorm, KBE, LB Sheerframe, Marshall Tufflex, Pensa Istanbul, Plastmo 2000, Primoplast, Range Valley UK, Regency, Roplasto, Sapphire-Scope, Spectus, Trocal, Veka MD, Winsol
- 31.803.86 Veka System 85
- 31.803.87 National-Profile, Roplasto 7100, Thyssen L10-Z10, Thyssen AD
- 31.803.88 Deceuninck, Hocoplast, Holz 11, Salamander, Thyssen, Vekaplast-Schrägalz,
- 31.803.89 Aluplast, Deceuninck 1200/1700, Knipping SK5000
- 31.803.90 LB-Contract 50, LB Profile PAD
- 31.803.92 Pural, Salamander Universal MD, Veka SF + 2000
- 31.803.93 Austro-Plast, Deceuninck 800, Rehau S706, Salamander Universal, Schüco AS
- 31.803.94 Deceuninck 800, Winsol Actuell
- 31.803.95 Brüggmann Euro 92, Deceuninck, Gealan, Rehau S711/S730, Veka Softline, LB Profile PAD
- 31.803.96 Aluplast, Europlast, Finstral Serie Pural
- 31.803.97 Kömmerling VS/F35

When ordering please state profile system, sash and frame number.



Ventilation restrictor stays

concealed horizontally, holds the window open in a tilted position of 25°. Can be manually unlocked (eg. for cleaning).

31.607.01

Colour: **SilverLine**
 Sash rebate height: 280-370 mm
 Sash weight: max. 25 kg
 ■ Boxed qty.: 1 and 25 pieces

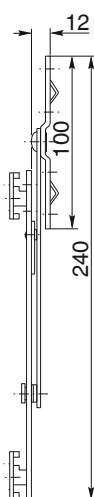
Cleaning stays

concealed horizontally, holds the window open in a 90° position.

Size 0

31.015.00

Colour: **SilverLine**
 Sash rebate height: 280-500 mm
 Sash weight: max. 25 kg
 ■ Boxed qty.: 1 and 25 pieces



Size I

31.015.01

Colour: **SilverLine**
 Sash rebate height: 500-850 mm
 Sash weight: max. 25 kg
 ■ Boxed qty.: 1 and 25 pieces

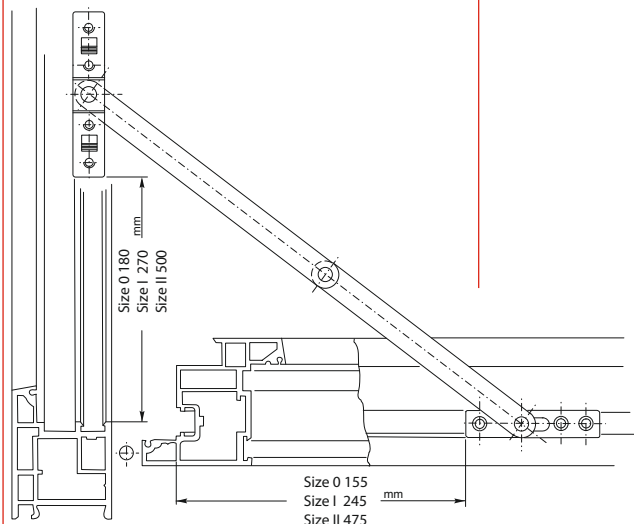
Size II

31.015.02

Colour: **SilverLine**
 Sash rebate height: 850-1.200 mm
 Sash weight: max. 25 kg
 ■ Boxed qty.: 1 and 25 pieces

Frame plates

Profile dependent*



* on request.

Espagnolettes see pages 1-A.
 When ordering state profile system, sash and outer frame number.



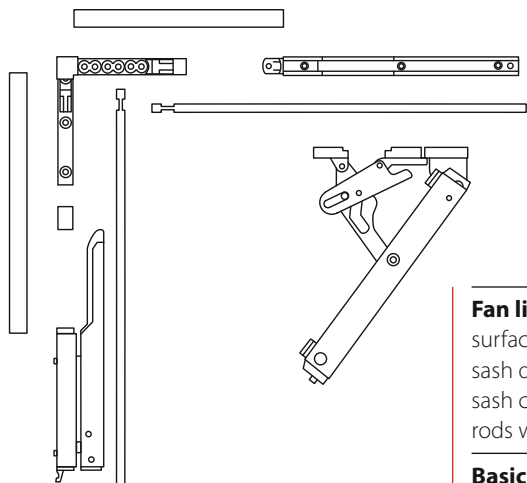
- Easy installation
The system is completely pre-assembled
- 3 point locking
The scissor is fitted with an additional third lock, which increases the contact pressure, which in turn increases the heat retention and improves burglar resistance. The closure pressure on the casement frame has variable adjustment, contact inaccuracies even themselves out automatically.
- Security and durability
The optional internal hexagonal screw prevents an unauthorised releasing of the scissor, the casement hinge is fitted with a security button; the steel mushroom-headed cams slot into security striker plates. And so all the high standards demanded by the SKG*, SHR* and WK2 have been fulfilled. All functioning parts are made of highly corrosion-resistant steel; the anti-dirt fluting of the scissor ensures a smooth operation and a long life span.
- Universal application
The electric fan light opener is available in two designs (24 V or 230 V) and is suitable for windows with a single or double scissor with a glass weight of upto 40 kg/m².

sash rebate height: from 300 mm
sash rebate weight: 500-1.450 mm (1 scissor)
sash rebate weight: 1.450-2.400 mm (2 scissors)

Electric fan light opener

30.103.01	230 V white*
30.103.02	230 V black*
30.104.01	24 V white*

* on request.



Fan light opener

surface fitting, scissor with self adjusting joint, sash detachable, enforced locking, adjustable sash connector, sash safety release, choice of rods with or without cover.

Basic carton

with one scissor, lever and accessories ■ Boxed qty:..... 1 piece

- 30.001.01 Alu, EV1
- 30.001.02 white
- 30.001.03 black

Supplementary carton

with second scissor for wide sashes ■ Boxed qty:..... 1 piece

- 30.002.01 Alu, EV1
- 30.002.02 white
- 30.002.03 black

Rods

Ø 8 mm ■ Boxed qty:..... 1 piece

- 30.020.00 2.000 mm
- 30.030.00 3.000 mm

Fan light opener, concealed horizontally on request.

LM Cover profiles

for covering the rods.

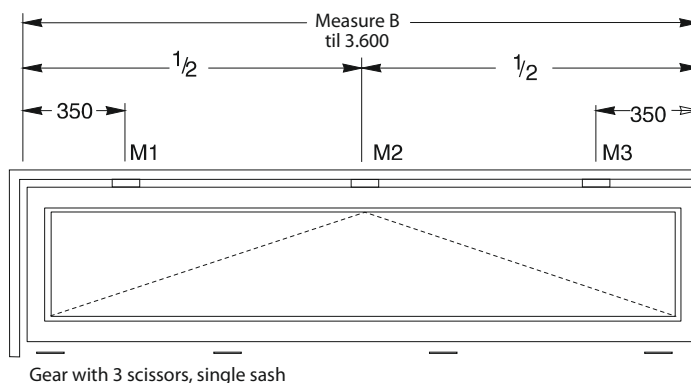
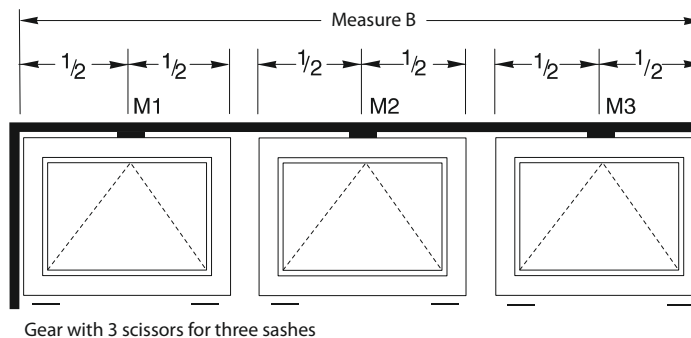
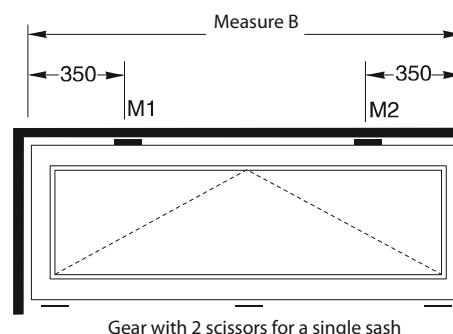
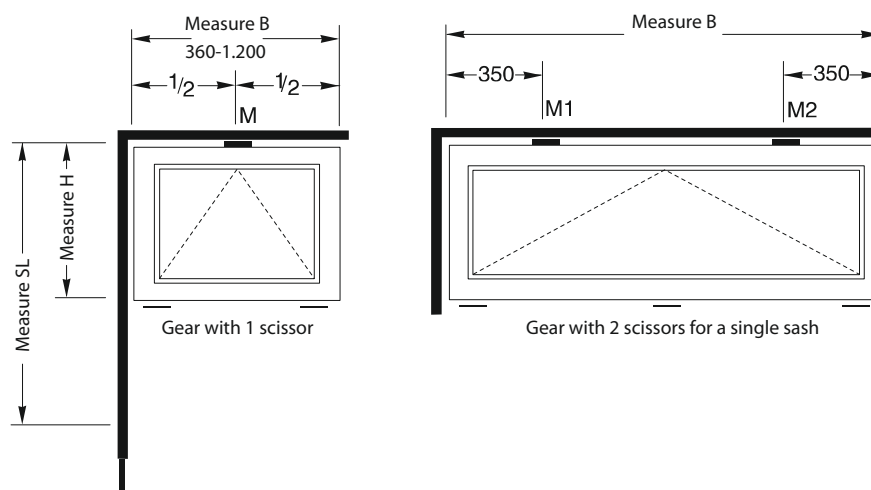
■ Boxed qty: 1 piece

30.020.01 2.000 mm EV1
 30.030.01 3.000 mm EV1
 30.060.011 5.000 mm EV1

30.020.02 2.000 mm white
 30.030.02 3.000 mm white
 30.030.031 6.010 mm white

30.020.03 2.000 mm black
 30.030.03 3.000 mm black
 30.060.021 6.000 mm black

30.098.02 Jig



1A

1B

1C

1D

1E

1F

2

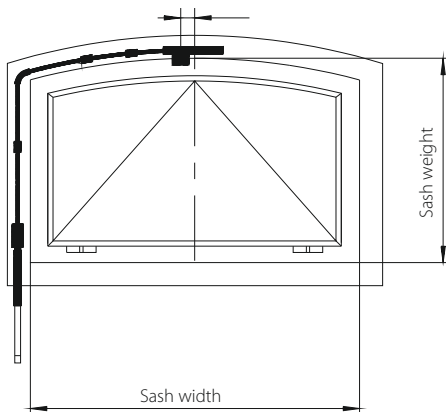
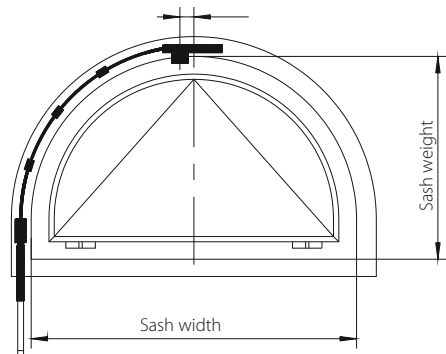
3

Fan Light Opener for Arched Windows

face fitting

Window-Technology

1-E-0210



Fan light opener

With flexible rods for bottom hung sashes, inwards opening, as curved or flat arched system, detachable sash. Non-handed operation.

Sash height: from 250 mm

Sash weight: max. 80 kg

■ Boxed qty.: 1 piece

Supplementary carton with 1 scissor

30.002.01	Alu, EV1
30.002.02	white
30.002.03	black

LM Lever

30.090.01	Alu, EV1*
30.090.02	white
30.090.03	blackbrown*

Rods Ø 8 mm

30.020.00	2.000 mm
30.030.00	3.000 mm

Cover profiles for the rods

30.020.01	2.000 mm, EV1
30.030.01	3.000 mm, EV1
30.020.02	2.000 mm, white
30.030.02	3.000 mm, white
30.020.03	2.000 mm, black
30.030.03	3.000 mm, black

Flexible rods

30.060.11	700 mm, white
30.060.21	1.000 mm, white
30.060.31	1.250 mm, white

*on request.

1A

1B

1C

1D

1E

1F

2

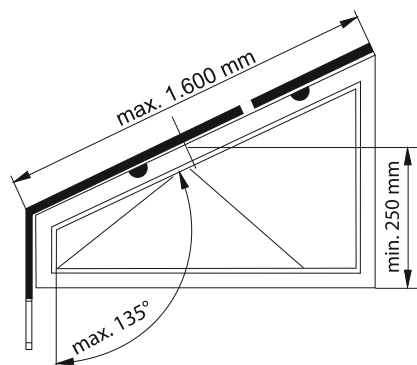
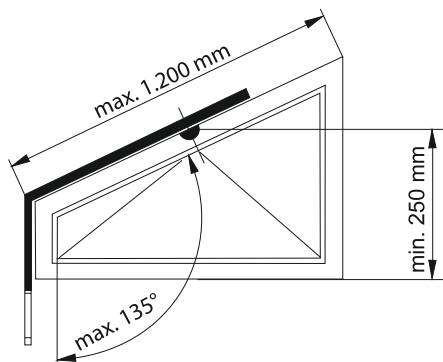
3

Fan Light Opener for Sloping Window

face fitting, max. 135°

Window-Technology

1-E-0215



Fan light opener

Face fitting. Scissor with 4 enforced locks, detachable sash, reversible operation, max. sash width 1.200 mm, applicable for 91° to 135°.

Basic Carton SW (sloping window) with 1 scissor & lever, flexible corner-slider and accessories.

Sash weight: max. 80 kg

■ Boxed qty.: 1 piece

Basic carton

30.011.01	Alu, EV1*
30.011.02	white
30.011.03	black brown*

Supplementary carton with extra locking mechanism for sashes of upto a width of 1.600 mm

30.091.01	Alu, EV1*
30.091.02	white
30.091.03	black brown*

Rods Ø 8 mm

30.020.00	2.000 mm
30.030.00	3.000 mm

Cover profiles for the rods

30.020.01	2.000 mm, EV1
30.030.01	3.000 mm, EV1
30.020.02	2.000 mm, white
30.030.02	3.000 mm, white
30.020.03	2.000 mm, black
30.030.03	3.000 mm, black

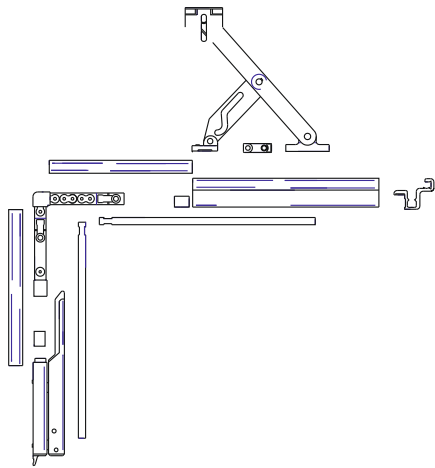
*on request.

Fan Light Opener for Top Hung Sashes

face fitting, outward opening

Window-Technology

1-E-0220



Surface-fitted opener

for top hung sashes with LM-rods.
Scissor with extra locking mechanism.
Reversible. Non-handed operation.

Sash height: from 250 mm
Sash weight: max. 80 kg
■ Boxed qty.: 1 piece

Basic carton with 1 scissor

30.101.01	Alu, EV1*
30.101.02	white
30.101.03	black brown*

Supplementary carton with second scissor

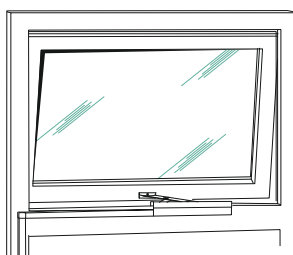
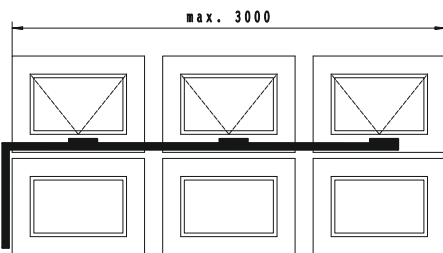
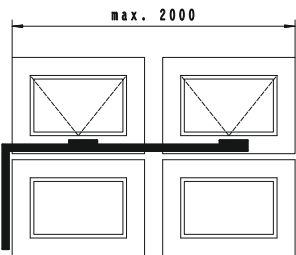
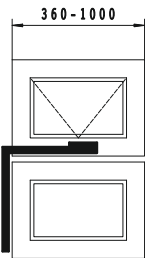
30.102.01	Alu, EV1*
30.102.02	white
30.102.03	black brown*

Rods Ø 8 mm

30.020.00	2.000 mm
30.030.00	3.000 mm

Cover profiles for the rods

30.020.01	2.000 mm, EV1
30.030.01	3.000 mm, EV1
30.020.02	2.000 mm, white
30.030.02	3.000 mm, white
30.020.03	2.000 mm, black
30.030.03	3.000 mm, black



*on request.

1A

1B

1C

1D

1E

1F

2

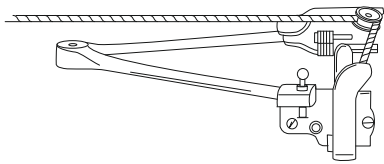
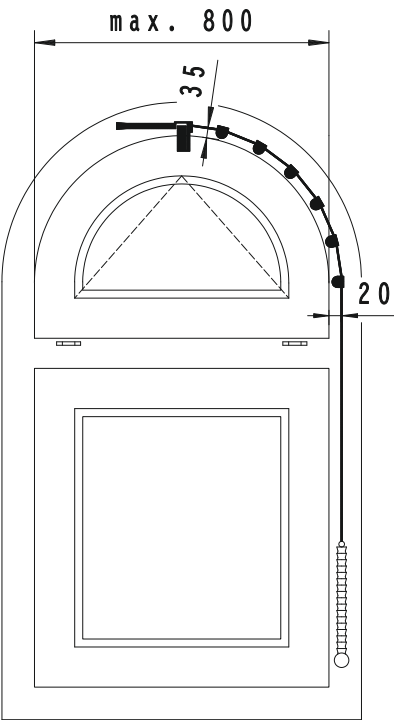
3

Cord Operated-Fan Light Opener

for small and medium sized Bottom Hung Sashes, outside opening

Window-Technology

1-E-0230



Spring operated scissor (lever) with perlon.
Traction cord and adjusting chain.
Push-back operation.
Wedge-release device.

Sash width: max. 800 mm
Opening span: 240-300 mm
Traction cord: 2.000 mm
■ Boxed qty.: 1 piece

Cord operated opener

30.095.01 right/left

1A

1B

1C

1D

1E

1F

2

3

Window fittings

Inward opening windows

1A

In Planning

1B

In Planning

1C

Outward opening windows

1D

Top hung and bottom hung window, fan light

1E

Window handles, wedges, snap-in keeps, pull handles, miscellaneous

1F

Door fittings

2

Accessories and consumable items

3



MTR-Handle

with position stop, incl. 2 handle screws.

Rose width: 28 mm
Length: 65 mm
Spindle length: **38 mm**
Handle screws: 45 mm
■ Boxed qty.: 100 pieces

MTR-R-Handle, 90° position stop

10.330.21 EV1
10.330.221 brown
10.330.231 white

MTR-R-Handle, 90° position stop, lockable

10.351.111 EV1
10.351.121 brown
10.351.131 white

■ lockable, with push button, see page 1-F-0100

1A

1B

1C

1D

1E

1F

2

3



MTR-Handle

with position stop, incl. 2 handle screws.

Rose width: 28 mm
 Length: 65 mm
 Spindle length: **38 mm**
 Handle screws: 45 mm
 ■ Boxed qty.: 25 pieces

MTR-A-Handle, 90° position stop

10.330.21	EV1 (Boxed qty.:100 pieces)
10.330.22	brown
10.330.23	white, RAL 9016
10.330.29	cream white



MTR-ZD-Handle, 90° position stop

10.352.04	chrome matt
10.352.05	brass effect
10.352.06	grey-brown metallic
10.352.07	stainless steel effect
10.352.08	nickel plated satin effect
10.352.09	bronze
10.352.10	Titan



MTR-ZD-Handle, 90° position stop, lockable

10.351.111	EV1
10.351.10	cream white, RAL 9001
10.351.12	brown
10.351.13	white, RAL 9016
10.352.14	chrome matt*
10.352.15	brass effect*
10.352.16	grey-brown metallic*
10.352.17	stainless steel effect*
10.352.18	nickel plated satin effect*
10.352.19	bronze*
10.352.20	Titan*



MTR-ZD-Handle, 90° position stop, with push button

10.354.02	brown
10.354.03	white, RAL 9016
10.354.04	chrome matt*
10.354.05	brass effect*
10.354.06	grey-brown metallic*
10.354.07	stainless steel effect*
10.354.08	nickel plated satin effect*
10.354.09	bronze*

* on request.

MTR-A = Aluminium
 MTR-ZD = Zinc diecast



MTR-Handle

with position stop, incl. 2 handle screws.

Rose width: 28 mm
Length: 65 mm
Spindle length: **40 mm**
Handle screws: 45 mm
■ Boxed qty.: 25 pieces

MTR-A-Handle, 90° position stop

10.330.31 EV1 (Boxed qty.:100 pieces)
10.330.32 brown
10.330.33 white
10.330.39 cream white*

MTR-ZD-Handle, 90° position stop

10.362.04 chrome matt
10.362.07 stainless steel effect
10.362.08 nickel plated satin effect



MTR-ZD-Handle, 90° position stop, lockable

10.361.12 brown
10.361.13 white
10.362.14 chrome matt



MTR-ZD-Handle, 90° position stop, with push button

10.364.02 brown
10.364.03 white
10.364.04 chrome matt

* on request.

MTR-A = Aluminium
MTR-ZD = Zinc diecast

MTR-Handles

32 und 35 mm spindle length

Window-Technology

1-F-0110



MTR-Handle

with position stop, incl. 2 handle screws.

Rose width: 28 mm
Length: 65 mm
Spindle length: **32 mm**
Handle screws: 40 mm
■ Boxed qty.: 25 pieces

MTR-A-Handle, 90° position stop

10.330.02 brown
10.330.03 white
10.330.09 cream white*



MTR-ZD-Handle, 90° position stop, lockable

10.341.12 brown
10.341.13 white



MTR-Handle

with position stop, incl. 2 handle screws.

Rose width: 28 mm
Length: 65 mm
Spindle length: **35 mm**
Handle screws: 40 mm
■ Boxed qty.: 25 pieces

MTR-A-Handle, 90° position stop

10.330.12 brown
10.330.13 white
10.330.19 cream white*

* on request.

MTR-A = Aluminium
MTR-ZD = Zinc diecast

1A

1B

1C

1D

1E

1F

2

3



MTR-Handle

with position stop, incl. 2 handle screws.

Rose width: 28 mm
Length: 65 mm
Spindle length: **45 mm**
Handle screws: 55 mm
■ Boxed qty.: 25 pieces

MTR-A-Handle, 90° position stop

10.330.42 brown
10.330.43 white
10.330.49 cream white*

MTR-ZD-Handle, 90° position stop

10.372.07 stainless steel effect*
01.035.2050 brass effect



MTR-ZD-Handle, 90° position stop, lockable

10.371.12 brown*
10.371.13 white*



MTR-ZD-Handle, 90° position stop, with push button

10.374.03 white



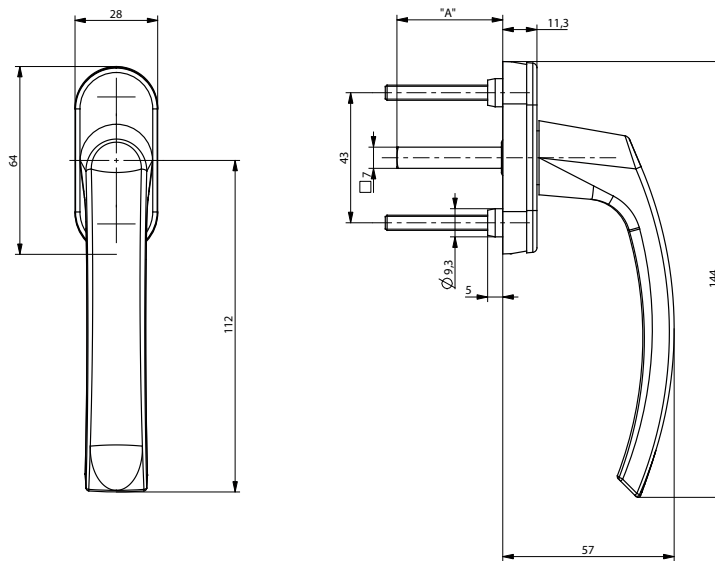
MTR-Handle

with position stop, incl. 2 handle screws.

Rose width: 28 mm
 Rose length: 64 mm
 Handle screws: M5 x 45 mm
 Distance screws: 43 mm
 ■ Boxed qty.: 160 pieces

MTR-K-Handle, 90° position stop

Set		Spindle length "A"	Screw length
10.332.020	brown	40 mm	38 mm
10.332.030	white	40 mm	38 mm
10.332.031	white	38 mm	38 mm
10.332.032	white	45 mm	38 mm

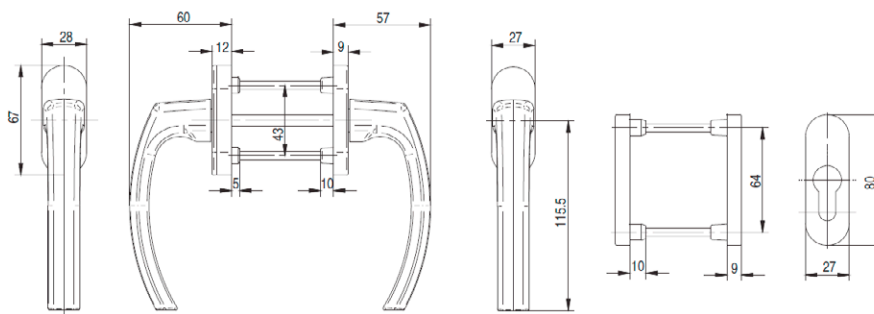


MTR-A = Aluminium
 MTR-ZD = Zinc diecast
 MTR-K = Plastic

MTR-Balcony door handles, 90° position stop, composed of inside handle with clip-rose, outside handle with cast rose and PZ-pair of roses.

Material: Aluminium
 Spindle: 7 mm
 Door thickness: 55 - 80 mm
 Rose width: 28 mm
 Length: 67 mm
 ■ Boxed qty.: 1 piece

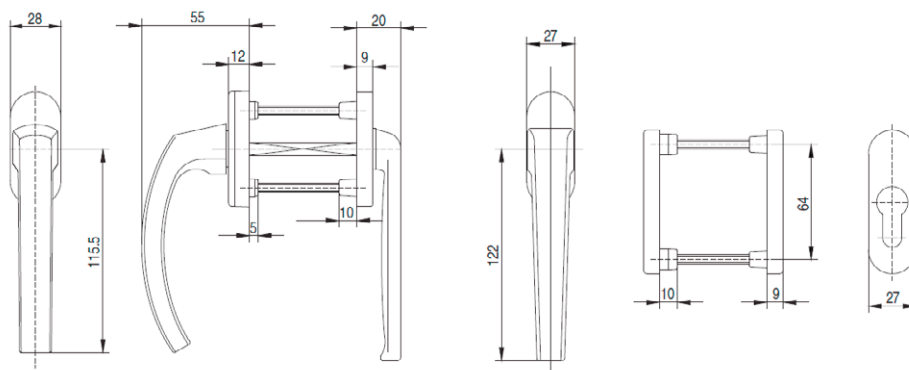
- 10.600.01 EV1
- 10.600.02 brown
- 10.600.03 white



MTR-Balcony door handles, 90° position stop, composed of inside handle with clip-rose, flat outside handle with cast rose and PZ-pair of roses.

Material: Aluminium
 Pin: 7 mm
 Door thickness: 55 - 80 mm
 Rose width: 28 mm
 Length: 67 mm
 ■ Boxed qty.: 1 piece

- 10.601.11 EV1 for roller shutters
- 10.601.12 brown for roller shutters
- 10.601.13 white for roller shutters



* on request.

MTG-Handle

Aluminium handle with a position stop and spindle length of 32 mm incl. 2 handle screws.

Rose width: 28 mm
 Length: 65 mm
 Spindle length: **32 mm**
 Handle screws: 40 mm
 ■ Boxed qty.: 50 pieces

- 10.305.01 EV1, 90° position stop*
- 10.305.02 brown, 90° position stop*
- 10.305.03 white, 90° position stop*
- 10.305.11 EV1, lockable, 90° position stop*
- 10.305.12 brown, lockable 90° position stop*
- 10.305.13 white, lockable, 90° position stop*
- 10.305.030 white, lockable 45° position stop*



MTG-Handle

Aluminium handle with a position stop and spindle length of 35 mm incl. 2 handle screws.

Rose width: 28 mm
 Length: 65 mm
 Spindle length: **35 mm**
 Handle screws: 40 mm
 ■ Boxed qty.: 50 pieces

- 10.315.01 EV1, 90°*
- 10.315.02 brown, 90°
- 10.315.03 white, 90°
- 10.315.11 EV1, lockable 90° position stop*
- 10.315.12 brown, lockable 90° position stop*
- 10.315.13 white, lockable 90° position stop*



MTG-Handle

Aluminium handle with a position stop and spindle length of 40 mm incl. 2 handle screws.

Rose width: 28 mm
 Length: 65 mm
 Spindle length: **40 mm**
 Handle screws: 45 mm
 ■ Boxed qty.: 50 pieces

MTG-Handle

- 10.325.01 EV1, 90° position stop*
- 10.325.02 brown, 90° position stop*
- 10.325.03 white, 90° position stop*
- 10.325.11 EV1, lockable 90° position stop*
- 10.325.12 brown, lockable 90° position stop*
- 10.325.13 white, lockable 90° position stop*

* on request.



Special handle
with position stop.
Modern design with offset-rose.

Rose width: 16 mm
Length: 78 mm
■ Boxed qty.: 1 piece

Handle

10.034.13 white



Rose width: 16 mm
Length: 78 mm
■ Boxed qty.: 1 piece

Handle, lockable

10.034.03 white
11.612.020 white, right 40 mm*
11.632.020 white, left 50 mm*

1A

1B

1C

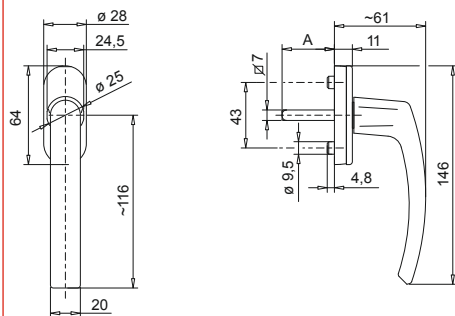
1D

1E

1F

2

3



MTR-ALP-Handles,
with position stop, incl. 2 handle screws.

Material: Aluminium
Surface: Powder coated
■ Boxed qty.: 100 pieces

90° position stop

45° position stop

Spindle length 32 mm

10.381.003	white RAL 9016	10.381.503	white RAL 9016
10.381.002	grey-brown RAL 8019	10.381.502	grey-brown RAL 8019
10.381.001	silver	10.381.501	silver
10.381.009	cream white RAL 9001	10.381.509	cream white RAL 9001
10.381.010	titanium	10.381.510	titanium
10.381.007	satin	10.381.507	satin

Spindle length 35 mm

10.381.103	white RAL 9016	10.381.603	white RAL 9016
10.381.102	grey-brown RAL 8019	10.381.602	grey-brown RAL 8019
10.381.101	silver	10.381.601	silver
10.381.109	cream white RAL 9001	10.381.609	cream white RAL 9001
10.381.110	titanium	10.381.610	titanium
10.381.107	satin	10.381.607	satin

Spindle length 37 mm

10.385.103	white RAL 9016	10.385.603	white RAL 9016
10.385.102	grey-brown RAL 8019	10.385.602	grey-brown RAL 8019
10.385.101	silver	10.385.601	silver
10.385.109	cream white RAL 9001	10.385.609	cream white RAL 9001
10.385.110	titanium	10.385.610	titanium
10.385.107	satin	10.385.607	satin

Spindle length 38 mm

10.381.203	white RAL 9016	10.381.703	white RAL 9016
10.381.202	grey-brown RAL 8019	10.381.702	grey-brown RAL 8019
10.381.201	silver	10.381.701	silver
10.381.209	cream white RAL 9001	10.381.709	cream white RAL 9001
10.381.210	titanium	10.381.710	titanium
10.381.207	satin	10.381.707	satin

Spindle length 40 mm

10.381.303	white RAL 9016	10.381.803	white RAL 9016
10.381.302	grey-brown RAL 8019	10.381.802	grey-brown RAL 8019
10.381.301	silver	10.381.801	silver
10.381.309	cream white RAL 9001	10.381.809	cream white RAL 9001
10.381.310	titanium	10.381.810	titanium
10.381.307	satin	10.381.807	satin

Spindle length 42 mm

10.385.003	white RAL 9016	10.385.503	white RAL 9016
10.385.002	grey-brown RAL 8019	10.385.502	grey-brown RAL 8019
10.385.001	silver	10.385.501	silver
10.385.009	cream white RAL 9001	10.385.509	cream white RAL 9001
10.385.010	titanium	10.385.510	titanium
10.385.007	satin	10.385.507	satin

Spindle length 45 mm

10.381.403	white RAL 9016	10.381.903	white RAL 9016
10.381.402	grey-brown RAL 8019	10.381.902	grey-brown RAL 8019
10.381.401	silver	10.381.901	silver
10.381.409	cream white RAL 9001	10.381.909	cream white RAL 9001
10.381.410	titanium	10.381.910	titanium
10.381.407	satin	10.381.907	satin

1A

1B

1C

1D

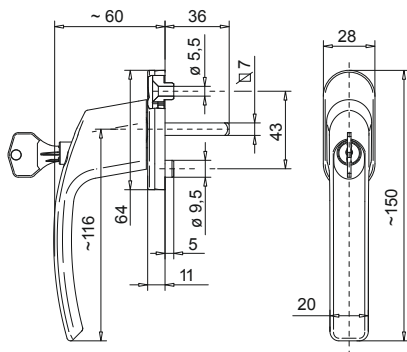
1E

1F

2

3

4



MTR-ALP-Handles lockable,
with position stop, incl. 2 handle screws.

Material: Aluminium
Surface: Powder coated
Boxed qty: 10 pieces

90° position stop

45° position stop

Spindle length 32 mm

10.382.003	white RAL 9016	10.382.503	white RAL 9016
10.382.002	grey-brown RAL 8019	10.382.502	grey-brown RAL 8019
10.382.001	silver	10.382.501	silver
10.382.009	cream white RAL 9001	10.382.509	cream white RAL 9001
10.382.010	titanium	10.382.510	titanium
10.382.007	satin	10.382.507	satin

Spindle length 35 mm

10.382.103	white RAL 9016	10.382.603	white RAL 9016
10.382.102	grey-brown RAL 8019	10.382.602	grey-brown RAL 8019
10.382.101	silver	10.382.601	silver
10.382.109	cream white RAL 9001	10.382.609	cream white RAL 9001
10.382.110	titanium	10.382.610	titanium
10.382.107	satin	10.382.607	satin

Spindle length 37 mm

10.386.103	white RAL 9016	10.386.603	white RAL 9016
10.386.102	grey-brown RAL 8019	10.386.602	grey-brown RAL 8019
10.386.101	silver	10.386.601	silver
10.386.109	cream white RAL 9001	10.386.609	cream white RAL 9001
10.386.110	titanium	10.386.610	titanium
10.386.107	satin	10.386.607	satin

Spindle length 38 mm

10.382.203	white RAL 9016	10.382.703	white RAL 9016
10.382.202	grey-brown RAL 8019	10.382.702	grey-brown RAL 8019
10.382.201	silver	10.382.701	silver
10.382.209	cream white RAL 9001	10.382.709	cream white RAL 9001
10.382.210	titanium	10.382.710	titanium
10.382.207	satin	10.382.707	satin

Spindle length 40 mm

10.382.303	white RAL 9016	10.382.803	white RAL 9016
10.382.302	grey-brown RAL 8019	10.382.802	grey-brown RAL 8019
10.382.301	silver	10.382.801	silver
10.382.309	cream white RAL 9001	10.382.809	cream white RAL 9001
10.382.310	titanium	10.382.810	titanium
10.382.307	satin	10.382.807	satin

Spindle length 42 mm

10.386.003	white RAL 9016	10.386.503	white RAL 9016
10.386.002	grey-brown RAL 8019	10.386.502	grey-brown RAL 8019
10.386.001	silver	10.386.501	silver
10.386.009	cream white RAL 9001	10.386.509	cream white RAL 9001
10.386.010	titanium	10.386.510	titanium
10.386.007	satin	10.386.507	satin

Spindle length 45 mm

10.382.403	white RAL 9016	10.382.903	white RAL 9016
10.382.402	grey-brown RAL 8019	10.382.902	grey-brown RAL 8019
10.382.401	silver	10.382.901	silver
10.382.409	cream white RAL 9001	10.382.909	cream white RAL 9001
10.382.410	titanium	10.382.910	titanium
10.382.407	satin	10.382.907	satin

1A

1B

1C

1D

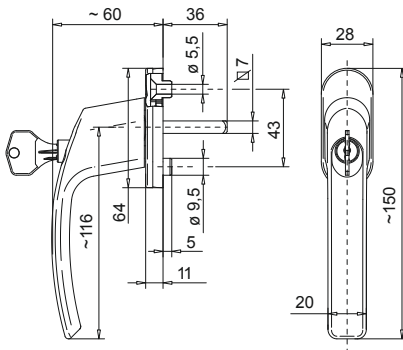
1E

1F

2

3

4



MTR-ALP-Handles, 100 Nm, lockable,
with position stop, incl. 2 handle screws.

Material: Aluminium
Surface: Powder coated
Boxed qty.: 10 pieces

90° position stop

45° position stop

Spindle length 32 mm

10.384.003	white RAL 9016	10.384.503	white RAL 9016
10.384.002	grey-brown RAL 8019	10.384.502	grey-brown RAL 8019
10.384.001	silver	10.384.501	silver
10.384.009	cream white RAL 9001	10.384.509	cream white RAL 9001
10.384.010	titanium	10.384.510	titanium
10.384.007	satın	10.384.507	satın

Spindle length 35 mm

10.384.103	white RAL 9016	10.384.603	white RAL 9016
10.384.102	grey-brown RAL 8019	10.384.602	grey-brown RAL 8019
10.384.101	silver	10.384.601	silver
10.384.109	cream white RAL 9001	10.384.609	cream white RAL 9001
10.384.110	titanium	10.384.610	titanium
10.384.107	satın	10.384.607	satın

Spindle length 37 mm

10.388.103	white RAL 9016	10.388.603	white RAL 9016
10.388.102	grey-brown RAL 8019	10.388.602	grey-brown RAL 8019
10.388.101	silver	10.388.601	silver
10.388.109	cream white RAL 9001	10.388.609	cream white RAL 9001
10.388.110	titanium	10.388.610	titanium
10.388.107	satın	10.388.607	satın

Spindle length 38 mm

10.384.203	white RAL 9016	10.384.703	white RAL 9016
10.384.202	grey-brown RAL 8019	10.384.702	grey-brown RAL 8019
10.384.201	silver	10.384.701	silver
10.384.209	cream white RAL 9001	10.384.709	cream white RAL 9001
10.384.210	titanium	10.384.710	titanium
10.384.207	satın	10.384.707	satın

Spindle length 40 mm

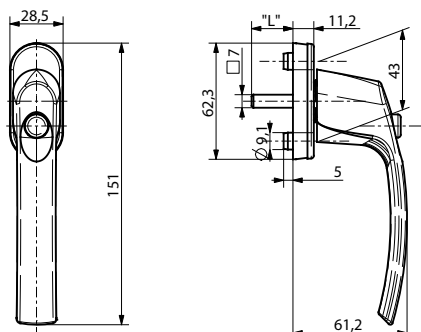
10.384.303	white RAL 9016	10.384.803	white RAL 9016
10.384.302	grey-brown RAL 8019	10.384.802	grey-brown RAL 8019
10.384.301	silver	10.384.801	silver
10.384.309	cream white RAL 9001	10.384.809	cream white RAL 9001
10.384.310	titanium	10.384.810	titanium
10.384.307	satın	10.384.807	satın

Spindle length 42 mm

10.388.003	white RAL 9016	10.388.503	white RAL 9016
10.388.002	grey-brown RAL 8019	10.388.502	grey-brown RAL 8019
10.388.001	silver	10.388.501	silver
10.388.009	cream white RAL 9001	10.388.509	cream white RAL 9001
10.388.010	titanium	10.388.510	titanium
10.388.007	satın	10.388.507	satın

Spindle length 45 mm

10.384.403	white RAL 9016	10.384.903	white RAL 9016
10.384.402	grey-brown RAL 8019	10.384.902	grey-brown RAL 8019
10.384.401	silver	10.384.901	silver
10.384.409	cream white RAL 9001	10.384.909	cream white RAL 9001
10.384.410	titanium	10.384.910	titanium
10.384.407	satın	10.384.907	satın



MTR-ALP-Handles with push button,
with position stop, incl. 2 handle screws.

Material: Aluminium
Surface: Powder coated
Boxed qty.: 10 pieces

90° position stop

45° position stop

Spindle length 32 mm

10.383.003	white RAL 9016	10.383.503	white RAL 9016
10.383.002	grey-brown RAL 8019	10.383.502	grey-brown RAL 8019
10.383.001	silver	10.383.501	silver
10.383.009	cream white RAL 9001	10.383.509	cream white RAL 9001
10.383.010	titanium	10.383.510	titanium
10.383.007	satin	10.383.507	satin

Spindle length 35 mm

10.383.103	white RAL 9016	10.383.603	white RAL 9016
10.383.102	grey-brown RAL 8019	10.383.602	grey-brown RAL 8019
10.383.101	silver	10.383.601	silver
10.383.109	cream white RAL 9001	10.383.609	cream white RAL 9001
10.383.110	titanium	10.383.610	titanium
10.383.107	satin	10.383.607	satin

Spindle length 37 mm

10.387.103	white RAL 9016	10.387.603	white RAL 9016
10.387.102	grey-brown RAL 8019	10.387.602	grey-brown RAL 8019
10.387.101	silver	10.387.601	silver
10.387.109	cream white RAL 9001	10.387.609	cream white RAL 9001
10.387.110	titanium	10.387.610	titanium
10.387.107	satin	10.387.607	satin

Spindle length 38 mm

10.383.203	white RAL 9016	10.383.703	white RAL 9016
10.383.202	grey-brown RAL 8019	10.383.702	grey-brown RAL 8019
10.383.201	silver	10.383.701	silver
10.383.209	cream white RAL 9001	10.383.709	cream white RAL 9001
10.383.210	titanium	10.383.710	titanium
10.383.207	satin	10.383.707	satin

Spindle length 40 mm

10.383.303	white RAL 9016	10.383.803	white RAL 9016
10.383.302	grey-brown RAL 8019	10.383.802	grey-brown RAL 8019
10.383.301	silver	10.383.801	silver
10.383.309	cream white RAL 9001	10.383.809	cream white RAL 9001
10.383.310	titanium	10.383.810	titanium
10.383.307	satin	10.383.807	satin

Spindle length 42 mm

10.387.003	white RAL 9016	10.387.503	white RAL 9016
10.387.002	grey-brown RAL 8019	10.387.502	grey-brown RAL 8019
10.387.001	silver	10.387.501	silver
10.387.009	cream white RAL 9001	10.387.509	cream white RAL 9001
10.387.010	titanium	10.387.510	titanium
10.387.007	satin	10.387.507	satin

Spindle length 45 mm

10.383.403	white RAL 9016	10.383.903	white RAL 9016
10.383.402	grey-brown RAL 8019	10.383.902	grey-brown RAL 8019
10.383.401	silver	10.383.901	silver
10.383.409	cream white RAL 9001	10.383.909	cream white RAL 9001
10.383.410	titanium	10.383.910	titanium
10.383.407	satin	10.383.907	satin

1A

1B

1C

1D

1E

1F

2

3

4



MTR-ALP-Handles, Handle/Handle

Pair of handles with position stop, incl. escutcheons for profile cylinder, square and shortenable handle screws.

Material: Aluminium
 Surface: Powder coated
 Boxed qty.: 1 piece

90° position stop

45° position stop

Door thickness 68-77 mm

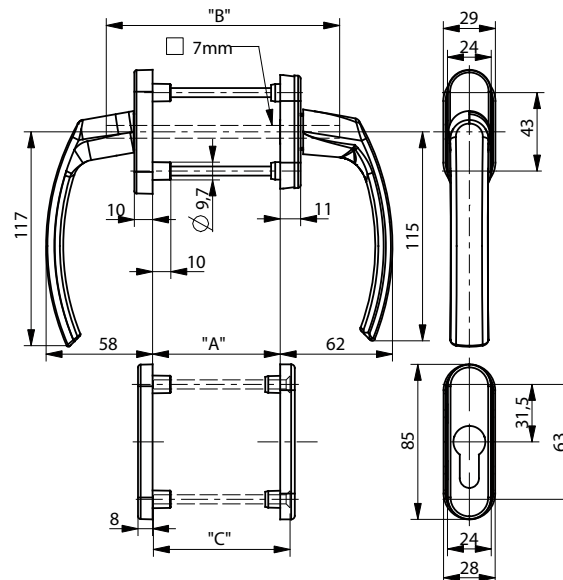
10.390.003	white RAL 9016	10.390.503	white RAL 9016
10.390.002	grey-brown RAL 8019	10.390.502	grey-brown RAL 8019
10.390.001	silver	10.390.501	silver
10.390.009	cream white RAL 9001	10.390.509	cream white RAL 9001
10.390.010	titanium	10.390.510	titanium
10.390.007	satin	10.390.507	satin

Door thickness 78-87 mm

10.390.103	white RAL 9016	10.390.603	white RAL 9016
10.390.102	grey-brown RAL 8019	10.390.602	grey-brown RAL 8019
10.390.101	silver	10.390.601	silver
10.390.109	cream white RAL 9001	10.390.609	cream white RAL 9001
10.390.110	titanium	10.390.610	titanium
10.390.107	satin	10.390.607	satin

Door thickness 88-97 mm

10.390.203	white RAL 9016	10.390.703	white RAL 9016
10.390.202	grey-brown RAL 8019	10.390.702	grey-brown RAL 8019
10.390.201	silver	10.390.701	silver
10.390.209	cream white RAL 9001	10.390.709	cream white RAL 9001
10.390.210	titanium	10.390.710	titanium
10.390.207	satin	10.390.707	satin



MTR-ALP-Handles, Balcony door

Window-Technology

Handle lockable/Handle

1-F-0175



MTR-ALP-Handles, Handle lockable/Handle

Pair of handles with position stop, incl. escutcheons for profile cylinder, square and shortenable handle screws.

Material: Aluminium
Surface: Powder coated
Boxed qty: 1 piece

90° position stop

45° position stop

Door thickness 68-77 mm

10.391.003 white RAL 9016
10.391.002 grey-brown RAL 8019
10.391.001 silver
10.391.009 cream white RAL 9001
10.391.010 titanium
10.391.007 satin

10.391.503 white RAL 9016
10.391.502 grey-brown RAL 8019
10.391.501 silver
10.391.509 cream white RAL 9001
10.391.510 titanium
10.391.507 satin

Door thickness 78-87 mm

10.391.103 white RAL 9016
10.391.102 grey-brown RAL 8019
10.391.101 silver
10.391.109 cream white RAL 9001
10.391.110 titanium
10.391.107 satin

10.391.603 white RAL 9016
10.391.602 grey-brown RAL 8019
10.391.601 silver
10.391.609 cream white RAL 9001
10.391.610 titanium
10.391.607 satin

Door thickness 88-97 mm

10.391.203 white RAL 9016
10.391.202 grey-brown RAL 8019
10.391.201 silver
10.391.209 cream white RAL 9001
10.391.210 titanium
10.391.207 satin

10.391.703 white RAL 9016
10.391.702 grey-brown RAL 8019
10.391.701 silver
10.391.709 cream white RAL 9001
10.391.710 titanium
10.391.707 satin

1A

1B

1C

1D

1E

1F

2

3

4

MTR-ALP-Handles, Balcony door

Handle/Flat handle - Handle lockable/Flat handle

Window-Technology

1-F-0176



MTR-ALP-Handles, Handle/Flat handle

Pair of handles with position stop, incl. escutcheons for profile cylinder, square and shortenable handle screws.

Material: Aluminium
Surface: Powder coated
Boxed qty.: 1 piece

90° position stop

45° position stop

Door thickness up to 90 mm

(Square spindle must be shortened)

10.392.003	white RAL 9016	10.392.503	white RAL 9016
10.392.002	grey-brown RAL 8019	10.392.502	grey-brown RAL 8019
10.392.001	silver	10.392.501	silver
10.392.009	cream white RAL 9001	10.392.509	cream white RAL 9001
10.392.010	titanium	10.392.510	titanium
10.392.007	satin	10.392.507	satin

MTR-ALP-Handles, Handle lockable/Flat handle

Pair of handles with position stop, incl. escutcheons for profile cylinder, square and shortenable handle screws.

Material: Aluminium
Surface: Powder coated
Boxed qty.: 1 piece

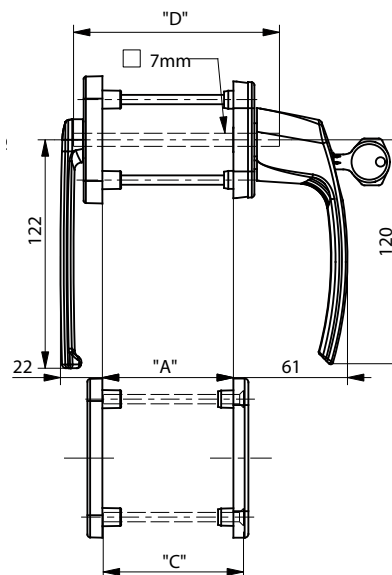
90° position stop

45° position stop

Door thickness up to 90 mm

(Square spindle must be shortened)

10.393.003	white RAL 9016	10.393.503	white RAL 9016
10.393.002	grey-brown RAL 8019	10.393.502	grey-brown RAL 8019
10.393.001	silver	10.393.501	silver
10.393.009	cream white RAL 9001	10.393.509	cream white RAL 9001
10.393.010	titanium	10.393.510	titanium
10.393.007	satin	10.393.507	satin



1A

1B

1C

1D

1E

1F

2

3

4

MTR-HB Window Handles

Standard, non-lockable

Window-Technology

1-F-0180



MTR-HB Window handle,
with stop-in position 90°, incl. 2 screws.

Material: Aluminium
Surface: powder coated
■ Boxed qty: 80 pieces

MTR-HB Window handle standard - Stop-in position 90°

Square length 30 mm

10.411.103 white
10.411.102 brown
10.411.101 silver
10.391.109 cream white
10.391.150 black

Square length 35 mm

10.411.203 white
10.411.202 brown
10.411.201 silver
10.391.209 cream white
10.391.250 black

Square length 40 mm

10.411.303 white
10.411.302 brown
10.411.301 silver
10.391.309 cream white
10.391.350 black

1A

1B

1C

1D

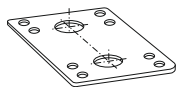
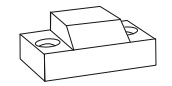
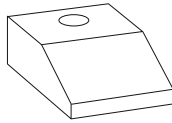
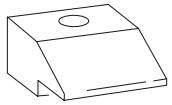
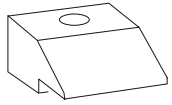
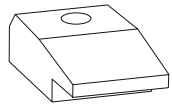
1E

1F

2

3

4



Frame Wedges

for side hung and wide t/t windows.

■ Boxed qty: 25 pieces

white

07.001.21	Plus Plan, Veka, Helmitin
07.003.71	Kömmerling SP 865, 866
07.003.01	Thyssen 2000, Salamander, KöVS, Rehau 730
07.002.01	10 mm height, for centre seal system
07.002.11	15 mm height, for centre seal system
07.002.21	12 mm height, for centre seal system
07.001.01	40 mm depth, 10 mm height
07.001.11	40 mm depth, 12 mm height
07.001.41	45 mm depth, 10 mm height
07.003.81	Kömmerling Gold

brown

07.003.02	Thyssen 2000, Salamander, KöVS, Rehau 730
07.001.02	40 mm depth, 10 mm height
07.003.83	Kömmerling Gold

Washer white for art. no. 07.001.41

07.001.00	1 mm
-----------	------

Casement Wedges

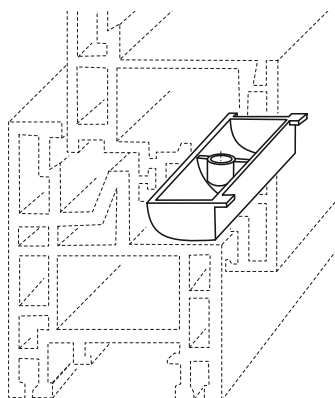
for use with many profile systems,
independent of the shape of the frame.

Two designs are available:

1. A flat part to be used with bottom horizontal bar locks.

■ Boxed qty: 25 pieces

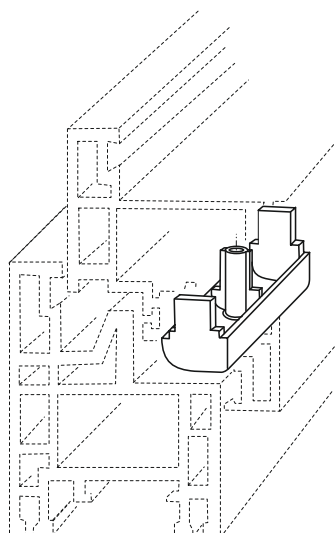
- 07.011.01 Gealan, Golde, Salamander
- 07.011.02 Veka SF, Roplast
- 07.011.03 Exte, Schnicks, Schüco, Veka Softline, Thyssen, Trocal 900, KBE
- 07.011.04 Kömmerling-VK
- 07.011.05 Kömmerling-AV, Kömmerling-VS, Rehau 730

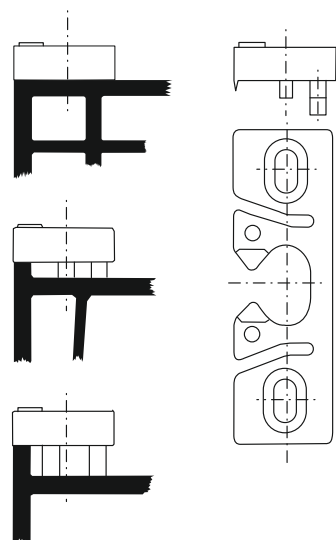


2. Has moulded groove connectors - should there be no fitting in the bottom of the casing..

■ Boxed qty: 25 pieces

- 07.011.11 Suitable for all profiles with a 16 mm groove





The **snap-in keep** closes into a screw-fixed snap-in cam (see below).

Suitable for 9 mm dimension between axes.

Colour: **white**
 Width: 21 mm
 Length: 63 mm
 Depth: 7 mm
 Opening width: 9 mm
 ■ Boxed qty.: 25 pieces

For different frame edge heights

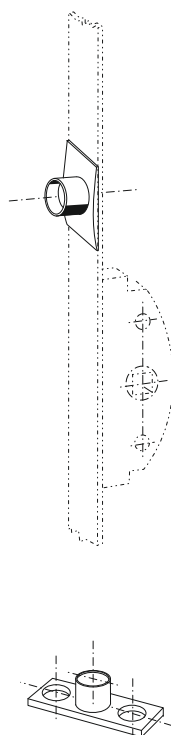
04.001.01	flat frame edge
04.001.02	2,5 mm frame edge height
04.001.03	3,0 mm
04.001.030	Veka Softline
04.001.04	4,0 mm
04.001.05	5,0 mm
04.001.06	6,0 mm
04.001.07	6,7 mm
04.001.08	7,5 mm

As above, in brown

04.001.11	flat frame edge
04.001.130	Veka Softline

■ **N.B.**

This design is for use with double casement windows.



Snap-in cam

is screwed onto the espagnolette.
 Suitable for all 16 mm faceplates.

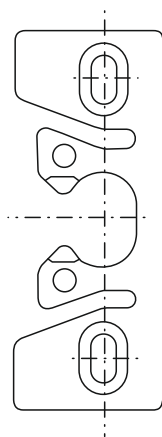
Finish: **SilverLine**
 Width: 16 mm
 Length: 23 mm
 Roller cam height: 8 mm
 Roller cam diameter: 11 mm
 ■ Boxed qty.: 100 pieces

14.814.12 SilverLine

as above, but is screw fixed into the eurogroove, length: 67 mm

14.814.13 SilverLine

In the case of bulk orders, espagnolettes with riveted-in snap-in cams can be delivered.



The **snap-in keep** closes into a screw-fixed snap-in cam (see below).

Suitable for 13 mm dimension between axes.

Colour: **white**
 Width: 25 mm
 Length: 64 mm
 Depth: 7 mm
 Opening width: 9 mm
 ■ Boxed qty.: 25 pieces

For different heights of frame edges

04.002.01	Komarek
04.002.02	Kö VS
04.002.03	Salamander, Aluplast 4000
04.002.04	Helmitin KS,Thyssen Neu
04.002.05	Rehau S730
04.002.06	Gealan S 3000
04.002.07	Trocal Economic, Aluplast 2000
04.002.08	Aluplast 5000

As above, in brown

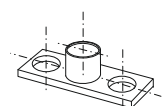
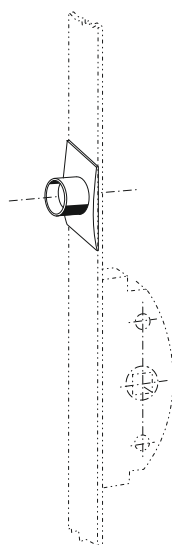
04.002.11	Komarek
04.002.12	Kö VS
04.002.13	Salamander Aluplast 4000
04.002.14	Helmitin KS Thyssen Neu
04.002.15	Rehau S730
04.002.16	Gealan S 3000
04.002.18	Aluplast 5000

Snap-in cam

is screwed onto the espagnolette.
 Suitable for all 16 mm faceplates.

Finish: **SilverLine**
 Width: 16 mm
 Length: 23 mm
 Roller cam height: 8 mm
 Roller cam diameter: 11 mm
 ■ Boxed qty.: 100 pieces

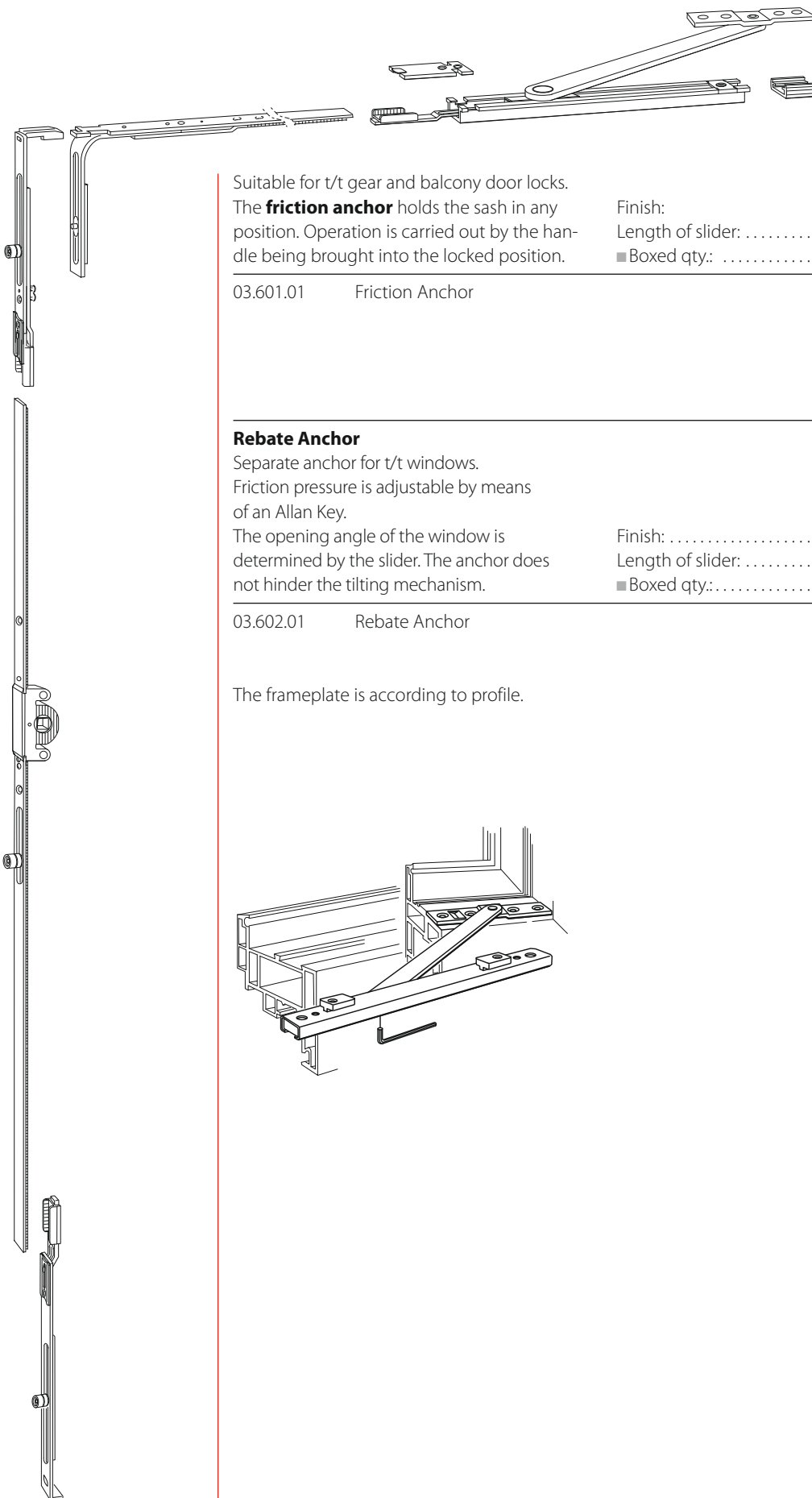
14.814.12	SilverLine
-----------	------------



as above, but is screw fixed into the eurogroove, length: 67 mm

14.814.13	SilverLine
-----------	------------

In the case of bulk orders, espagnolettes with riveted-in snap-in cams can be delivered.



Suitable for t/t gear and balcony door locks.
The **friction anchor** holds the sash in any position. Operation is carried out by the handle being brought into the locked position.

Finish: **Silverline**
Length of slider: 300 mm
■ Boxed qty: 1 and 50 pieces

03.601.01 Friction Anchor

Rebate Anchor

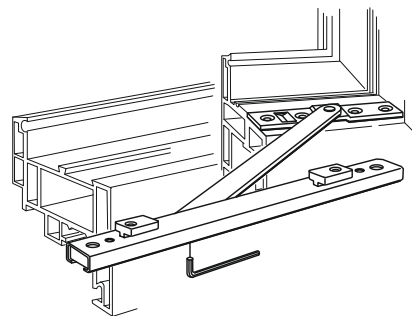
Separate anchor for t/t windows.
Friction pressure is adjustable by means of an Allan Key.

The opening angle of the window is determined by the slider. The anchor does not hinder the tilting mechanism.

Finish: **Silverline**
Length of slider: 225 mm
■ Boxed qty: 1 und 25 pieces

03.602.01 Rebate Anchor

The frameplate is according to profile.



1A

1B

1C

1D

1E

1F

2

3

Window fittings

1

Door fittings

2

Accessories and consumable items

3

0. Product information Lock systems	2-A-0005 – 2-A-0020
1. electronic residential door locks	2-A-0100 – 2-A-0200
2. Anti-panic emergency and fire protection	2-A-0215 – 2-A-0255
3. automatic locks	2-A-0320 – 2-A-0325
4. residential door locks Version P, cylinder operated	
4.1 ZV Residential door locks BlackLine	2-A-0420 – 2-A-0434
4.2 ZV Residential door locks SilverLine	2-A-0440 – 2-A-0452
4.3 DV Residential door locks SilverLine	2-A-0460 – 2-A-0464
4.4 RV and PV Residential door locks SilverLine	2-A-0470 – 2-A-0476
5. residential door locks Version G, lift-lever	
5.1 ZVL + ZV Residential door locks SilverLine	2-A-0520 – 2-A-0535
5.2 DV Residential door locks SilverLine	2-A-0540
5.3 RVL + RV Residential door locks SilverLine	2-A-0560 – 2-A-0575
6. mortice locks	2-A-0620 – 2-A-0640
7. residential door locks for double leaf doors	2-A-0721 – 2-A-0745
8. special-Residential door locks, accessories, lock for retrofitting, Alu-System	2-A-0820 – 2-A-0870
9. Technical documentation in planning	2-A-09
0. Instructions	2-B-0050
1. F/R-Keeps	
1.1 Keeps for ZV, DV, 3S-A, SilverLine	2-B-0100 – 2-B-0140
1.2 Keeps for ZV BlackLine	2-B-0200 – 2-B-0205
1.3 Keeps (Zinc diecast) for DV, RV, SL	2-B-0220 – 2-B-0240
2. latch	
2.1 Latch SilverLine	2-B-0250
2.2 Latch BlackLine	2-B-0255
3. Special keeps	2-B-0260
4. Special keep Security	
4.1 Special keep Security for ZV-M, 3S-M	2-B-0270
4.2 Special keep Security for 3S-A	2-B-0280
4.3 ZV Special keep security synchronized	2-B-0300 – 2-B-0305
4.4 ZV Special keep security rotational	2-B-0350 – 2-B-0370
4.5 ZV Special keep, Heroal	2-B-0380
5. electric door releases	
5.1 Electric door releases wintec®	2-B-0400
5.2 Electric door releases AK	2-B-0410 – 2-B-0420
5.3 Electric door Releases SV	2-B-0440
5.4 Electric door releases MTC	2-B-0450
5.5 Accessories for electric door release	2-B-0490
6. Profile cylinder	
6.01 Profile cylinder Standard F5	2-B-0525
6.02 Profile cylinder R6, Reversible key system	2-B-0540
6.03 Profile cylinder R6 G, Reversible key system	2-B-0550
6.04 Profile cylinder R6, Reversible key system with thumbturn	2-B-0555 - 0556
0. Door handles	2-C-1101
1. FlexDesign Product Information	2-C-1105
1.01 FlexDesign Classic-Art Sets	2-C-1110 – 2-C-1115
1.02 FlexDesign Colorplus Sets	2-C-1130 – 2-C-1138
1.03 FlexDesign Object Sets	2-C-1150 – 2-C-1156
1.04 FlexDesign Colorplus Individual Parts	2-C-1170
1.05 FlexDesign Classic Art Individual Parts	2-C-1171
1.06 FlexDesign Object Individual Parts	2-C-1172
2. CoverLine, CP Aluminium Product Information	2-C-1205
2.01 CoverLine Sets	2-C-1210
2.02 Colorplus Handle Sets for Aluminium Doors	2-C-1220
3. Standard MTS, CP, FT, CL Product Information	2-C-1305
3.01 MTS Sets	2-C-1310 – 2-C-1315
3.02 Colorplus Sets	2-C-1320 – 2-C-1321
3.03 FT Sets	2-C-1330
3.04 CoverLine Sets	2-C-1340 – 2-C-1345
4. Stainless Steel Handle Product Information	2-C-1405
4.01 Colorplus Stainless Steel Sets	2-C-1410 – 2-C-1417
4.02 Stainless Steel Sets with an integrated return spring	2-C-1420
4.03 Stainless Steel Pull Handles	2-C-1430
4.04 Stainless Steel LED-Star	2-C-1440
5. Accessories	
5.01 PC Escutcheons	2-C-1510
5.02 PC Escutcheons, oval with anti extraction protection	2-C-1515
5.03 Accessories, fixing	2-C-1530 – 2-C-1560

6.	MTR-ALP/APG Door Handle Sets Product Information	2-C-1601
6.01	MTR-ALP-Door handle sets	2-C-1610 – 2-C-1616
6.02	MTR-APG-Drückergarnituren	2-C-1618 – 2-C-1624
1.	Door hinges	
1.1	m-tec I Door hinge, metal cover cap	2-D-0040 – 2-D-0045
1.2	m-tec I Door hinge	2-D-0050 – 2-D-0055
1.3	m-tec II m Door hinge	2-D-0060 – 2-D-0066
1.4	m-tec II s Door hinge	2-D-0067 – 2-D-0069
1.5	m-tec III s Steel hinge	2-D-0080 – 2-D-0085
1.06	m-tec RB Butt hinge	2-D-0100 – 2-D-0103
1.07	MTR-All + AllI Door hinge for aluminium doors	2-D-0120 – 2-D-0128
2.	Hinge-Side	2-D-0200
3.	Threshold	
3.01	Thermal break threshold	2-D-0235
3.02	Threshold adapter blind frame	2-D-0236
3.03	Threshold adapter Setzpfosten	2-D-0238
3.04	Threshold connector blind frame	2-D-0240
4.	Threshold	
4.01	Thermal break threshold, accessories	2-D-0280 – 2-D-0281
4.02	Threshold connector for TG sill	2-D-0285 – 2-D-0290
4.03	Threshold old housing, 20 mm	2-D-0310 – 2-D-0311
4.04	Threshold connector old housing, 20 mm, Kömmerling	2-D-0312
4.05	Threshold new building, 46 mm	2-D-0315
4.06	Threshold connector new and old housing	2-D-0319 – 2-D-0320
5.	Access flap, door holder	2-D-0400
6.	Door closer	
6.01	Door closer MTS 140	2-D-0405
6.02	Door closer Standard 210	2-D-0410
6.03	Door closer R/F 530	2-D-0415
6.04	Door closer L 630	2-D-0420
7.	Glazing rebate handle	
7.01	Glazing rebate handle metal	2-D-0500
7.02	Glazing rebate handle SoftLine	2-D-0520
1.	Tilt and slide fittings	
1.00	Contents	2-E-0003
1.01	Specification of KTB	2-E-0004 – 2-E-0005
1.02	Range of application KTB 200 Z	2-E-0006 – 2-E-0007
1.03	Range of application KTB 160 S and KTB 100 S	2-E-0008 – 2-E-0009
1.04	Sash arrangements	2-E-0010
1.05	Text for tender	2-E-0011
1.06	Order information and packing units	2-E-0012
1.07	Abbreviations and notes	2-E-0013
1.08	KTB 200 Z	2-E-0020 – 2-E-0021
1.09	KTB 160 S	2-E-0040 – 2-E-0041
1.10	KTB 100 S	2-E-0060 – 2-E-0061
1.11	Overview profile-related parts KTB 200 Z	2-E-0080 – 2-E-0081
1.12	Overview profile-related parts KTB 160 S / 100 S	2-E-0090 – 2-E-0091
1.13	Handles KTB	2-E-0120 – 2-E-0121
2.	Slide fitting SPC II	2-E-0300
0.	In planning	2-F

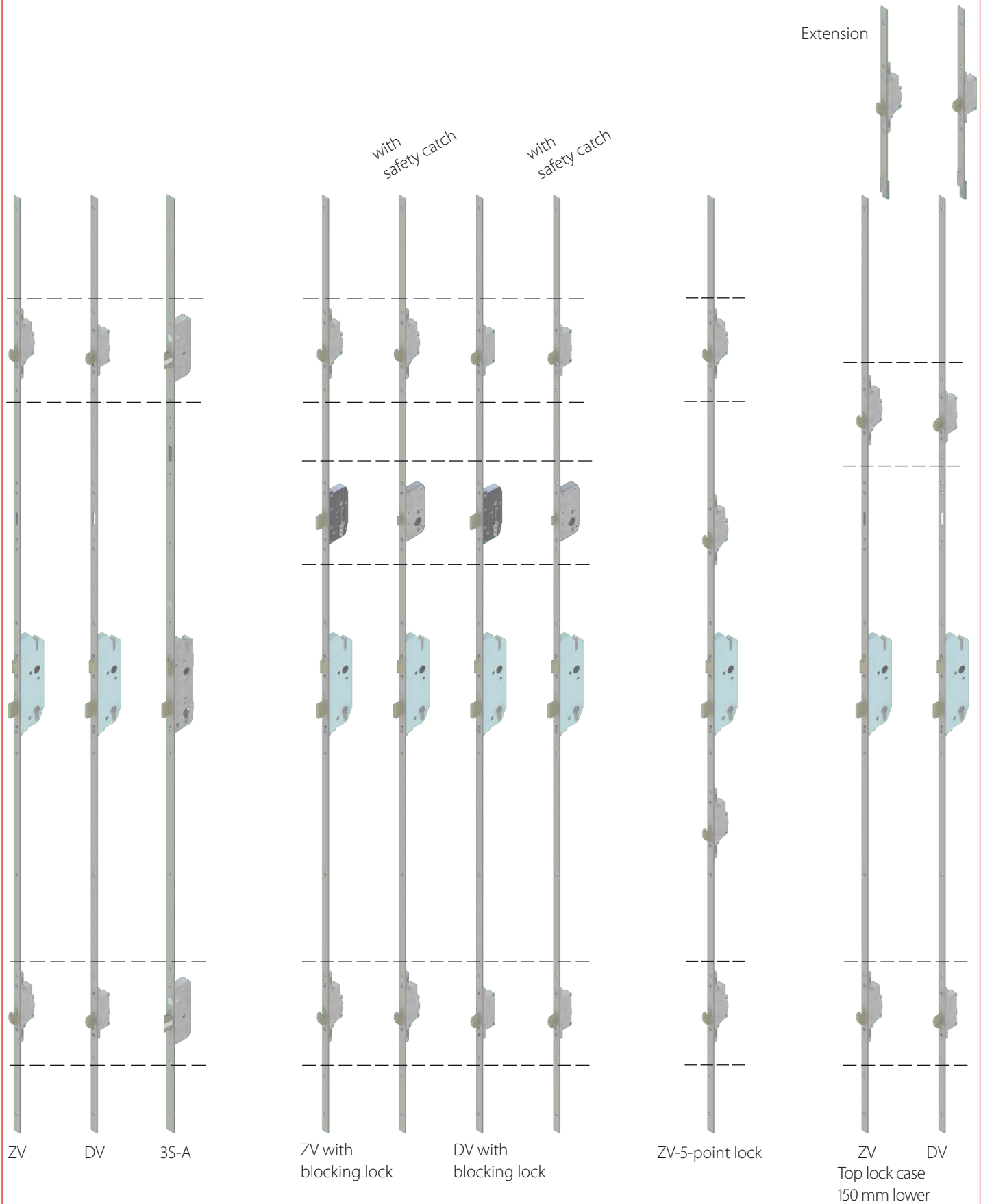
Window fittings

1

Door fittings	Electronic and mechanical residential door locks, anti-panic locks, double-casement fittings, special fittings	2A
	Keeps, special keeps, electric release, profile cylinders	2B
	Handle-sets, pull handles and accessories	2C
	Door hinges, sills, door closer and accessory	2D
	Tilt and slide fitting, folding door fittings, slide fitting	2E
	In planning	2F

Accessories and consumable items

3



2A

2B

2C

2D

2E

2F

3

In accordance with the liability of the manufacturer for his products as defined in the "Product Liability Law"

§ 4 (ProdHaftG) the following information regarding door locks is to be observed. Noncompliance releases the manufacturer from his liability.

1. Product information and intended use

Door locks close a door by means of a latch so that it cannot be opened by pressure or tension. They secure a door in a closed position by means of a deadlock bolt that extrudes from the door lock and which is supplemented by two or more roller cams, bolts or rectangular bolts.

All the roller cams or bolts grip into the corresponding recesses in the door frame or into the keeps, lock casing or striker plates.

Door locks can be used on vertically hung doors made of wood, PVC, aluminium or steel and conforming material combinations.

Doors for use in damp environments or corrosion aggressive environments require special surface coatings.

2. Misuse

Misuse, i.e. utilisation of the product which is not in accordance with the specified intended utilisation of door lock occurs in particular:

- when obstructions have infiltrated the opening vicinity and consequently prevent proper specified use
- when foreign substances have infiltrated the door lock, the keep, the lock case or the striker plates and consequently prevent proper specified use
- when the lock elements have been incorrectly installed or improperly processed (e.g. by paint)
- when tools or lever gear have been applied in order to operate the door lock
- when extended bolts are used to hold the door in an open position
- when additional loads affect the door bolts
- when a hand is placed between the door and the frame during the closing of the door (risk of injury).

3. Product capacity

3.1 Maximum door weights and door sizes

The door weights and maximum door widths and heights that are stipulated in the Schüring sales and planning documents as well as in the Schüring installation and assembly instructions may not be exceeded.

3.2 Assembling the fittings

The instructions stipulated by the manufacturer for the assembly of the fittings are binding.

4. Product maintenance

Security related fittings parts are to be regularly checked for mechanical security and for wear and tear. Where required fixing screws are to be tightened and/or parts exchanged. Furthermore, the following maintenance work is to be carried out at least once a year:

- all movable parts and all locking points of the fittings are to be greased (Schüring Maintenance Spray) and their functions tested
- only cleaning and maintenance agents (Schüring Maintenance Kit) which do not damage the corrosion protection of the fittings parts are to be used
- all adjustment work on the fittings and replacement of parts is to be carried out by qualified specialists

5. Obligation to issue information and instructions

To fulfil the information and instruction obligations as well as the maintenance work in accordance with the "Product Liability Law" the following documents are available:

- for planning engineers: "Planning Documents"
- for specialist dealers: "Catalogues"
- for processors: "Installation Instructions and Factory Drawings"
- for builders and end users: "Cleaning and Maintenance Instructions" as well as "Operating Instructions"

To ensure the functioning of the door locks:

- planning engineers are obliged to acquire the product information from the manufacturer or specialist dealer and to comply with this information
- the specialist dealers are obliged to observe the product information which together with the installation instructions, fabrication drawings, cleaning and maintenance instructions and operating instructions should be acquired from the manufacturer and passed onto the processor
- processors are obliged to observe the product information and in particular to acquire the cleaning and maintenance instructions and the operating instructions from the manufacturer or the specialist dealer and to pass these on to the builders and end users.

2A

2B

2C

2D

2E

2F

3

■ Application

Field of application for Schüring door locks:

- house doors made of PVC, timber, and aluminium
- French windows made of timber, PVC and aluminium

■ Designs

Schüring door and window locks "Better Safe than Sorry" are available in three categories:

- in accordance with resistance level 3: high level effectivity in burglar resistance and functionality e.g. ZV 550 with 4 pivot bolts
- in accordance with resistance level 2: increased effectivity in burglar resistance and functionality e.g. ZV 550, 3S-M
- in accordance with resistance level 1: standard effectivity in burglar resistance and functionality e.g. DV

Corrosion protection and colours

In order to meet the increasing demands for coated parts Schüring supplies the right surface system for a wide variety of material related applications e.g. SilverLine, BlackLine, Inoxal, Colorplus, ...

All the surface systems listed above are based on the latest technical surface finishing and considerable importance is placed on abrasion protection, wear protection and corrosion protection.

Surface systems	Colours
SilverLine	silver, Cr VI free electrogalvanising
BlackLine	black, cathodic dip painting
Inoxal	stainless steel look , electrolytic oxidation of aluminium
Colorplus	RAL colours coated with solvent free powder paints

Technical Features

■ ZV -Pivot Bolt Door Lock

With the patent protected, innovative pivot bolt lock Schüring is the first supplier to have developed a system which, due to the hooked bolt locking action of the semi-circular shaped bolt into the keep, provides extremely effective burglar resistance. Schüring retains its absolute monopoly position in the market due to the counter movement locking action of the pivot bolt being offered as an alternative to the synchronized version and offering the highest level of security.

- semi-circular steel bolt, made of high quality steel
- the main locking bolt is protected against forced sawed opening
- burglar resistant: complies with the requirements for locks as stipulated in DIN V ENV 1627 of resistance level 2 (with 2 pivot bolts) and WK 3 (with 4 pivot bolts)
- tested in accordance with DIN 18-251-3 and in accordance with the Dutch standard BLR 3104 SKG class 1

- locking in the final position - each locking point is individually secured against being pushed back by force
- exact positioning of the spindles
- a special bearing inserted into the spindle retainer prevents the handle from loosening, even after many years of intensive use
- Innovative locking technology for a well fitting door, optimal sound-proofing and excellent thermal insulation: the first turn of the key actuates the bolt which travels out in a circular movement and gently draws the casement into the locked position. A further turn ensures optimal compactness and an unimpeded insertion of the centre lock into the keep
- the standard model can be fitted with a safety catch and an additional lock

The locks concerned are available as latch/lever and wind-up versions. The bolts are non-handed. The Schüring Pivot Bolt ZV in the Black-Line-design has a protective lacquered coating. The corrosion resistance according to a salt spray test exceeds 600 hours (tested in accordance with the requirements of DIN 50021). The striker plates are infinitely adjustable by means of a measuring scale.

■ DV -Turn Bolt Door Lock

The DV SilverLine turn bolt is extremely user comfortable and is offered by Schüring as a cost-performance related alternative to the pivot bolt technique. This bolt turns axially into the keep. The rear end of the bolt remains in the lock case and therefore ensures additional stability and increased resistance against forced lifting out. The unsprung, rigid bolts are locked into the final position and therefore fulfil the requirements of locks in accordance with DIN 251-3 (security related features). The Schüring turn bolt DV fulfils requirements for resistance level 1 in accordance with DIN V ENV 1627 and provides reliable protection. The locks concerned are available as latch/lever and wind-up versions.

The striker plates can be adjusted by means of a measuring scale. The bolts are non-handed.

Incidentally : the bolt-and keep positioning on the pivot lock is the same as on the turn lock and can be processed with one setting.

■ RV-and PV-Multi-Point Door Locks

RV (roller cam bolts) and PV (mushroom headed cam bolts) locks offer an economic alternative option for secondary doors or French windows made of timber or PVC. In spite of its simplicity the multi-point lock offers four additional safety factors and therefore provide increased protection against forced opening of the doors.

The rolling, adjustable roller cams and mushroom-headed roller cams can be easily adapted to the individual requirements of the door and consequently affords a constant optimal closing performance. As the end pieces of the connecting rods are fitted with turn/tilt toothing the locks can be combined with other t/t- fittings e.g. corner sliders, lateral locking devices and can even be used for central locking (an all-round lock). Adjustment is carried out by turning the roller cams or the mushroom-headed cams and with an adjustment range of +/-0,8 mm the tolerances on the door construction can be compensated.

2A

2B

2C

2D

2E

2F

3

■ ZV-M Electric Door Lock

Extreme user-comfort and optimal security characterises the Schüring ZVM electric lock. The multi-point lock with the electrically powered motor drive can be quickly and easily installed without any complications, as all the components are integrated into the door. The exceedingly robust and long-lasting system with two high-performance motors can be installed into nearly every door and with any commercially available free-wheel cylinder inserted into the existent locking system.

The doors are actuated from inside by the levers and from outside by a multi-functional remote control key.

In the event of loss or theft, the key code can be easily changed to avert dangerous situations. In the event of a power cut the door can be opened at all times from inside and outside with the cylinder key.

There are standard connection possibilities to access control systems (e.g.:transponder, numerical code, cards, eye scan, mobile telephone) and monitoring systems (building management, alarm system, house interphone system). A particularly special innovation developed by Schüring and available on request is the fingerscan. The biometric system is forgery proof and complies with highest requirements for security. The ZV-M has been tested and accredited according to the requirements of DIN EN 1125 and DIN EN 179 and can be installed into single leaf anti-panic and emergency doors as well as double leaf emergency doors.

■ RB 650 PCE Anti-Panic Multi-point Lock, P21 Anti-Panic Mortise Lock

With the RB 650 PCE multi-point lock Schüring has designed an anti-panic lock with two steel bolts for particular use in busy public buildings and which complies with the required standards for anti-panic and emergency doors. In the event of an emergency the door can be opened without a key from the inside at any time. The door can be opened and re-locked from the outside by two turns of the key and so prevents unauthorised persons access to the building.

The RB 650 PCE and all additional components such as the horizontal push-bar have been tested in accordance with the requirements of DIN EN 1125 and DIN EN 179 and constitute a reliably functioning unit. Schüring has included the more simple P21 anti-panic mortise locks in the programme. Types available are with levers on both sides (split spindle housing) as well as with external handle or push pad and function with free wheel cylinders. These locks also comply with the highest European security standards.

■ 3S-A Automatic Multi-point Lock

The 3S-A multi-point lock from Schüring is an automatic security door lock with two solid latch bolts for PVC, timber and aluminium house doors. During closure of the door the latch bolts are released by contactless actuation by magnetic force and act as solid security bolts as soon as the door is closed. The door remains securely locked into the frame without any additional locks being required. The latch bolts have a projection length of 20 mm and are secured against being pushed back. The 3S-A multi-point lock has been successfully tested in accordance with the requirements of DIN 18.251-3. class 3 (security related features) and can therefore be applied upto resistance class 2.

The latch bolts and the latch can be manually pulled back by means of the profile cylinder or the door handle. The main bolt can be separately locked by a turn of the key and then the inside lever is blocked. This function can also be used as a child-proof lock, a night lock or simply for control purposes. Further advantages certainly include increased thermal insulation as the contact pressure is constantly exerted over 3 locking points and not only ensures optimal tightness, but also permanently prevents the door from warping.

The gentle closing operation due to the high quality PVC inlays in the latch bolts, the non-handed usability due to the easy changeover of latch and latch bolt, the locking friendliness due to the chamfered rear of the latch as well as the contactless, magnetic latch bolt release distinguishes the Schüring 3S-A automatic multi-point lock as quiet, long-lasting and in particular dirt resistant. Die 3S-A can be retrofitted at any time with safety catches, additional locks and cranked latches.

The special bolt keeps offer an extremely high level of locking comfort with adjustable keep plates +/-2 mm and the integrated high performance magnets ensure a high degree of tolerance compensation of the house doors

■ 3S-M Automatic Multi-point Lock with Door Opener Function

The door opening function together with the motor which is installed in the faceplate allows the latch bolt and the latch to be moved to the original position. Consequently, the 3S-A Automatic Multi-point lock has become a motor actuated lock with a door opening function. The 3S-Multi-point lock from Schüring has been designed so that, depending on the model, it can be used just as effectively in the private sector as in the commercial sector. The locked door can be opened by an electrically powered motor, e.g. simply via the house interphone system; on being closed the door is then automatically mechanically locked.

The motor actuated opening can be de-activated by releasing the main bolt – the inside lever is then blocked.

No controls are required for the door opening function, convenient opening via the house interphone system is always assured. All the ZV-M components such as remote control key, fingerscan, transponder- reader, remote control wall switch, power supplies ...can be used in the commercial sector. The optional available controls offer such function as "constantly open function", electronic switching off of the access control system, drive motor for revolving doors door leaf-position monitoring... The 3S-M is also available as an automatic escape lock in accordance with the requirements of EN 179, EN 1125 or for fire doors.

Abbreviations

FFH = sash rebate heights (SRH)

li = left (l)

PZ = Profile Cylinder (PC)

re = right (rt)

2A

2B

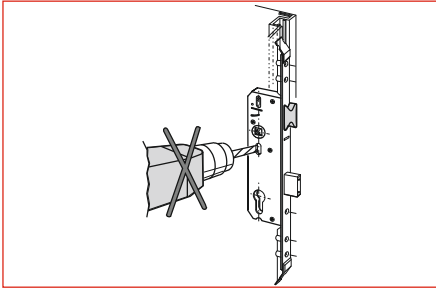
2C

2D

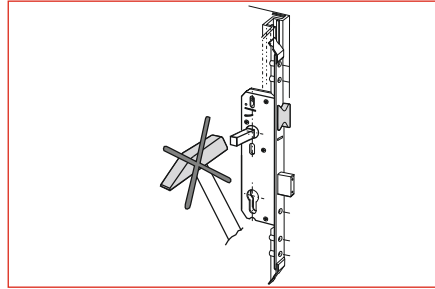
2E

2F

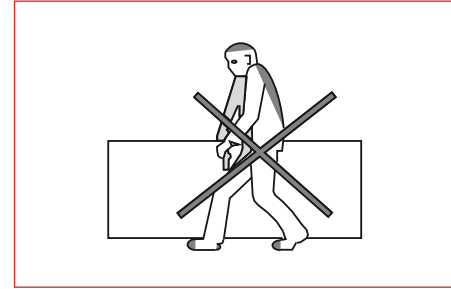
3



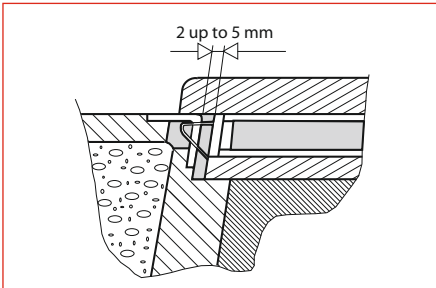
The door leaf must not be drilled through, in the locking area, after the lock has been installed.



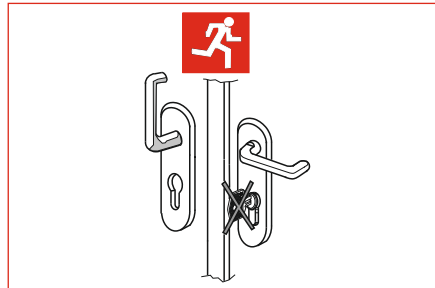
The spindle must not be forced through the bearing.



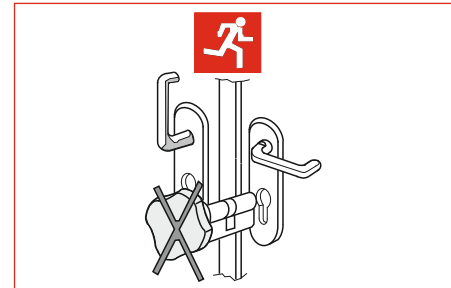
The door leaf should not be carried by means of the lever furniture.



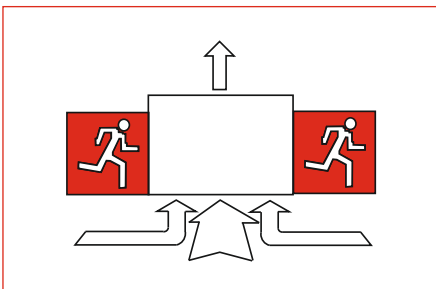
The distance between the faceplate and the keep should be between 2 and 5 mm.



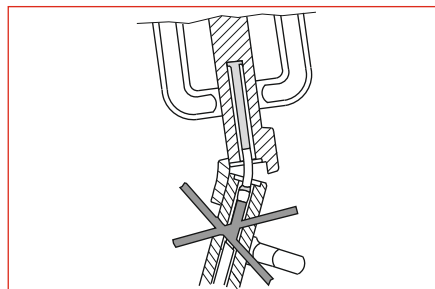
A key must never be left inserted in an anti-panic lock.



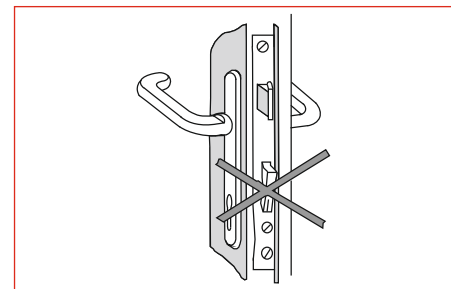
Lock cylinders for anti-panic doors must not have thumb wheel or turning finger holds.



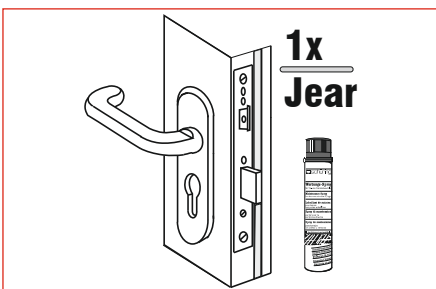
The panic lever should only be operated in emergencies (not for every day use).



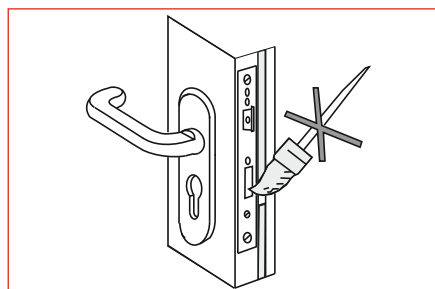
Double doors must not be forced open across the fixed casement.



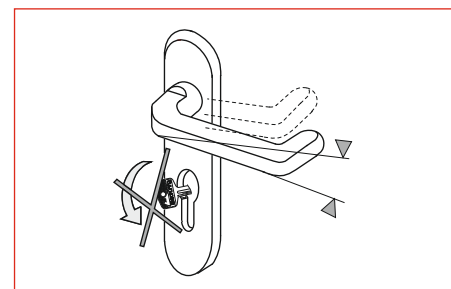
In the case of damage caused by force a new lock must be immediately installed.



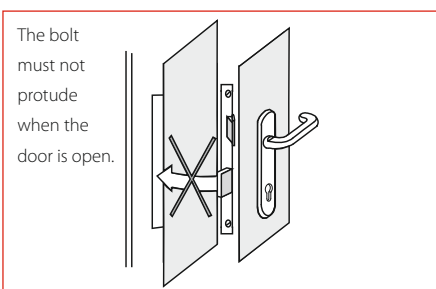
The locks must be oiled at least once a year with resin free oil.



Bolts and keeps must not be painted/lacquered over.

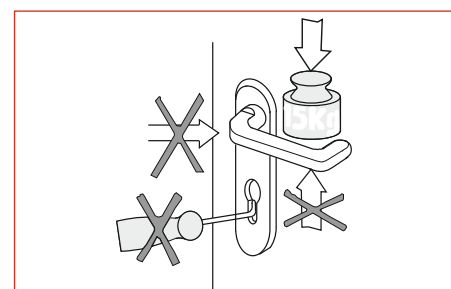


Lever and key must not be operated simultaneously.



The bolt must not protrude when the door is open.

Pressure should only be put on the lever in the normal direction. Pressure placed on the lever, in the operating direction, must not exceed 150 N. The lock must only be closed with the matching key (not with foreign parts or unsuitable tools).



2A

2B

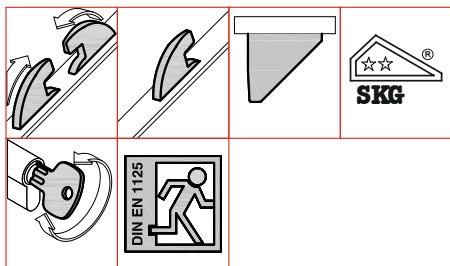
2C

2D

2E

2F

3



Fully automatic with integrated anti-panic function, for house and heavy duty doors made of PVC, wood or aluminium.

■ Function outside

The locking operation of all the elements is carried out automatically, (motor control), 3 seconds after the door has been closed. The unlocking operation can be carried out by using the included remote control key or, alternatively, the key of the freewheel profile cylinder (e.g. in the event of an electrical power cut). Other examples of optional access systems for actuating opening are by fingerscan, transponder, keypad.

■ Function inside

The locking and unlocking operation is the same as outside. Furthermore, the door can be opened by simply actuating the lever or the panic bar.

■ Alternative opening possibilities

- an intercom system
- a cable-free wall switch
- access control via a building management system

■ Application possibilities

- PVC doors, wooden doors, aluminium doors
- 1-and 2-leaf doors
- Door heights from 1.530 -2.400 mm

■ Advantages

- Always secure and easy-to-use
- Fully automatic electro-mechanical multi-point locking
- Long lasting durability -the system has undergone a cycle test of more than 200.000 actuations
- Easy opening from outside by remote control key or finger-scan and from inside, easily, with the lever
- A through bolted or a split spindle is available for connecting doors
- Tested free wheel cylinder
- Can be connected to the following systems: intercom system, transponder, numerical code-locks, alarm systems, swing door actuator

■ *Faster, easier installation of all components in the set and pre-assembled pluggable cable-connections.*

ZV Motor lock with twin motors

Standard design SilverLine, 16, 20, 24 mm faceplate, 24 mm U-plate

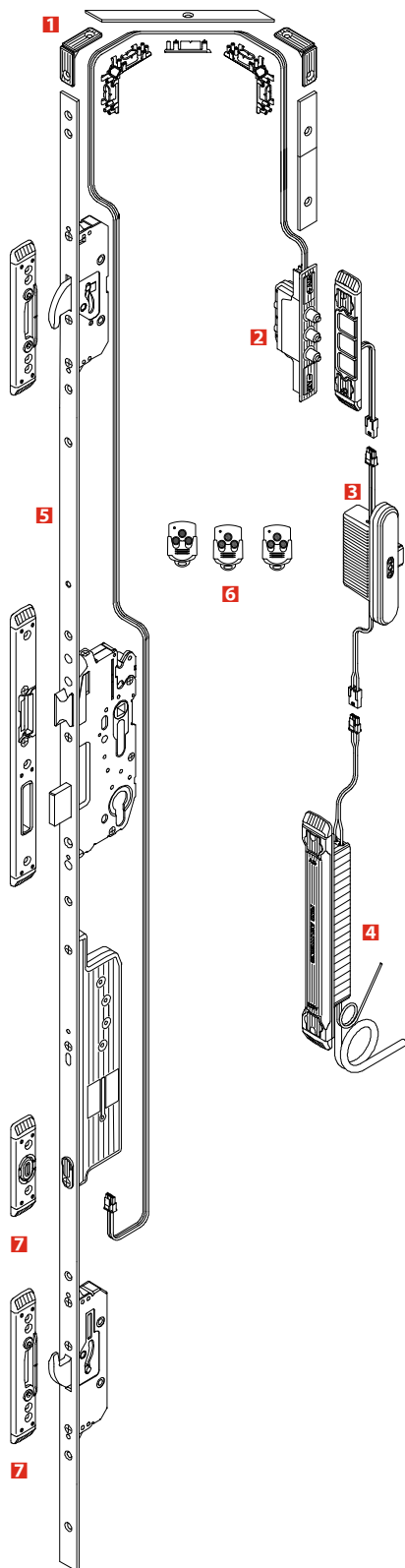
ZV motor lock -set, consisting of

- 1 Cable routing
- 2 Power-and data-transmission
- 3 Control system
- 4 Regulated power supply
- 5 Motor operated multi-point locking system
- 6 Remote control key
- 7 Strikers and magnetic contact

■ Ordering designations

- Profile System
- Frame number
- Casement number
- DIN-(Opening) Direction

■ Please order the ZV-M Installation Instructions (Art. No. 00.012.14).



2A

2B

2C

2D

2E

2F

3

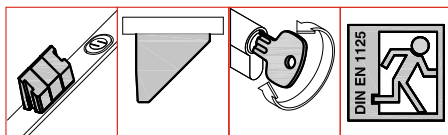
Motor-Lock 3S-M

Automatic locking, motor driven opening.

Window-Technology

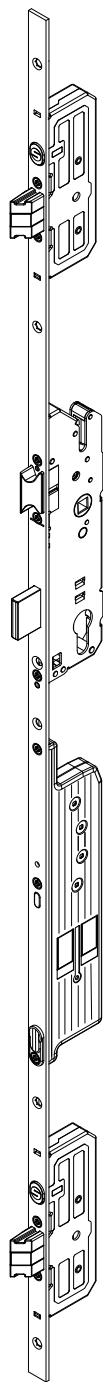
2-A-0150

1



With the 3S-Motor-Lock it is easier to safeguard multi-family dwellings, as the house door is locked automatically and can be opened by motor drive. The method is simple: e.g. as with a usual method, the door is opened from the apartment by an intercom system. The 3S-M Lock carries the genes of the established fully motor powered lock ZV-M. The latch bolts are automatically mechanically locked, and opening is carried out by electric motor. This is made possible by a powerful, fast and extremely quiet motor drive which functions according to the proven double motor principle. The motor driven and the manual opening can be switched off via the key, e.g. as a child safety measure. The main bolt and the latch bolt still remain securely locked. The 3S-M Lock is ideal for house doors of multi-family dwellings and can be complemented by access control systems such as remote control key, fingerscan or transponder.

Faceplate/Finish: F 16 x 2,7 mm **SilverLine**
 F 20 x 2,7 mm **SilverLine**
 F 24 x 2,7 mm **stainless steel**
 U 24 x 6,0 mm **stainless steel**
 Hole centres: 92 mm
 Spindle-housing: 8 mm
 Rear backset: 18 mm
 Total length: 2.100 mm
 ■ Boxed qty: 1 piece



Motor-Lock 3S-M 16 mm faceplate, SilverLine

24.461.03	35 mm backset*
24.461.04	40 mm backset*
24.461.05	45 mm backset*

Motor-Lock 3S-M 20 mm faceplate, SilverLine

24.462.75	45 mm backset*
-----------	----------------

Motor-Lock 3S-M 24 mm faceplate, stainless steel

24.467.73	35 mm backset*
24.467.74	40 mm backset*
24.467.75	45 mm backset*

Motor-Lock 3S-M 24 mm U-plate, stainless steel

24.466.73	35 mm backset*
24.466.74	40 mm backset*
24.466.75	45 mm backset*

2A

2B

2C

2D

2E

2F

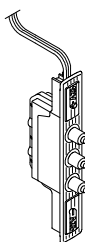
3

* on request.



Magnetic contact

20.499.00	Trocal Innonova
20.499.11	24 x 5
20.499.12	24 x 6,6
20.499.13	Brüggmann AD
20.499.14	Rehau Brillant
20.499.15	Aluplast 4000
20.499.16	Aluplast 2000
20.499.17	Deceuninck Zendow
20.499.18	Gealan 3000, 7000, 8000
20.499.19	KBE AD 70
20.499.20	Kömmerling Euro Future
20.499.21	Thyssen Inoutic
20.499.22	Salamander 2D/3D
20.499.23	Schüco CT 70, SI 82, Veka NET
20.499.24	opposite eurogroove 16 mm
20.499.25	stainless steel, Schüco AD s
20.499.27	Veka Softline/Topline house door



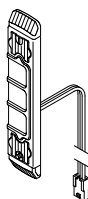
Tappet contact,

profile neutral (to be applied in connection with the contact surface).

Silver plated tappet contacts to the electric current transfer and to the data transfer, cable connection with multi-function plug, pre-assembled.

■ Boxed qty.: 1 piece

20.496.01	F 16/F 20, profile dependent
20.496.02	F 20, profile dependent
20.496.03	F 24 x 2,75, profile dependent
20.496.04	F 24 x 2, profile dependent
20.496.05	F 20/F 24 profile dependent
20.496.06	U 24



Contact surface,

according to profile (to be applied in connection with the tappet contact).

Silver plated contact surface unit for the electric current transfer and to the data transfer, with cable connection and multi-function plug, pre-assembled.

■ Boxed qty.: 1 piece

20.497.01	Veka Softline, Topline
20.497.02	Gealan 3000, 7000/8000
20.497.03	Salamander Streamline
20.497.04	Aluplast 4000
20.497.05	Kömmerling Eurodur, Euro Futur , Classic
20.497.06	U 25
20.497.08	Trocal Innonova
20.497.09	Brüggmann AD
20.497.10	Deceuninck Zendow
20.497.11	Inoutic Prestige
20.497.12	KBE AD 70
20.497.13	Rehau Brillant
20.497.14	Schüco CT 70, SI 82, Veka NET
20.497.15	Wood
20.497.16	Trocal Innonova 2000



20.484.80 U-plate contact surface



20.489.00 Contact grease

2A

2B

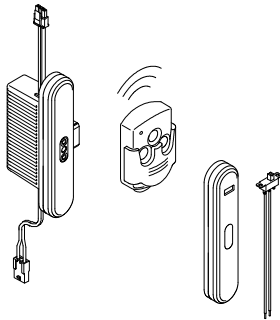
2C

2D

2E

2F

3



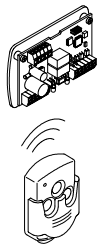
Controls, profile neutral.

Control unit casing with visible and audible lock indicator, radio receiver and cable connections. Further connection possibilities: e.g. swing door drive units, access control systems, alarm systems, time switches and intercom systems.

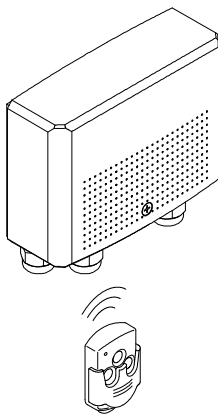
■ Boxed qty: 1 piece

- 20.498.02 ZV-M controls with master key, neutral (installation into the frame)
- 20.498.06 3S-M controls with master key, neutral (installation into the frame)
- 20.498.05 ZV-M/3S-M cover cap with a sliding switch, standard controls

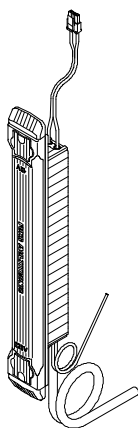
- 20.498.10 3S-M controls with master key, flat design with a stainless steel cover
- 20.498.09 ZV-M controls with master key, flat design with a stainless steel cover
- 20.498.11 ZV-M/3S-M cover cap with a sliding switch, flat design, stainless steel



- 20.498.03 ZV-M controls for DIN Rail power supply - assembly with master key
- 20.498.07 3S-M controls for DIN Rail power supply - assembly with master key



- 20.498.04 ZV-M surface mounted controls with master key
- 20.498.08 3S-M surface controls casing / master key

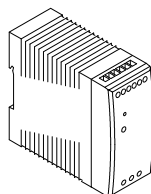


ZV-M/3S-M -SMPS (transformer), according to profile.

SMPS (transformer) for the connection to the domestic electrical power supply, pre-assembled and ready for installation, overload and short-circuit protected with earthing cable (length 400 mm) and 12 volt cable (200 mm).

■ Boxed qty: 1 piece

- 20.484.50 F 22 rounded
- 20.484.51 U 25, Rehau Brillant
- 20.484.52 U 29, Schüco CT 70, SI 82
- 20.484.53 U 29, Deceuninck Zendow
- 20.484.54 U 29, Gealan 3000, 7000, 8000
- 20.484.55 U 29, Inoutic Prestige
- 20.484.56 U 29, KBE AD 70
- 20.484.57 U 29, Salamander 2D/3D
- 20.484.58 U 29, Trocal Innonova 70.M5 and 70.A5
- 20.484.59 U 29, Kömmerling Euro Futur, Classic, Avantgard
- 20.484.60 U 29, Veka Topline / Softline



ZV-M/3S-M -SMPS, for DIN Rail-assembly.

■ Boxed qty: 1 piece

- 20.483.30 DIN Rail power supply (transformer)

2A

2B

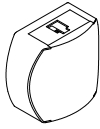
2C

2D

2E

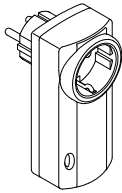
2F

3



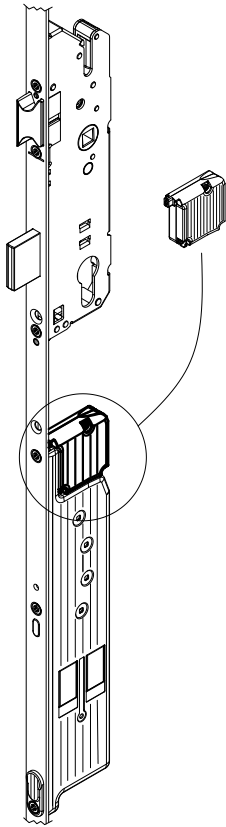
Universal Radio Receiver

20.483.13 for electric drive



Radio Receiver

20.483.14 power socket signal receiver for electric drive



Radio Receiver Module

20.484.01 with master key

■ Please order the 3S-M Installation Instructions (Art. No. 00.012.13).

2A

2B

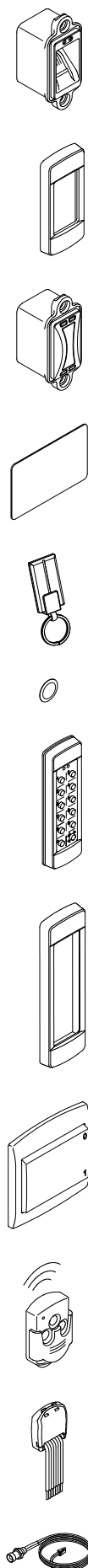
2C

2D

2E

2F

3



Access modules and accessories

20.483.00	wireless fingerscan
20.485.01	Smart Touch-Set, Receiver module Master transponder, activation button with cover
20.485.00	user transponder (additional)
20.483.01	cover cap, fingerscan, white
20.483.02	cover cap, fingerscan, EV 1
20.483.03	cover cap, fingerscan, stainless steel
20.483.08	wireless transponder set, 1 x Wireless transponder scanner
20.483.17	wireless transponder set, 1 x Wireless transponder scanner 2 x Master transponder, 3 x User transponder, with car key recognition 2 x Master transponder, 3 x User transponder, without car key recognition
20.483.06	master transponder (additional)
20.483.07	user transponder (additional)
20.483.09	user transponder foil (additional)
20.483.10	wireless keypad
20.483.04	cover cap, wireless keypad, stainless steel
20.483.05	cover cap, wireless keypad, white
20.483.20	wireless wall-mounted switch, graphite
20.483.21	wireless wall-mounted switch, silver
20.483.15	3-channel remote control key with a protective cap (turquoise buttons)
20.483.25	radio transmitter for flush mounted installation
20.499.02	control-LED for outside the door

2A

2B

2C

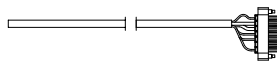
2D

2E

2F

3

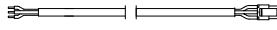
Cable and accessories



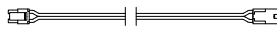
20.483.42 connection cable, external controls-motor drive
6-wire, 10 m, with one plug



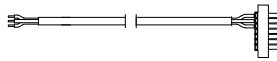
20.498.00 extension cable, standard controls-contact surfaces
3-wire, 1 m, with 2 plugs



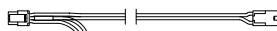
20.483.43 connection cable, external controls-contact surfaces
3-wire, 8 m, with one plug



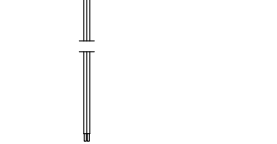
20.483.46 extension cable, power supply control
2-wire, 0,9 m, with 2 plug



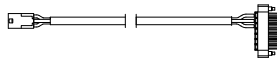
20.483.45 connection cable, current-contact surfaces
3-wire, 8 m, with one plug



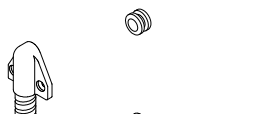
20.483.44 connection cable, power supply-contact surfaces (without control)
4-wire, 1 m, with 2 plugs



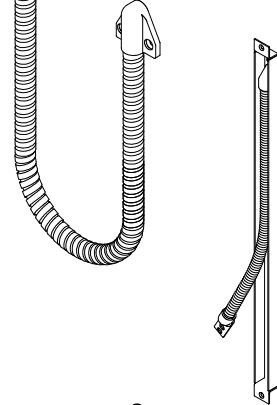
20.483.47 connection cable for cable crossing
3-wire, 4 m, with 2 plug



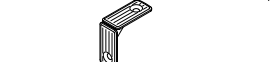
20.483.35 cable protection bush



20.483.36 door loop, surface mounted, chromed



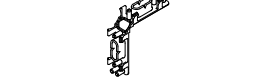
20.483.37 door loop, surface hidden, chromed



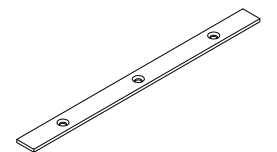
20.483.50 end cap for cover plate, 16 mm wide, black



20.483.51 end cap for cover plate, 20 mm wide, black



20.483.41 cable guide for the eurogroove



Cover plates SilverLine

20.483.38 F16 x 2000 mm
20.483.39 F20 x 2000 mm
20.483.40 F24 x 2000 mm

2A

2B

2C

2D

2E

2F

3

■ Panic round bolt lock.

Tested in accordance with the requirements of DIN EN 1125 (DIN EN 179)
The 20 mm travel and Ø 11 mm robust round bolts ensure effective security. Closed lock case, double turn with 20 mm bolt travel and in accordance with the stipulations of DIN 18 251.

In an emergency the door is opened by pressing down the panic bar (lever).

Only a cylinder with emergency exit door functioning and a freewheel function* may be installed into this lock.

*) The freewheel function ensures free rotation of the profile cylinder cam when there is no key inserted into the lock.

The DIN 18 252 stipulates that in the case of panic locks it is essential that a cylinder with freewheel function be used.

Function I (BKS Description Function E):

One-piece spindle, uninterrupted emergency door function.

Can be opened via the fitting at any time from the inside.

Can only be opened from the outside with a key.

Function IIIa (BKS Description Function D):

Split spindle, uninterrupted emergency door function from inside.

It is possible to open the door from the inside at any time by means of the inside fitting. The outside fitting is either constantly engaged or disengaged by means of the key. The bolt can only be actuated from outside by the key. After the fitting has been actuated from the inside it can also be opened from the outside, until it has been manually re-locked.

Freewheel function

is essential for panic locks. Continual efforts to make improvements in all sections are being undertaken. Often small alterations to one product affect another product. Standards, also, often have the same effect. Due to the ever increasing European influence on standards information concerning the applicable EN or Din standards must be observed with regard to imported products. DIN 18 252 states that it is essential in the case of certain panic locks that a cylinder with freewheel function be used. The freewheel function ensures free rotation of the cam when there is no key inserted into the lock.

A blocking of the lock could result in the event that a standard double cylinder be mistakenly installed into such an accordingly designed lock. In such a case no exiting could take place and definitely not in a panic situation.

2A

2B

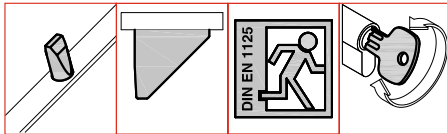
2C

2D

2E

2F

3



Round bolt locks with anti-panic function for emergency doors which fulfill the requirements of DIN EN 1125, double turn, 14 mm bolt travel. The hardened steel bolts have an 11 mm thickness.

■ It is essential that a profile cylinder fitted with an emergency mechanism is used (unrestricted movement).

Faceplate/Finish: F 16 x 2,7 mm **SilverLine**
 F 20 x 2,7 mm **stainless steel**
 F 24 x 2,7 mm **stainless steel**
 U 24 x 6,0 mm **stainless steel**
 Hole centres: 92 mm
 Spindle-housing: 9 mm
 Total length: 2.170 mm
 ■ Boxed qty.: 1 piece

Round bolt lock, anti-panic with solid spindle housing

20.920.03	16 mm faceplate, 35 mm backset
20.920.04	16 mm faceplate, 40 mm backset
20.920.05	16 mm faceplate, 45 mm backset
20.922.73	20 mm faceplate, 35 mm backset
20.922.75	20 mm faceplate, 45 mm backset
20.925.73	24 mm U-plate, 35 mm backset
20.925.75	24 mm U-plate, 45 mm backset
20.927.73	24 mm faceplate, 35 mm backset
20.927.75	24 mm faceplate, 45 mm backset
27.003.01	inside emergency handle bar 1.100 mm, EV1
27.004.03	outside knob, on elongated plate, stainless steel
43.009.10	spindle 9/100 mm F/R-keep left, SilverLine (according to profile) F/R-keep right, SilverLine (according to profile) round bolt-keep, SilverLine (according to profile)

Round bolt lock, anti-panic with split spindle housing

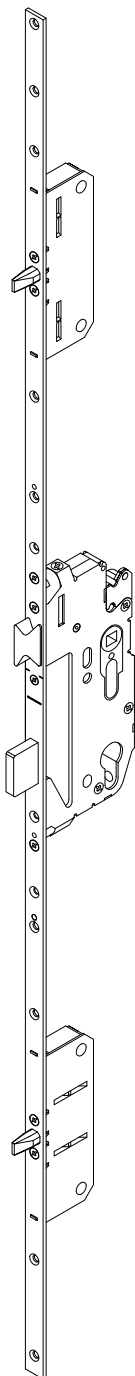
20.930.05	16 mm faceplate, 45 mm backset, right outwards
20.930.051	16 mm faceplate, 45 mm backset, left outwards
20.932.73	20 mm faceplate, 35 mm backset, right outwards
20.932.731	20 mm faceplate, 35 mm backset, left outwards
20.932.75	20 mm faceplate, 45 mm backset, right outwards
20.932.751	20 mm faceplate, 45 mm backset, left outwards
20.935.73	24 mm U-plate, 35 mm backset, right outwards
20.935.731	24 mm U-plate, 35 mm backset, left outwards
20.935.75	24 mm U-plate, 45 mm backset, right outwards
20.935.751	24 mm U-plate, 45 mm backset, left outwards
20.937.73	24 mm faceplate, 35 mm backset, right outwards
20.937.731	24 mm faceplate, 35 mm backset, left outwards
20.937.75	24 mm faceplate, 45 mm backset, right outwards
20.937.751	24 mm faceplate, 45 mm backset, left outwards
27.003.01	inside emergency handle bar 1.100 mm, EV1
19.900.002	outside lever 9 mm, in accordance with DIN 1125* spindle anti-panic 8/9/8 mm, 130 mm, split spindle housing F/R-keep left, SilverLine (according to profile) F/R-keep right, SilverLine (according to profile) round bolt-keep, SilverLine (according to profile)

Anti-panic-profile cylinder, nickel plated with free wheel coupling function in accordance with DIN EN 179/1125

23.006.15	10/10 extended*
23.006.17	10/20 extended*
23.006.18	10/25 extended*
23.006.25	15/15 extended*
23.006.26	15/20 extended*
23.006.27	15/30 extended*

■ **N.B.**

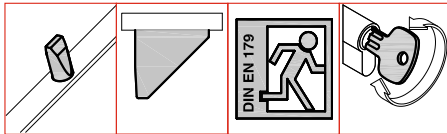
The Anti-Panic Lock, tested in accordance with the requirements of DIN 1125 is only available as a complete package with handle bar, keeps, spindle and profile cylinder.



- 2A
- 2B
- 2C
- 2D
- 2E
- 2F

* on request.
Delivery time approx. 6-8 weeks.

Anti-Panic Locks for 2-leaf house doors
see pages 2-A-0250, 2-A-0255.



Round bolt locks with anti-panic function for emergency doors which fulfill the requirements of DIN EN 1125, double turn, 14 mm bolt travel. The hardened steel bolts have an 11 mm thickness.

■ It is essential that a profile cylinder fitted with an emergency mechanism is used (unrestricted movement).

Faceplate/Finish: F 16 x 2,7 mm **SilverLine**
 F 20 x 2,7 mm **stainless steel**
 F 24 x 2,7 mm **stainless steel**
 U 24 x 6,0 mm **stainless steel**
 Hole centres: 92 mm
 Spindle-housing: 9 mm
 Total length: 2.170 mm
 ■ Boxed qty.: 1 piece

Round bolt lock, anti-panic with solid spindle housing

20.920.03	16 mm faceplate, 35 mm backset
20.920.04	16 mm faceplate, 40 mm backset
20.920.05	16 mm faceplate, 45 mm backset
20.922.73	20 mm faceplate, 35 mm backset
20.922.75	20 mm faceplate, 45 mm backset
20.925.73	24 mm U-plate, 35 mm backset
20.925.75	24 mm U-plate, 45 mm backset
20.927.73	24 mm faceplate, 35 mm backset
20.927.75	24 mm faceplate, 45 mm backset
43.009.10	spindle 9/100 mm F/R-keep left, SilverLine (according to profile) F/R-keep right, SilverLine (according to profile) round bolt-keep, SilverLine (according to profile)
20.214.02	FS-set, lever/pad, 92 mm hole centres, EV1*
20.214.01	FS-set, lever/pad, 92 mm hole centres, stainless steel*

Round bolt lock, anti-panic with split spindle housing

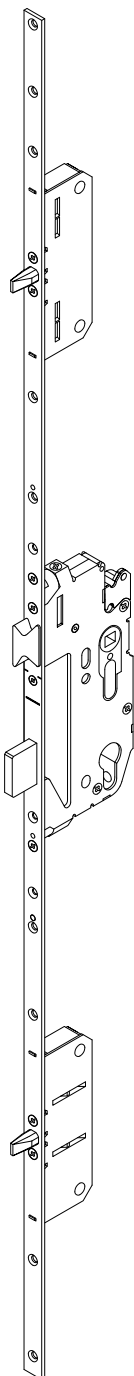
20.930.05	16 mm faceplate, 45 mm backset, right outwards
20.930.051	16 mm faceplate, 45 mm backset, left outwards
20.932.73	20 mm faceplate, 35 mm backset, right outwards
20.932.731	20 mm faceplate, 35 mm backset, left outwards
20.932.75	20 mm faceplate, 45 mm backset, right outwards
20.932.751	20 mm faceplate, 45 mm backset, left outwards
20.935.73	24 mm U-plate, 35 mm backset, right outwards
20.935.731	24 mm U-plate, 35 mm backset, left outwards
20.935.75	24 mm U-plate, 45 mm backset, right outwards
20.935.751	24 mm U-plate, 45 mm backset, left outwards
20.937.73	24 mm faceplate, 35 mm backset, right outwards
20.937.731	24 mm faceplate, 35 mm backset, left outwards
20.937.75	24 mm faceplate, 45 mm backset, right outwards
20.937.751	24 mm faceplate, 45 mm backset, left outwards
19.900.002	spindle Anti-Panic 8/9/8 mm, 130 mm, split spindle housing F/R-Keeps left, SilverLine (according to profile) F/R-Keeps right, SilverLine (according to profile) round bolt-keep, SilverLine (according to profile)
20.214.12	FS-set, lever/pad, 92 mm hole centres, EV1*
20.214.11	FS-set, lever/pad, 92 mm hole centres, stainless steel*

Anti-panic-profile cylinder, nickel plated with free wheel coupling function in accordance with DIN EN 179/1125

23.006.15	10/10 extended*
23.006.17	10/20 extended*
23.006.18	10/25 extended*
23.006.25	15/15 extended*
23.006.26	15/20 extended*
23.006.27	15/30 extended*

■ **N.B.**

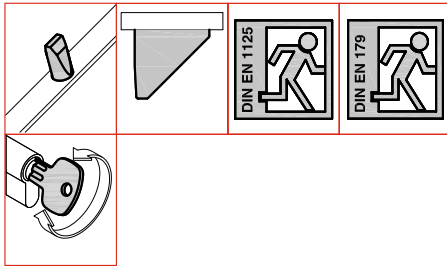
The Anti-Panic Lock, tested in accordance with the requirements of DIN 179 is only available as a complete package with FS-set, keeps, spindle and profile cylinder.



- 2A
- 2B
- 2C
- 2D
- 2E
- 2F

* on request.
Delivery time approx. 6-8 weeks.

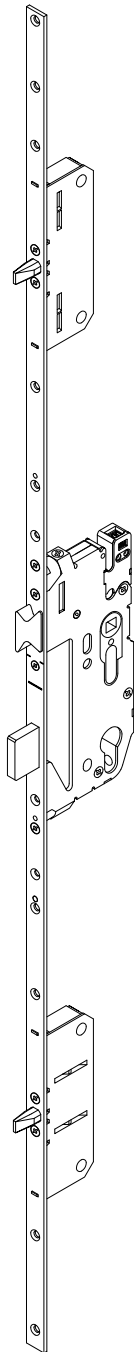
Anti-Panic Locks for 2-leaf house doors
see pages 2-A-0250, 2-A-0255.



Round bolt locks with anti-panic function for emergency doors which fulfill the requirements of DIN EN 1125 and DIN EN 179, double turn, 14 mm bolt travel. The hardened steel bolts have an 11 mm thickness.

- It is essential that a profile cylinder fitted with an emergency mechanism is used (unrestricted movement).
- With an integrated switch contact to the spindle scan for legitimate exiting in the event of an alarm.

- Faceplate/Finish: F 16 x 2,7 mm **Silverline**
 F 20 x 2,7 mm **stainless steel**
 F 24 x 2,7 mm **stainless steel**
 U 24 x 6,0 mm **stainless steel**
 Hole centres: 92 mm
 Spindle-housing: 9 mm
 Total length: 2.170 mm
 ■ Boxed qty: 1 piece



Round bolt lock, anti-panic with solid spindle housing

20.950.03	16 mm faceplate, 35 mm backset*
20.950.04	16 mm faceplate, 40 mm backset*
20.950.05	16 mm faceplate, 45 mm backset*
20.952.73	20 mm faceplate, 35 mm backset*
20.952.75	20 mm faceplate, 45 mm backset*
20.955.73	24 mm U-plate, 35 mm backset*
20.955.75	24 mm U-plate, 45 mm backset*
20.957.73	24 mm faceplate, 35 mm backset*
20.957.75	24 mm faceplate, 45 mm backset*

Round bolt lock, anti-panic with split spindle housing

20.960.05	16 mm faceplate, 45 mm backset, right outwards*
20.960.051	16 mm faceplate, 45 mm backset, left outwards*
20.962.73	20 mm faceplate, 35 mm backset, right outwards*
20.962.731	20 mm faceplate, 35 mm backset, left outwards*
20.962.75	20 mm faceplate, 45 mm backset, right outwards*
20.962.751	20 mm faceplate, 45 mm backset, left outwards*
20.965.73	24 mm U-plate, 35 mm backset, right outwards*
20.965.731	24 mm U-plate, 35 mm backset, left outwards*
20.965.75	24 mm U-plate, 45 mm backset, right outwards*
20.965.751	24 mm U-plate, 45 mm backset, left outwards*
20.967.73	24 mm faceplate, 35 mm backset, right outwards*
20.967.731	24 mm faceplate, 35 mm backset, left outwards*
20.967.75	24 mm faceplate, 45 mm backset, right outwards*
20.967.751	24 mm faceplate, 45 mm backset, left outwards*

Anti-panic-profile cylinder, nickel plated with free wheel coupling function in accordance with DIN EN 179/1125

23.006.15	10/10 extended*
23.006.17	10/20 extended*
23.006.18	10/25 extended*
23.006.25	15/15 extended*
23.006.27	15/30 extended*

■ **N.B.**

The Anti-Panic Lock, tested in accordance with the requirements of DIN 1125 is only available as a complete package with handle bar, keeps, spindle and profile cylinder.

2A

2B

2C

2D

2E

2F

3

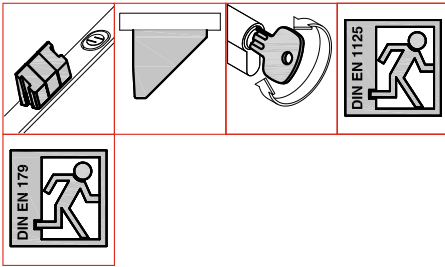
Automatic Panic Lock 3S-AP*

in accordance with DIN 1125/179, 1-piece spindle function

Window-Technology

2-A-0230

1



During closure of the door both latch bolts automatically move into the locked end position. From outside the bolts and the latch are retracted via the profile cylinder (latch lever function).

From inside the bolts and the latch can be retracted in the usual manner via the door lever/panic bar.

Faceplate/Finish: F 16 x 2,7 mm **SilverLine**
 F 20 x 2,7 mm **SilverLine**
 F 24 x 2,7 mm **stainless steel**
 U 24 x 6,0 mm **stainless steel**
 Hole centres: 92 mm
 Spindle-housing: 9 mm
 Rear backset: 18 mm
 Total length: 2.170 mm
 ■ Boxed qty.: 1 and 5 pieces

Automatic anti-panic lock, 16 mm faceplate, SilverLine

24.471.03	35 mm backset*
24.471.04	40 mm backset*
24.471.05	45 mm backset*
24.471.06	55 mm backset*

Automatic anti-panic lock, 20 mm faceplate, SilverLine

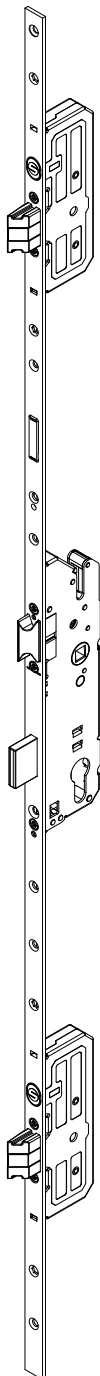
24.472.03	35 mm backset*
24.472.04	40 mm backset*
24.472.05	45 mm backset*
24.472.06	55 mm backset*

Automatic anti-panic lock, 24 mm U-plate, stainless steel

24.476.73	35 mm backset*
24.476.74	40 mm backset*
24.476.75	45 mm backset*

Automatic anti-panic lock, 24 mm faceplate, stainless steel

24.477.73	35 mm backset*
24.477.74	40 mm backset*
24.477.75	45 mm backset*



2A

2B

2C

2D

2E

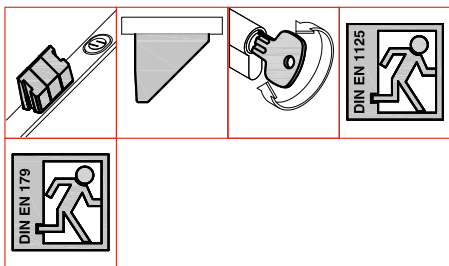
2F

3

* on request.

Automatic Panic Lock 3S-AP*

in accordance with DIN 1125/179, split spindle function



During closure of the door both latch bolts automatically move into the locked end position. From outside the bolts and the latch are retracted via the profile cylinder (latch lever function).

From inside the bolts and the latch can be retracted in the usual manner via the door lever/panic bar.

Following actuation from inside, the door can also be opened from outside until it is manually relocked.

Faceplate/Finish: F 16 x 2,7 mm **SilverLine**
 F 20 x 2,7 mm **SilverLine**
 F 24 x 2,7 mm **stainless steel**
 U 24 x 6,0 mm **stainless steel**
 Hole centres: 92 mm
 Spindle-housing: 9 mm
 Rear backset: 18 mm
 Total length: 2.170 mm
 ■ Boxed qty: 1 and 5 pieces

Automatic anti-panic lock, 16 mm faceplate, split spindle housing, SilverLine

24.471.031	35 mm backset, left*
24.471.032	35 mm backset, right*
24.471.041	40 mm backset, left*
24.471.042	40 mm backset, right*
24.471.051	45 mm backset, left*
20.471.052	45 mm backset, right*
24.471.061	55 mm backset, left*
24.471.062	55 mm backset, right*

Automatic anti-panic lock, 20 mm faceplate, split spindle housing, SilverLine

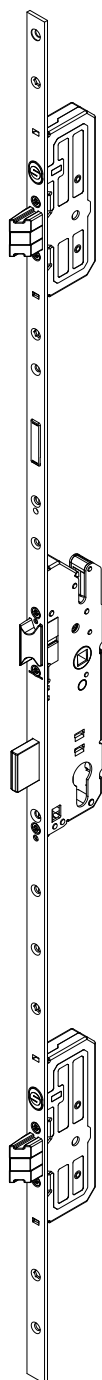
24.472.031	35 mm backset, left*
24.472.032	35 mm backset, right*
24.472.041	40 mm backset, left*
24.472.042	40 mm backset, right*
24.472.051	45 mm backset, left*
24.472.052	45 mm backset, right*
24.472.061	55 mm backset, left*
24.472.062	55 mm backset, right*

Automatic anti-panic lock, 24 mm U-plate, split spindle housing, stainless steel

24.476.731	35 mm backset, left
24.476.732	35 mm backset, right
24.476.741	40 mm backset, left
24.476.742	40 mm backset, right
24.476.751	45 mm backset, left
24.476.752	45 mm backset, right

Automatic anti-panic lock, 24 mm faceplate, split spindle housing, stainless steel

24.477.731	35 mm backset, left*
24.477.732	35 mm backset, right*
24.477.741	40 mm backset, left*
24.477.742	40 mm backset, right*
24.477.751	45 mm backset, left*
24.477.752	45 mm backset, right



- 2A
- 2B
- 2C
- 2D
- 2E
- 2F
- 3

* on request.

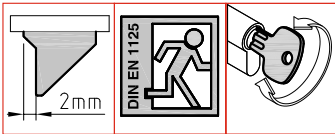
Anti-Panic Lock P21 for emergency-exit doors*

in accordance with DIN 1125, with stepped latch

Window-Technology

2-A-0240

1



Inside lever, outside fixed handle or pad,
with an extended faceplate, dead bolt 2-turn,
20 mm bolt travel.
Rear backset 18 mm.

Faceplate/Finish: F 16 x 2,7 mm **SilverLine**
 F 20 x 2,7 mm **SilverLine**
 F 24 x 2,7 mm **stainless steel**
 U 24 x 6,0 mm **stainless steel**
 Hole centres: 92 mm
 Spindle-housing: 9 mm
 Total length: 292 mm
 ■ Boxed qty: 1 piece

Anti-panic lock P21 16 mm faceplate, SilverLine

27.103.03 35 mm backset, left, right*
 27.103.04 40 mm backset, left, right*
 27.103.05 45 mm backset, left, right*

Anti-panic lock P21 20 mm faceplate, SilverLine

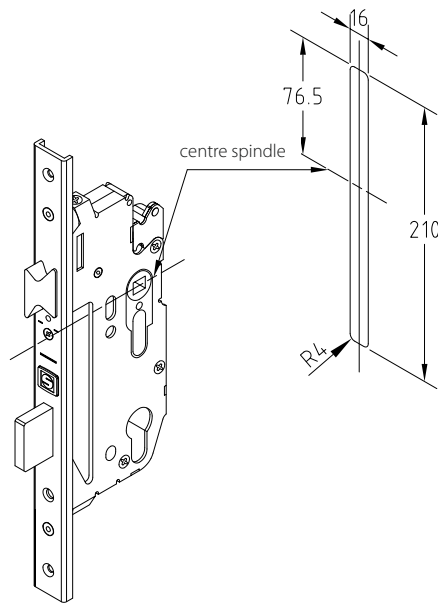
27.104.03 35 mm backset, left, right*
 27.104.04 40 mm backset, left, right*
 27.104.05 45 mm backset, left, right*

Anti-panic lock P21 24 mm faceplate, stainless steel

27.105.03 35 mm backset, left, right*
 27.105.04 40 mm backset, left, right*
 27.105.05 45 mm backset, left, right*

Anti-panic lock P21 24 mm U-plate, stainless steel

27.106.03 35 mm backset, left, right*
 27.106.04 40 mm backset, left, right*
 27.106.05 45 mm backset, left, right*
 43.008.03 push-on brush 9/8 mm



■ Emergency-exit locks in accordance with DIN EN 179 and Anti-Panic Locks
in accordance with DIN EN 1125 on request.

2A

2B

2C

2D

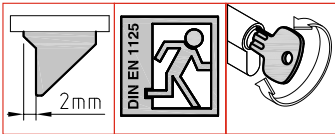
2E

2F

3

* on request.

Strikers see from page 2-B-0100.
 Jigs and templates see page 2-A-0840.
 Lever sets see from page 2-C-0090.



Levers on both sides, with extended faceplate,
deadbolt 2-turn, 20 mm bolt travel.
Rear backset 18 mm.

Faceplate/Finish: F 16 x 2,7 mm **SilverLine**
 F 20 x 2,7 mm **SilverLine**
 F 24 x 2,7 mm **stainless steel**
 U 24 x 6,0 mm **stainless steel**
 Hole centres: 92 mm
 Spindle-housing: 9 mm
 Total length: 292 mm
 ■ Boxed qty.: 1 piece

Anti-panic lock P21, 16 mm faceplate, SilverLine

- 27.103.031 35 mm backset, left outwards, right inwards*
- 27.103.032 35 mm backset, right outwards, left inwards*
- 27.103.041 40 mm backset, left outwards, right inwards*
- 27.103.042 40 mm backset, right outwards, left inwards*
- 27.103.051 45 mm backset, left outwards, right inwards*
- 27.103.052 45 mm backset, right outwards, left inwards*

Anti-panic lock P21, 20 mm faceplate, SilverLine

- 27.104.031 35 mm backset, left outwards, right inwards*
- 27.104.032 35 mm backset, right outwards, left inwards*
- 27.104.041 40 mm backset, left outwards, right inwards*
- 27.104.042 40 mm backset, right outwards, left inwards*
- 27.104.051 45 mm backset, left outwards, right inwards*
- 27.104.052 45 mm backset, right outwards, left inwards*

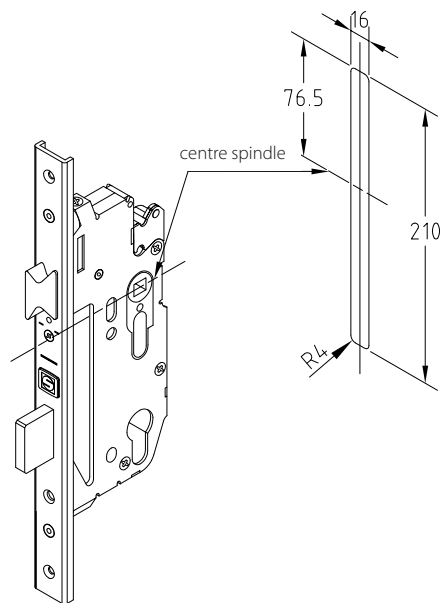
Anti-panic lock P21, 24 mm faceplate, stainless steel

- 27.105.031 35 mm backset, left outwards, right inwards*
- 27.105.032 35 mm backset, right outwards, left inwards*
- 27.105.041 40 mm backset, left outwards, right inwards*
- 27.105.042 40 mm backset, right outwards, left inwards*
- 27.105.051 45 mm backset, left outwards, right inwards*
- 27.105.052 45 mm backset, right outwards, left inwards*

Anti-panic lock P21, 24 mm U-plate, stainless steel

- 27.106.031 35 mm backset, left outwards, right inwards*
- 27.106.032 35 mm backset, right outwards, left inwards*
- 27.106.041 40 mm backset, left outwards, right inwards*
- 27.106.042 40 mm backset, right outwards, left inwards*
- 27.106.051 45 mm backset, left outwards, right inwards*
- 27.106.052 45 mm backset, right outwards, left inwards*
- 19.900.002 spindle anti-panic, 8/9/8 mm, 130 mm

■ Emergency-exit locks in accordance with DIN EN 179 and Anti-Panic Locks
in accordance with DIN EN 1125 on request.



2A

2B

2C

2D

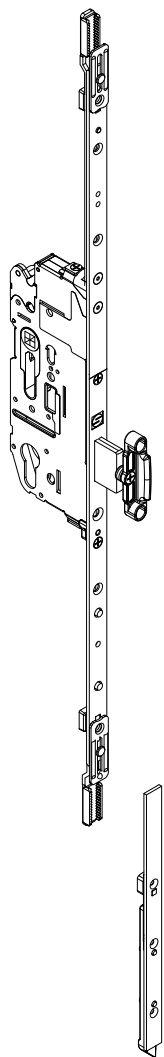
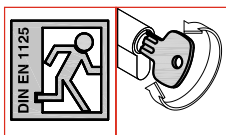
2E

2F

3

* on request.

Strikers see from page 2-B-0100.
Jigs and templates see page 2-A-0840.
Lever sets see from page 2-C-0090.



Domestic door solution for 2-leaf emergency doors

consisting of a round bolt door lock for the active leaf and a locking set for the passive leaf. The steel bolts of the RB-lock on the active leaf are hardened and have a thickness of 11 mm.

■ Active leaf

For use with Schüring round bolt emergency lock (See page 2-A-0220).

■ Passive leaf

Locking set consisting of: lock, bottom bolting, top bolting and a set of keeps.

Lock for Passive leaf

Finish:	Silverline
Faceplate:	F 16 x 2,7 mm
.....	F 20 x 2,7 mm
Hole centres: 92 mm
Spindle-housing:	9 mm
Total length:	900 mm
■ Boxed qty:	1 piece

20.940.03	16 mm faceplate, 35 mm backset
20.940.04	16 mm faceplate, 40 mm backset*
20.940.05	16 mm faceplate, 45 mm backset
20.940.06	16 mm faceplate, 55 mm backset*
20.940.07	16 mm faceplate, 65 mm backset*
20.942.04	20 mm faceplate, 40 mm backset*
20.942.05	20 mm faceplate, 45 mm backset
20.942.06	20 mm faceplate, 55 mm backset*
20.942.07	20 mm faceplate, 65 mm backset*

Bottom bolting for

handle height 1.020 mm

■ Boxed qty: 1 piece

20.920.90	16 mm faceplate, left
20.920.91	16 mm faceplate, right
20.922.90	20 mm faceplate, left*
20.922.91	20 mm faceplate, right*

2A

2B

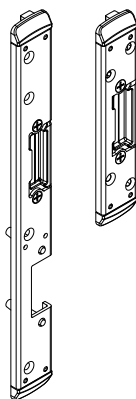
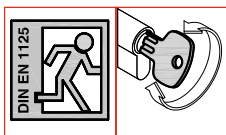
2C

2D

2E

2F

3



Domestic door solution for 2-leaf emergency doors

consisting of a round bolt door lock for the active leaf and a locking set for the passive leaf. The steel bolts of the RB-lock on the active leaf are hardened and have a thickness of 11 mm.

Top bolting for sash rebate heights 1.870–2.170 mm

■ Boxed qty.: 1 piece

20.920.96	16 mm faceplate, left
20.920.97	16 mm faceplate, right
20.922.96	20 mm faceplate, left
20.922.97	20 mm faceplate, right

Top bolting for sash rebate heights 2.105–2.405 mm

■ Boxed qty.: 1 piece

20.920.98	16 mm faceplate, left*
20.920.99	16 mm faceplate, right*
20.922.98	20 mm faceplate, left*
20.922.99	20 mm faceplate, right*

Set of keeps for left-and right-handed doors, 13 mm axis dimension only.

■ Boxed qty.: 1 set

16.987.01	set of PVC keeps with oppositely arranged fittings groove
-----------	---

Accessories according to door construction

Keep, top and bottom, corresponding to profile
Bottom keep for floor sill see page 2-A-0721

Emergency handle bar

■ Boxed qty.: 1 piece

27.003.01	inside emergency handle bar, 1.100 mm, EV1
27.003.02	inside emergency handle bar, 1.100 mm, stainless steel
27.004.03	outside knob, on elongated plate, stainless steel
27.004.07	outside handle on long plate silver-colored anodized for 9 mm spindle
43.009.10	spindle 9/100 mm
43.010.01	spindle 9/55 mm split, outside with thread
43.010.02	spindle 9/60 mm split, outside with thread
43.010.03	spindle 9/67 mm split, outside with thread
43.010.04	spindle 9/74 mm split, outside with thread
43.011.01	spindle 9/46 mm split, inside with screw
43.011.02	spindle 9/53 mm split, inside with screw
43.011.03	spindle 9/60 mm split, inside with screw
43.011.04	spindle 9/67 mm split, inside with screw

2A

2B

2C

2D

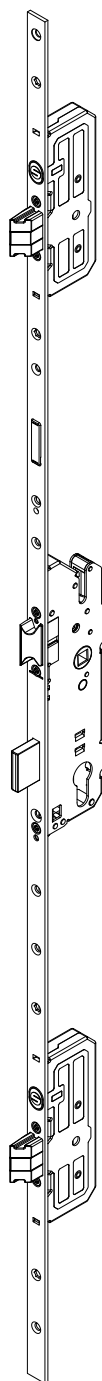
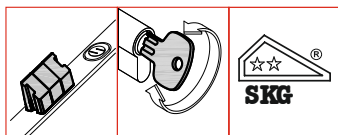
2E

2F

3

* on request.

Further locks and accessories see page 2-A-0250.
Active leaf see page 2-A-0220, 0225.
Passive leaf see page 2-A-0250.



During the closure of the door two solid bolts travel out automatically and effect a multi-locking of the door, therefore it is not possible to forget to lock the door. There is constant counter-action to any possible warping of the door.

Function

Automatic locking of both latch bolts during closure of the door is actuated by magnetic release. With a turn of the key the main bolt is moved into the locked position to safeguard the locking. At the same time the actuation of the internal lever, for checking purposes, is blocked.

Advantages

- automatic locking, which cannot be forgotten, increases security
- the additional latches act as solid bolts as soon as the door is closed
- latch bolt with 20 mm travel and counter-pressure protection in the event of increased bolt travel pressure

- constant counteraction for any possible door warping
- the modular construction of the lock allows for flexibility in the application possibilities
- all additional components, such as safety catches, additional locks or cranked latches can be retrofitted at any time
- high quality materials assure long-life durability

Finish: **SilverLine**

Faceplate: F 16 x 2,7 mm

..... F 20 x 2,7 mm

..... F 24 x 2,7 mm

..... U 24 x 6,0 mm

Lever height: 1.020 mm

Hole centres: 92 mm

Spindle-housing: 8 mm

Rear backset: 18 mm

Total length: 2.170 mm

■ Boxed qty: Faceplate F 16 5 pieces

Faceplate F 20, 24 4 pieces

Faceplate U 24 4 pieces

Automatic lock 3S-A, 16 mm faceplate

24.441.03	35 mm backset
24.441.04	40 mm backset
24.441.05	45 mm backset
24.441.06	55 mm backset
24.441.13	35 mm backset, latch and dead bolt with top lock case at 214 mm*
24.441.14	40 mm backset, latch and dead bolt with top lock case at 214 mm*
24.441.15	45 mm backset, latch and dead bolt with top lock case at 214 mm*

Automatic lock 3S-A, 20 mm faceplate

24.442.05	45 mm backset
24.442.06	55 mm backset
24.442.75	45 mm backset, stainless steel, marked at 980 mm
24.442.15	45 mm backset, latch and dead bolt with top lock case at 214 mm, marked at 980 mm*
24.442.16	55 mm backset, latch and dead bolt with top lock case at 214 mm
24.442.95	45 mm backset, stainless steel, 2.400 mm, marked at 980 mm

Automatic lock 3S-A, 24 mm U-plate

24.446.75	45 mm backset, stainless steel, even latch, with latch-fixing
24.446.13	35 mm backset, latch and dead bolt with top lock case at 214 mm
24.446.85	45 mm backset, stainless steel, latch and dead bolt with top lock case at 214 mm, even latch, with latch - fixing
24.446.95	45 mm backset, stainless steel, 2.400 mm, marked at 950 mm, even latch, with latch-fixing

Automatic lock 3S-A, 24 mm faceplate

24.447.05	45 mm backset
24.447.73	35 mm backset, stainless steel, marked at 980 mm
24.447.75	45 mm backset, stainless steel, marked at 980 mm
24.447.15	45 mm backset, latch and dead bolt with top lock case at 214 mm*
24.447.83	35 mm backset, latch and dead bolt with top lock case at 214 mm, stainless steel, marked at 980 mm
24.447.85	45 mm backset, latch and dead bolt with top lock case at 214 mm, stainless steel, marked at 980 mm
24.447.93	35 mm backset, stainless steel, 2.400 mm, marked at 980 mm
24.447.95	45 mm backset, stainless steel, 2.400 mm, marked at 980 mm

F/R-Keeps see pages 2-B-0100, 2-B-0105. Automatic keeps see page 2-B-0140.

Safety catch lock cases, bulk see page 2-A-0825. (Function: via knob from inside, cannot be opened from outside). Safety catch locks, see page 2-A-0325.

2A

2B

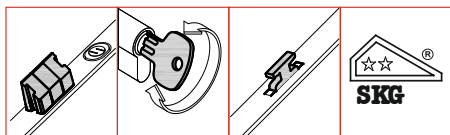
2C

2D

2E

2F

3



During the closure of the door two solid bolts travel out automatically and effect a multi-locking of the door, therefore it is not possible to forget to lock the door. There is constant counter-action to any possible warping of the door.

Function

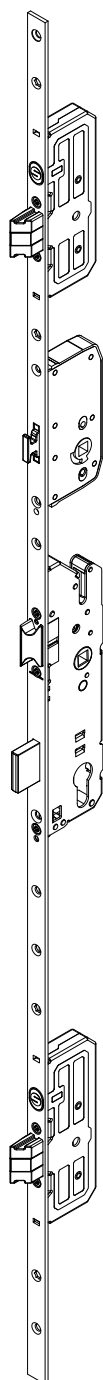
Automatic locking of both latch bolts during closure of the door is actuated by magnetic release. With a turn of the key the main bolt is moved into the locked position to safeguard the locking. At the same time the actuation of the internal lever, for checking purposes, is blocked.

Advantages

- automatic locking, which cannot be forgotten, increases security
- the additional latches act as solid bolts as soon as the door is closed
- latch bolt with 20 mm travel and counter-pressure protection in the event of increased bolt travel pressure

- constant counteraction for any possible door warping
- the modular construction of the lock allows for flexibility in the application possibilities
- all additional components, such as safety catches, additional locks or cranked latches can be retrofitted at any time
- high quality materials assure long-life durability

Finish:	Silverline
Faceplate:	F 16 x 2,7 mm
.....	F 20 x 2,7 mm
.....	F 24 x 2,7 mm
.....	U 24 x 6,0 mm
Lever height:	1.020 mm
Hole centres:92 mm
Spindle-housing:	8 mm
Rear backset:	18 mm
Total length:	2.170 mm
■ Boxed qty:	Faceplate F 16 5 pieces
	Faceplate F 20, 24 4 pieces
	Faceplate U 24 4 pieces



Automatic lock 3S-A, safety catch, 16 mm faceplate

24.441.23	35 mm backset*
24.441.24	40 mm backset
24.441.25	45 mm backset*

Automatic lock 3S-A, safety catch, 20 mm faceplate

24.442.25	45 mm backset*
24.442.65	45 mm backset, stainless steel, marked at 980 mm*

Automatic lock 3S-A, safety catch, 24 mm U-plate

24.446.65	45 mm backset, stainless steel, even latch
24.446.63	35 mm backset, stainless steel,

Automatic lock 3S-A, safety catch, 24 mm faceplate

24.447.63	35 mm backset, stainless steel, marked at 980 mm
24.447.65	45 mm backset, stainless steel, marked at 980 mm*

F/R-Keeps see pages 2-B-0100, 2-B-0105.
Automatic keeps see page 2-B-0140.

2A

2B

2C

2D

2E

2F

3

* on request.

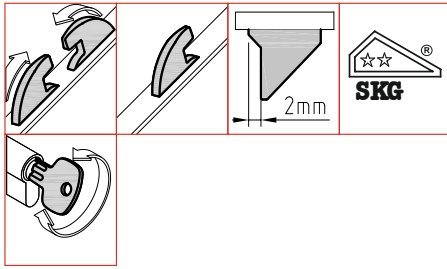
Residential Door Lock ZV 550

Version P, latch-lever version

Window-Technology

2-A-0420

1



The counter movement Pivot Bolt-Technology, with hook bolt contact into the keep and the rigid, non-sprung bolt which is locked in the final position (which will satisfy the requirements of DIN 18251-3) guarantees highest security.

At the same time the system allows precise adjustment of the bolt and hook enclosure into the keeps which results in exceptional ease of operation. Non-handed.

Corrosion resistance according to a salt spray test approx. 480 hours.

Finish: **Blackline**
 Faceplate: F 16 x 2,7 mm
 Hole centres: 92 mm
 Spindle-housing: 8 mm
 Rear backset: 18 mm
 Total length: 2.100 mm
 Faceplate: Protective lacquered coating in accordance with DIN 50021
 ■ Boxed qty.: 1 and 5 pieces

Pivot bolt lock, 16 mm faceplate

SRH 1.960 – 2.100 mm

19.401.01	26 mm backset, without bolt
19.401.02	30 mm backset, without bolt
19.401.03	35 mm backset
19.401.04	40 mm backset
19.401.05	45 mm backset
19.401.06	55 mm backset

Pivot bolt lock, top lock case 150 mm lower

prepared for extra locking device

SRH 1.810 – 2.100 mm

19.401.12	30 mm backset, without bolt
19.401.13	35 mm backset*
19.401.14	40 mm backset*
19.401.15	45 mm backset
19.401.16	55 mm backset*

19.400.01 extra locking device 400 mm

SRH 2.100 – 2.500 mm

Faceplate end cap black

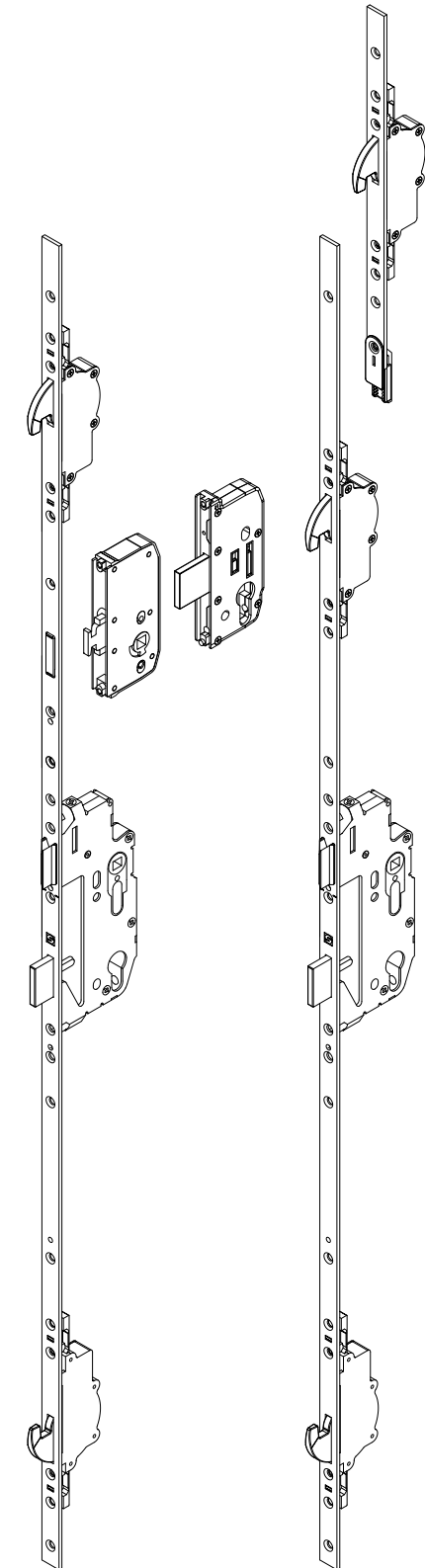
19.400.80

End plate

19.401.00 300 mm

Spindle bearing

16.000.00



2A

2B

2C

2D

2E

2F

3

* on request.

Strikers see from page 2-B-0100.
 Jigs and templates see page 2-A-0840.
 Lever sets see from page 2-C-0090.



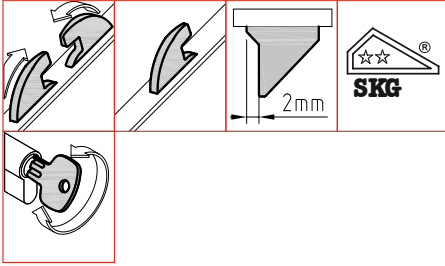
Residential Door Lock ZV 560

Version P, latch-lever version

Window-Technology

2-A-0422

1



The counter movement Pivot Bolt-Technology, with hook bolt contact into the keep and the rigid, non-sprung bolt which is locked in the final position (which will satisfy the requirements of DIN 18251-3) guarantees highest security.

At the same time the system allows precise adjustment of the bolt and hook enclosure into the keeps which results in exceptional ease of operation. Non-handed.

Corrosion resistance according to a salt spray test approx. 480 hours.

Finish: **Blackline**
 Faceplate: F 20 x 2,7 mm
 Hole centres: 92 mm
 Spindle-housing: 8 mm
 Rear backset: 18 mm
 Total length: 2.100 mm
 Faceplate: Protective lacquered coating in accordance with DIN 50021
 ■ Boxed qty.: 1 and 5 pieces

Pivot bolt lock, 20 mm faceplate

SRH 1.960 – 2.100 mm

19.402.05	45 mm backset
19.402.06	55 mm backset

■ Pivot bolt lock, 20 mm faceplate **top lock case 150 mm lower** only in SilverLine available, synchronized pivot bolt technology, see from page 2-A-0442.

Faceplate end cap black

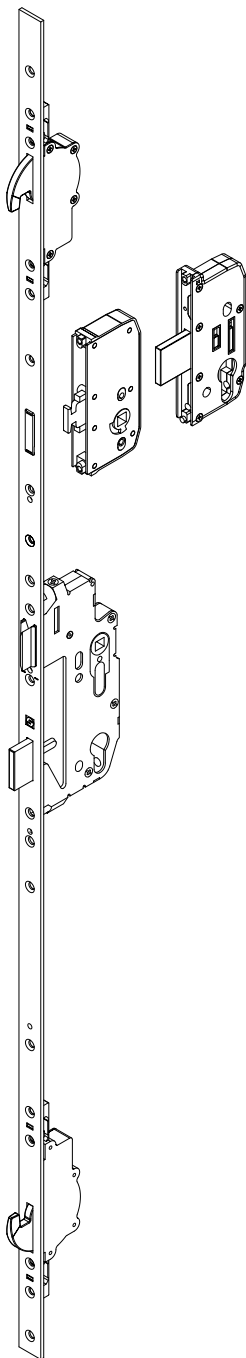
19.400.90

End plate

19.402.00 300 mm*

Spindle bearing

16.000.00



2A

2B

2C

2D

2E

2F

3

* on request.

Strikers see from page 2-B-0100.
 Jigs and templates see page 2-A-0840.
 Lever sets see from page 2-C-0090.



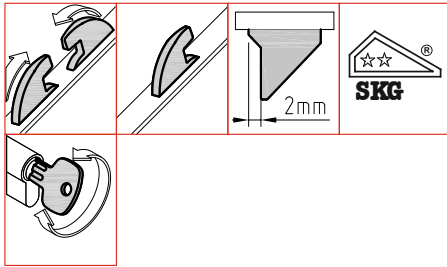
Residential Door Lock ZV 570

Version P, latch-lever version

Window-Technology

2-A-0424

1



The counter movement Pivot Bolt-Technology, with hook bolt contact into the keep and the rigid, non-sprung bolt which is locked in the final position (which will satisfy the requirements of DIN 18251-3) guarantees highest security.

At the same time the system allows precise adjustment of the bolt and hook enclosure into the keeps which results in exceptional ease of operation. Non-handed.

Corrosion resistance according to a salt spray test approx. 480 hours.

Finish: **Blackline**
 Faceplate: U 24 x 6,0 mm
 Hole centres: 92 mm
 Spindle-housing: 8 mm
 Rear backset: 18 mm
 Total length: 2.100 mm
 Faceplate: Protective lacquered coating in accordance with DIN 50021
 ■ Boxed qty.: 1 and 4 pieces

Pivot bolt lock, 24 mm U-plate

SRH 1.960 – 2.100 mm

19.405.03	35 mm backset
19.405.04	40 mm backset
19.405.05	45 mm backset
19.405.06	55 mm backset
19.405.751	45 mm backset, stainless steel, even latch

Pivot bolt lock, top lock case 150 mm lower

prepared for extra locking device

SRH 1.810 – 2.100 mm

19.405.13	35 mm backset*
19.405.14	40 mm backset
19.405.15	45 mm backset
19.405.16	55 mm backset*
19.400.05	extra locking device 400 mm
19.405.951	45 mm backset, stainless steel, even latch
19.400.07	extra locking device 585 mm, stainless steel

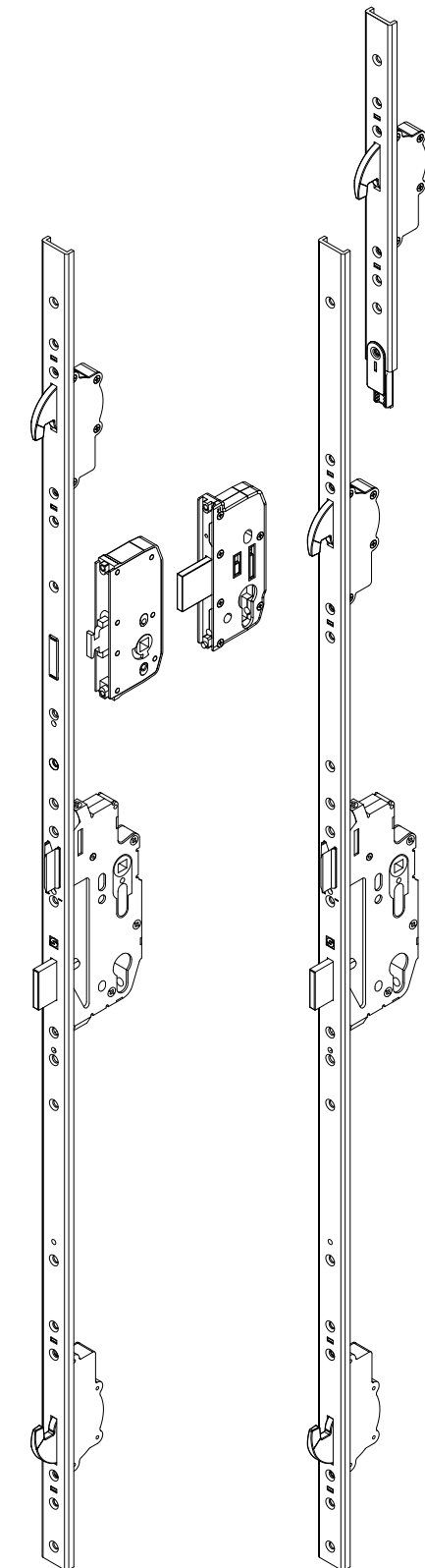
SRH 2.100 – 2.500 mm

End plate

19.405.00	300 mm*
-----------	---------

Spindle bearing

16.000.00



2A

2B

2C

2D

2E

2F

3

* on request.

Strikers see from page 2-B-0100.
 Jigs and templates see page 2-A-0840.
 Lever sets see from page 2-C-0090.



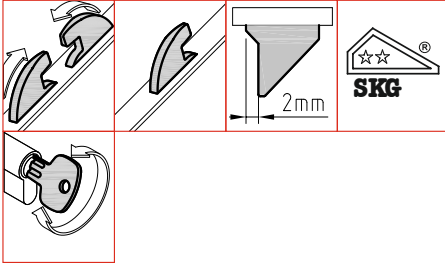
Residential Door Lock ZV 580

Version P, latch-lever version

Window-Technology

2-A-0428

1



The counter movement Pivot Bolt-Technology, with hook bolt contact into the keep and the rigid, non-sprung bolt which is locked in the final position (which will satisfy the requirements of DIN 18251-3) guarantees highest security.

At the same time the system allows precise adjustment of the bolt and hook enclosure into the keeps which results in exceptional ease of operation. Non-handed.

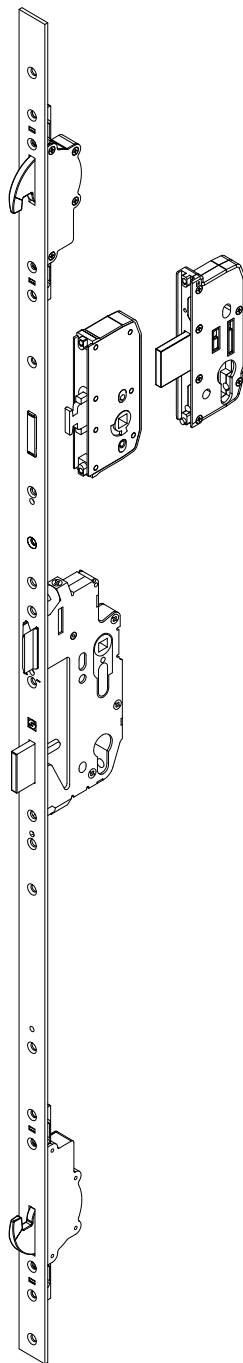
Corrosion resistance according to a salt spray test approx. 480 hours.

Finish: **Blackline**
 Faceplate: F 24 x 2,7 mm
 Hole centres: 92 mm
 Spindle-housing: 8 mm
 Rear backset: 18 mm
 Total length: 2.100 mm
 Faceplate: Protective lacquered coating in accordance with DIN 50021
 ■ Boxed qty.: 1 and 4 pieces

Pivot bolt lock, 24 mm faceplate

SRH 1.960 – 2.100 mm

19.407.05 45 mm backset, SKG



Spindle bearing

16.000.00



2A

2B

2C

2D

2E

2F

3

* on request.

Strikers see from page 2-B-0100.
 Jigs and templates see page 2-A-0840.
 Lever sets see from page 2-C-0090.

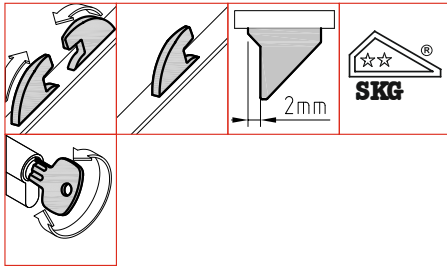
Residential Door Lock ZV

with 4 Pivot Bolts

Window-Technology

2-A-0430

1



The counter movement Pivot Bolt-Technology, with hook bolt contact into the keep and the rigid, non-sprung bolt which is locked in the final position (which will satisfy the requirements of DIN 18251-3) guarantees highest security.

At the same time the system allows precise adjustment of the bolt and hook enclosure into the keeps which results in exceptional ease of operation. Non-handed.

Corrosion resistance according to a salt spray test approx. 480 hours.

Faceplate/Finish: F 16 x 2,7 mm **Blackline**
 F 20 x 2,7 mm **stainless steel**
 U 24 x 6,0 mm **Blackline**
 Hole centres: 92 mm
 Spindle-housing: 8 mm
 Rear backset: 18 mm
 Total length: 2.100 mm
 Faceplate: Protective lacquered coating
 in accordance with DIN 50021
 ■ Boxed qty.: 1 and 5 pieces

Pivot bolt lock, 16 mm faceplate ZV 550

19.401.53 35 mm backset
 19.401.55 45 mm backset

Pivot bolt lock, 20 mm faceplate ZV 560, stainless steel

19.402.85 45 mm backset stainless steel

Pivot bolt lock, 24 mm U-plate ZV 570

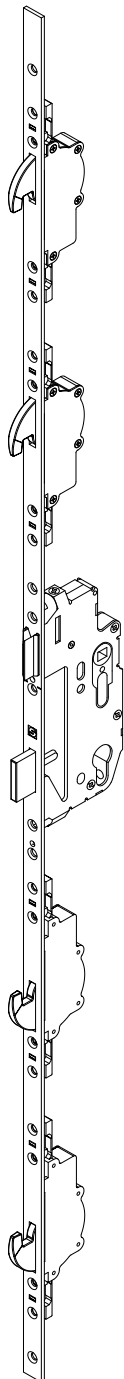
19.405.55 45 mm backset
 19.405.851 45 mm backset, stainless steel, even latch

End plate

19.401.00 300 mm

Spindle bearing

16.000.00



2A

2B

2C

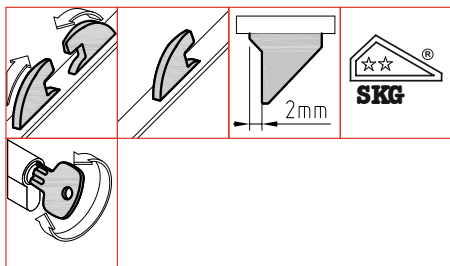
2D

2E

2F

3





The counter movement Pivot Bolt-Technology, with hook bolt contact into the keep and the rigid, non-sprung bolt which is locked in the final position (which will satisfy the requirements of DIN 18251-3) guarantees highest security.

At the same time the system allows precise adjustment of the bolt and hook enclosure into the keeps which results in exceptional ease of operation. Non-handed.

■ Pivot-bolt lock with an anti panic mechanism for emergency doors (inside-lever, outside fixed handle or pad) 20 mm bolt travel.

■ **Not tested by DIN 1125 and DIN 179**

■ It is essential that a panic cylinder, fitted with an emergency mechanism, is used (unrestricted movement).

Finish: **Blackline**
 Faceplate: F 16 x 2,7 mm
 F 20 x 2,7 mm
 U 24 x 6,0 mm
 Hole centres: 92 mm
 Spindle-housing: splitted, 9 mm
 Rear backset: 18 mm
 Total length: 2.100 mm
 Faceplate: Protective lacquered coating
 in accordance with DIN 50021
 ■ Boxed qty.: 1 and 5 pieces

Anti-panic lock ZV 556, 16 mm faceplate

19.901.053	45 mm backset, right inwards/left outwards opening
19.901.054	45 mm backset, left inwards/right outwards opening

Anti-panic lock ZV 566, 20 mm faceplate

19.902.053	45 mm backset, right inwards/left outwards opening
19.902.054	45 mm backset, left inwards/right outwards opening

Anti-panic lock ZV 576, 24 mm U-plate

19.905.053	45 mm backset, right inwards/left outwards opening
19.905.054	45 mm backset, left inwards/right outwards opening

Detachable lock cases for panic doors

For easy installation onto Schüring locks.

■ Boxed qty.: 1 and 5 pieces

19.999.031	35 mm backset, left outwards/right inwards opening
19.999.032	35 mm backset, right outwards/left inwards opening
19.999.041	40 mm backset, left outwards/right inwards opening
19.999.042	40 mm backset, right outwards/left inwards opening
19.999.051	45 mm backset, left outwards/right inwards opening
19.999.052	45 mm backset, right outwards/left inwards opening
19.999.061	55 mm backset, left outwards/right inwards opening
19.999.062	55 mm backset, right outwards/left inwards opening
19.900.002	spindle Anti-Panic, 8/9/8 mm, length 130 mm

Anti-panic-profile cylinder nickel plated with free wheel coupling function in accordance with DIN EN 179/1125

23.006.15	10/10 extended*
23.006.17	10/20 extended*
23.006.18	10/25 extended*
23.006.25	15/15 extended*
23.006.26	15/20 extended*
23.006.27	15/30 extended*

- For combinations with the Schüring Anti-Panic Locks, the use of freewheel cylinders is essential.
- Emergency-exit locks in accordance with DIN EN 179 and Anti-Panic Locks in accordance with DIN EN 1125 on request.

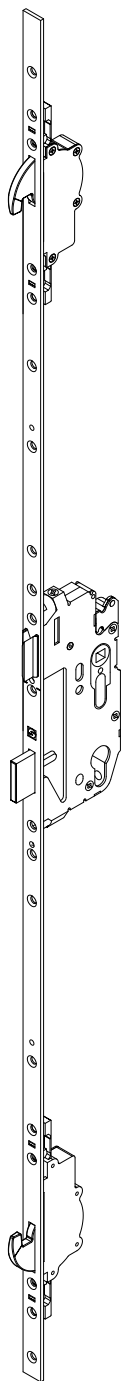


Illustration U-plate

Strikers see from page 2-B-0100.
 Jigs and templates see page 2-A-0840.
 Lever sets see from page 2-C-0090.



2A

2B

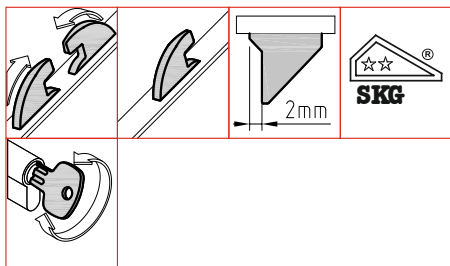
2C

2D

2E

2F

3



The counter movement Pivot Bolt-Technology, with hook bolt contact into the keep and the rigid, non-sprung bolt which is locked in the final position (which will satisfy the requirements of DIN 18251-3) guarantees highest security.

At the same time the system allows precise adjustment of the bolt and hook enclosure into the keeps which results in exceptional ease of operation. Non-handed.

- Pivot-bolt lock with an anti panic mechanism for emergency doors (inside-lever, outside fixed handle or pad) 20 mm bolt travel.
- **Not tested by DIN 1125 and DIN 179**
- It is essential that a panic cylinder, fitted with an emergency mechanism, is used (unrestricted movement).

Finish: **Blackline**
 Faceplate: F 16 x 2,7 mm
 F 20 x 2,7 mm
 U 24 x 6,0 mm
 Hole centres: 92 mm
 Spindle-housing: 9 mm
 Rear backset: 18 mm
 Total length: 2.100 mm
 Faceplate: Protective lacquered coating
 in accordance with DIN 50021
 ■ Boxed qty: 1 and 5 pieces

Anti-panic lock ZV 556, 16 mm faceplate

19.901.059 45 mm backset

Anti-panic lock ZV 566, 20 mm faceplate

19.902.059 45 mm backset

Anti-panic lock ZV 576, 24 mm U-plate

19.905.059 45 mm backset

Detachable lock cases for panic doors

For easy installation onto Schüring locks. ■ Boxed qty: 1 and 5 pieces

Also suitable for fire doors

19.999.03 35 mm backset
 19.999.04 40 mm backset
 19.999.05 45 mm backset
 19.999.06 55 mm backset
 19.997.039 roller latch, 35 mm backset, offsetted latch
 19.997.049 roller latch, 40 mm backset, offsetted latch
 19.997.059 roller latch, 45 mm backset, offsetted latch
 43.008.20 spindle 8/9/8, 130 mm length

Anti-panic-profile cylinder nickel plated with free wheel coupling function in accordance with DIN EN 179/1125

23.006.15 10/10 extended*
 23.006.17 10/20 extended*
 23.006.18 10/25 extended*
 23.006.25 15/15 extended*
 23.006.26 15/20 extended*
 23.006.27 15/30 extended*

- For combinations with the Schüring Anti-Panic Locks, the use of freewheel cylinders is essential.
- Emergency-exit locks in accordance with DIN EN 179 and Anti-Panic Locks in accordance with DIN EN 1125 on request.

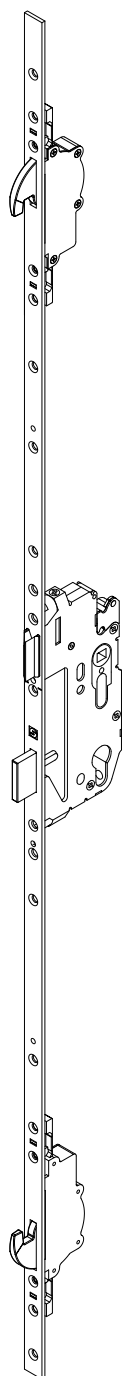
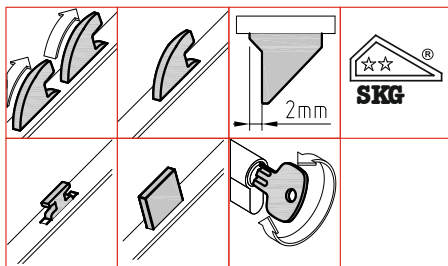


Illustration U-plate

Strikers see from page 2-B-0100.
 Jigs and templates see page 2-A-0840.
 Lever sets see from page 2-C-0090.



The synchronized Pivot Bolt Technology, with hooked bolt contact into the keep and the rigid, non-sprung bolt which is locked in the final position (in accordance with DIN 18251-3) warrants highest security. At the same time, the system allows precise adjustment of the bolt and hook enclosure into the keeps which results in exceptional ease of operation. Non-handed.

Finish: **Silverline**
 Faceplate: F 16 x 2,7 mm
 Hole centres: 92 mm
 Spindle-housing: 8 mm
 Rear backset: 18 mm
 Total length: 2.100 mm
 ■ Boxed qty.: 1 and 5 pieces

Pivot bolt lock, 16 mm faceplate **SRH 1.960 – 2.100 mm**

20.401.01	26 mm backset, without bolt
20.401.02	30 mm backset, bolt travel 14 mm*
20.401.03	35 mm backset
20.401.04	40 mm backset
20.401.05	45 mm backset
20.401.06	55 mm backset*
20.401.031	35 mm backset, even latch
20.401.051	45 mm backset, even latch

Pivot bolt lock, top lock case 150 mm lower
 prepared for extra locking device **SRH 1.810 – 2.100 mm**

20.401.11	26 mm backset, without bolt*
20.401.12	30 mm backset, 14 mm bolt*
20.401.13	35 mm backset*
20.401.14	40 mm backset*
20.401.15	45 mm backset
20.401.16	55 mm backset*
20.400.03	extra locking device 400 mm

SRH 2.100 – 2.500 mm

Faceplate end cap black

19.400.80

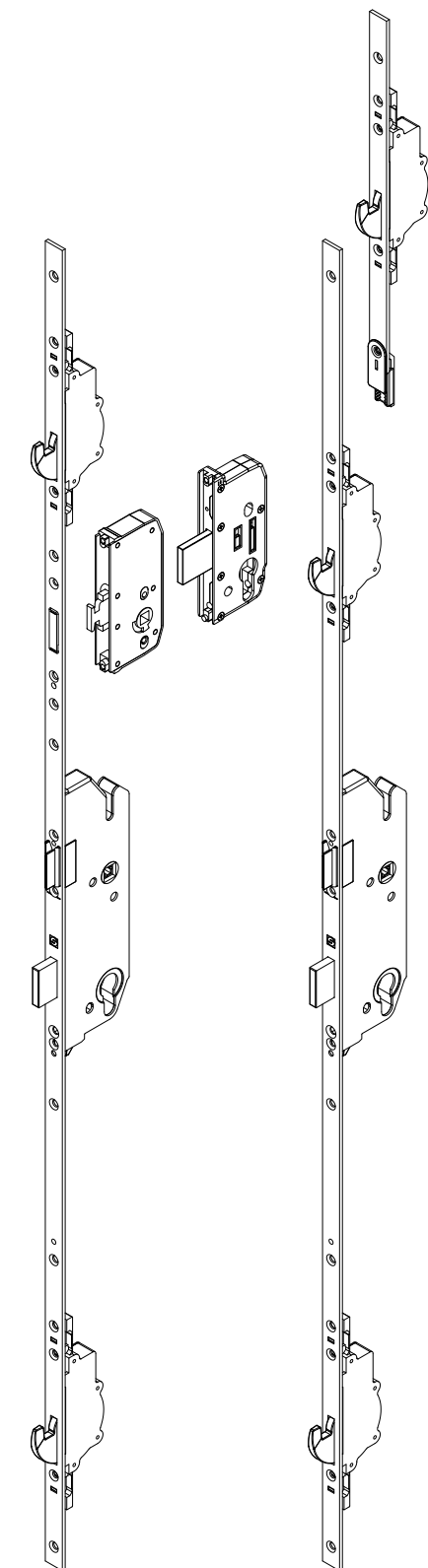
End plate

20.411.00 300 mm

- Accessories (see page 2-A-0825)
 - safety catch
 - additional lock
 - roller latch

Spindle bearing

16.000.00



2A

2B

2C

2D

2E

2F

3

* on request.

Strikers see from page 2-B-0100.
 Jigs and templates see page 2-A-0840.
 Lever sets see from page 2-C-0090.



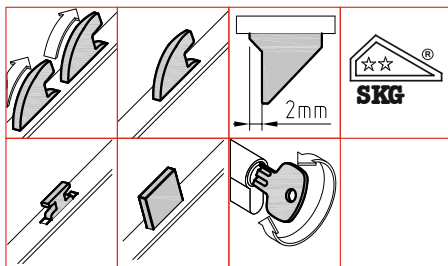
Residential Door Lock ZV 560

Version P, latch-lever version

Window-Technology

2-A-0442

1



The synchronized Pivot Bolt Technology, with hooked bolt contact into the keep and the rigid, non-sprung bolt which is locked in the final position (in accordance with DIN 18251-3) warrants highest security. At the same time, the system allows precise adjustment of the bolt and hook enclosure into the keeps which results in exceptional ease of operation. Non-handed.

Finish: **Silverline**
 Faceplate: F 20 x 2,7 mm
 Hole centres: 92 mm
 Spindle-housing: 8 mm
 Rear backset: 18 mm
 Total length: 2.100 mm
 ■ Boxed qty: 1 and 5 pieces

Pivot bolt lock, 20 mm faceplate **SRH 1.960 – 2.100 mm**

20.402.05 45 mm backset
 20.402.06 55 mm backset*

Pivot bolt lock, top lock case 150 mm lower **SRH 1.810 – 2.100 mm**

20.402.15 45 mm backset*
 20.402.16 55 mm backset*

Faceplate end cap black

19.400.90

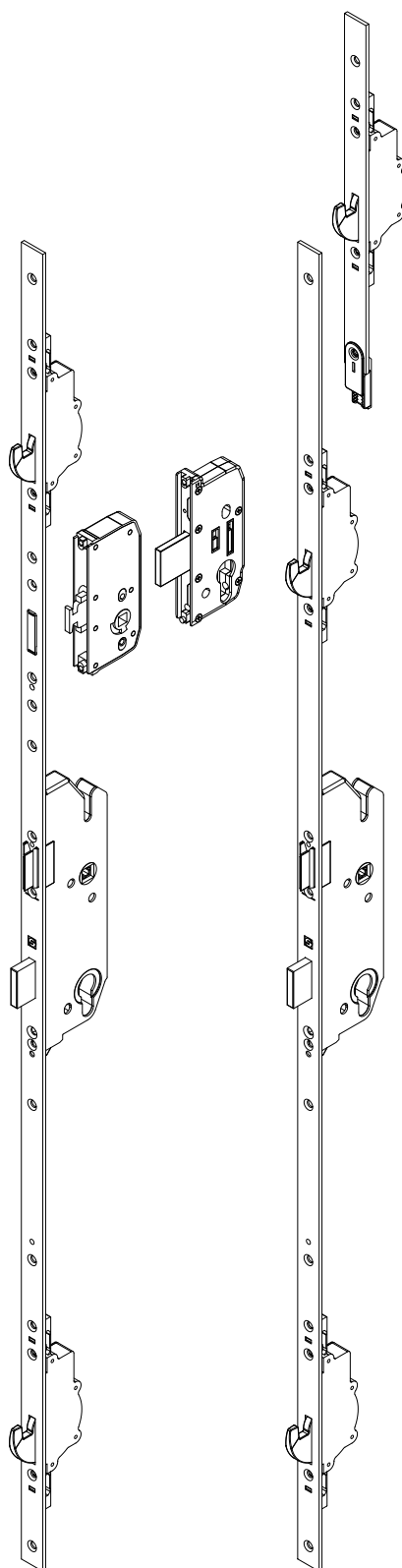
End plate

20.412.00 300 mm*

- Accessories (see page 2-A-0825)
 - safety catch
 - additional lock
 - roller latch

Spindle bearing

16.000.00



2A

2B

2C

2D

2E

2F

3

* on request.

Strikers see from page 2-B-0100.
 Jigs and templates see page 2-A-0840.
 Lever sets see from page 2-C-0090.



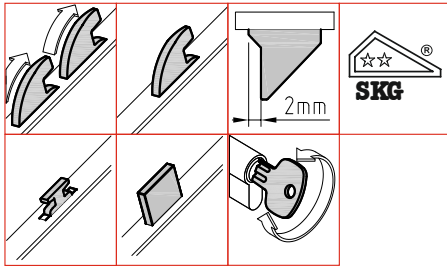
Residential Door Lock ZV 590

Version P, latch-lever version

Window-Technology

2-A-0446

1



The synchronized Pivot Bolt Technology, with hooked bolt contact into the keep and the rigid, non-sprung bolt which is locked in the final position (in accordance with DIN 18251-3) warrants highest security. At the same time, the system allows precise adjustment of the bolt and hook enclosure into the keeps which results in exceptional ease of operation. Non-handed.

Finish: **Silverline**
 Faceplate: F 22 x 2,7 mm
 Hole centres: 92 mm
 Spindle-housing: 8 mm
 Rear backset: 18 mm
 Total length: 2.100 mm
 ■ Boxed qty.: 1 and 5 pieces

Pivot bolt lock, 22 mm Flat plate

SRH 1.960 – 2.100 mm

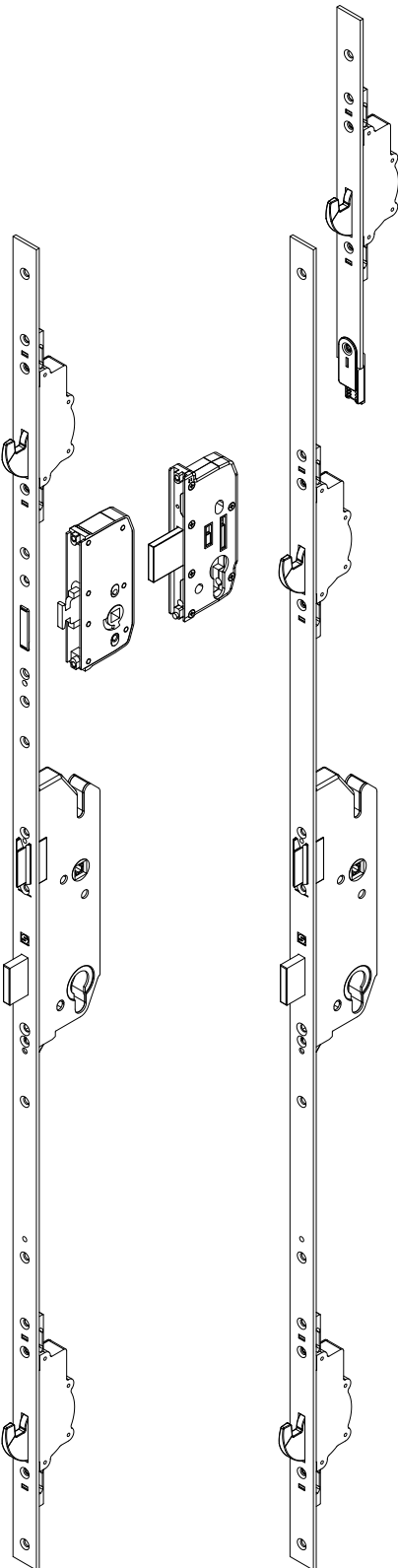
20.409.03	35 mm backset*
20.409.05	45 mm backset*
20.409.038	35 mm backset, non-stepped latch

Pivot bolt lock, top lock case 150 mm lower

SRH 1.810 – 2.100 mm

20.409.15	45 mm backset*
-----------	----------------

- Accessories (see page 2-A-0825)
 - safety catch
 - additional lock
 - roller latch



Spindle bearing

16.000.00



2A

2B

2C

2D

2E

2F

3

* on request.

Strikers see from page 2-B-0100.
 Jigs and templates see page 2-A-0840.
 Lever sets see from page 2-C-0090.

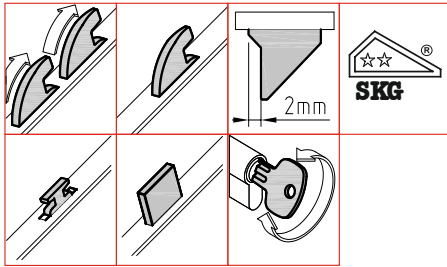
Residential Door Lock ZV 580

Version P, latch-lever version

Window-Technology

2-A-0448

1



The synchronized Pivot Bolt Technology, with hooked bolt contact into the keep and the rigid, non-sprung bolt which is locked in the final position (in accordance with DIN 18251-3) warrants highest security. At the same time, the system allows precise adjustment of the bolt and hook enclosure into the keeps which results in exceptional ease of operation. Non-handed.

Finish: **Silverline**
 Faceplate: F 24 x 2,7 mm
 Hole centres: 92 mm
 Spindle-housing: 8 mm
 Rear backset: 18 mm
 Total length: 2.100 mm
 ■ Boxed qty.: 1 and 4 pieces

Pivot bolt lock, 24 mm faceplate

SRH 1.960 – 2.100 mm

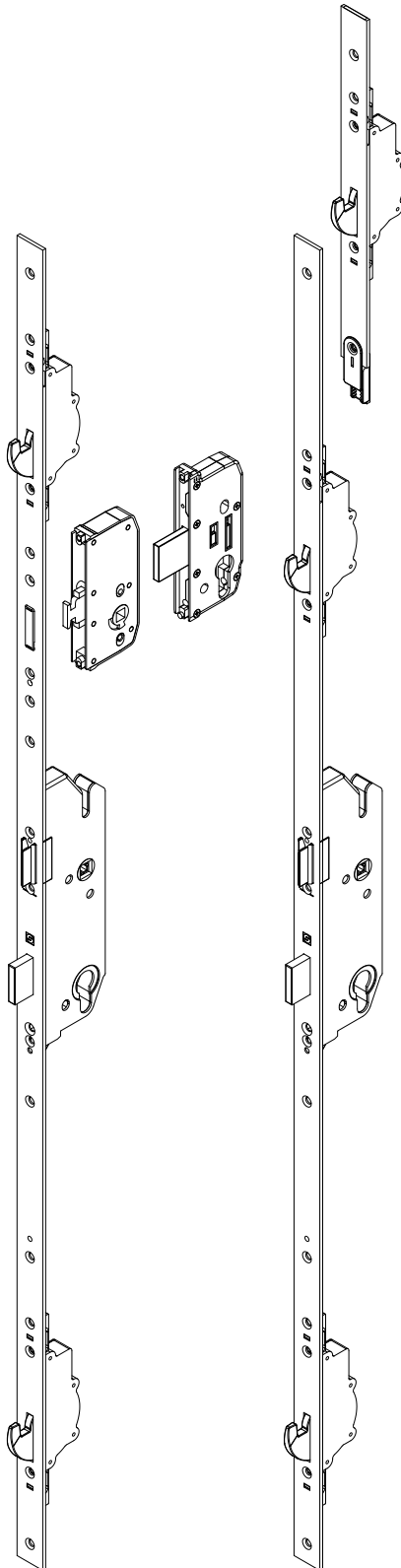
20.407.02	30 mm backset
20.407.03	35 mm backset
20.407.04	40 mm backset
20.407.05	45 mm backset
20.407.73	35 mm backset, stainless steel
20.407.74	40 mm backset, stainless steel

Pivot bolt lock, top lock case 150 mm lower

SRH 1.810 – 2.100 mm

20.407.13	35 mm backset
20.407.14	40 mm backset
20.407.15	45 mm backset
20.400.07	extra locking device 400 mm

- Accessories (see page 2-A-0825)
 - safety catch
 - additional lock
 - roller latch



Spindle bearing

16.000.00



2A

2B

2C

2D

2E

2F

3

* on request.

Strikers see from page 2-B-0100.
 Jigs and templates see page 2-A-0840.
 Lever sets see from page 2-C-0090.

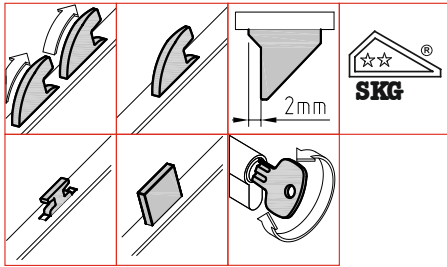
Residential Door Lock ZV 570

Version P, latch-lever version

Window-Technology

2-A-0450

1



The synchronized Pivot Bolt Technology, with hooked bolt contact into the keep and the rigid, non-sprung bolt which is locked in the final position (in accordance with DIN 18251-3) warrants highest security. At the same time, the system allows precise adjustment of the bolt and hook enclosure into the keeps which results in exceptional ease of operation. Non-handed.

Finish: **SilverLine, stainless steel**
 Faceplate: U 24 x 6,0 mm
 Hole centres: 92 mm
 Spindle-housing: 8 mm
 Rear backset: 18 mm
 Total length: 2.100 mm
 ■ Boxed qty.: 1 and 4 pieces

Pivot bolt lock, 24 mm U-plate

SRH 1.960 – 2.100 mm

20.405.03	35 mm backset, SilverLine
20.405.04	40 mm backset, SilverLine
20.405.05	45 mm backset, SilverLine
20.405.06	55 mm backset, SilverLine
20.405.73	35 mm backset, stainless steel, even latch
20.405.75	45 mm backset, stainless steel
20.405.051	45 mm backset, SilverLine, even latch

Pivot bolt lock, top lock case 150 mm lower, SilverLine

prepared for extra locking device

SRH 1.810 – 2.100 mm

20.405.13	35 mm backset
20.405.14	40 mm backset
20.405.15	45 mm backset
20.405.16	55 mm backset
20.405.151	45 mm backset, SilverLine, even latch

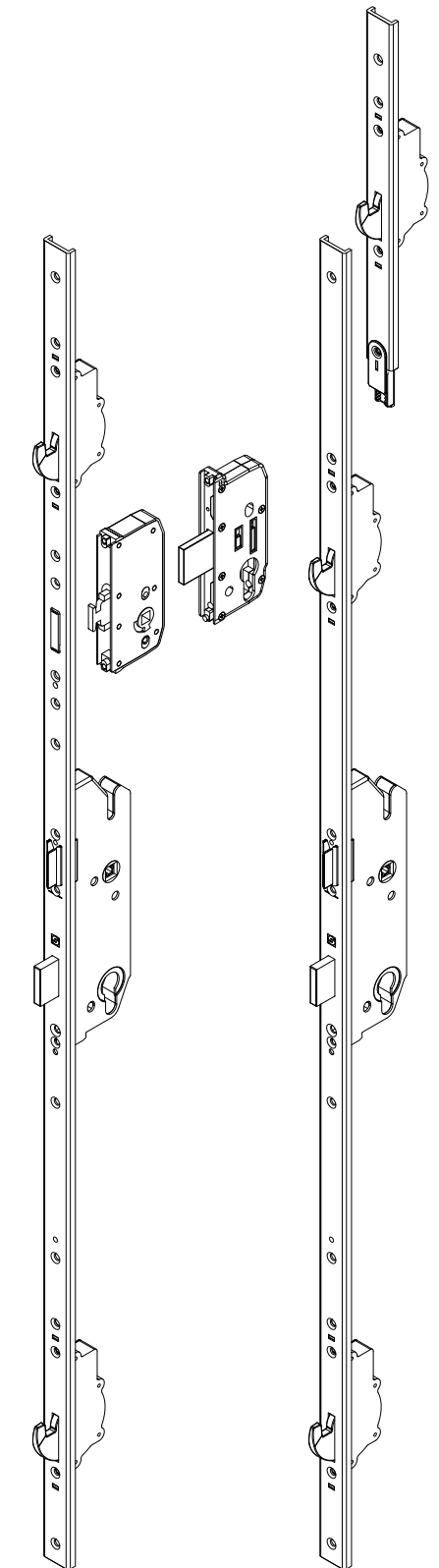
20.400.15 extra locking device 400 mm

SRH 2.100 – 2.500 mm

- Accessories (see page 2-A-0825)
 - safety catch
 - additional lock
 - roller latch

Spindle bearing

16.000.00



2A

2B

2C

2D

2E

2F

3

* on request.

Strikers see from page 2-B-0100.
 Jigs and templates see page 2-A-0840.
 Lever sets see from page 2-C-0090.



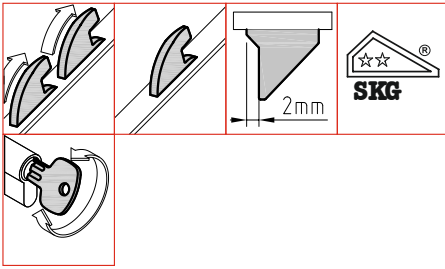
Residential Door Lock ZV

with 4 Pivot Bolts

Window-Technology

2-A-0452

1



The synchronized Pivot Bolt Technology, with hooked bolt contact into the keep and the rigid, non-sprung bolt which is locked in the final position (in accordance with DIN 18251-3) warrants highest security. At the same time, the system allows precise adjustment of the bolt and hook enclosure into the keeps which results in exceptional ease of operation. Non-handed.

Faceplate/Finish:
 F 16 x 2,7 mm **SilverLine**
 F 20 x 2,7 mm **stainless steel**
 U 24 x 6,0 mm **stainless steel**
 Hole centres: 92 mm
 Spindle-housing: 8 mm
 Rear backset: 18 mm
 Total length: 2.100 mm
 ■ Boxed qty.: 1 and 5 pieces

Pivot bolt lock, 16 mm faceplate ZV 550, SilverLine, synchronized

SRH 1.960 – 2.100 mm

20.401.53	35 mm backset*
20.401.54	40 mm backset*
20.401.55	45 mm backset*

Pivot bolt lock, 20 mm faceplate ZV 560, counter movement, stainless steel

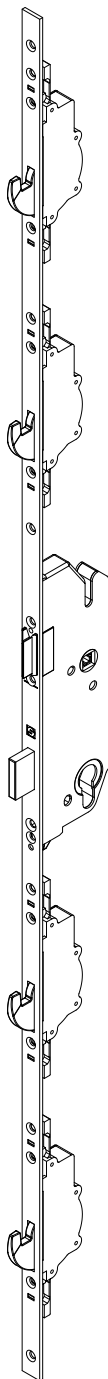
SRH 1.960 – 2.100 mm

19.402.85	45 mm backset (see page 2-A-0430)
-----------	--------------------------------------

Pivot bolt lock, 24 mm U-plate ZV 570, stainless steel, synchronized

SRH 1.960 – 2.100 mm

20.405.63	35 mm backset
20.405.65	45 mm backset



Spindle bearing

16.000.00



2A

2B

2C

2D

2E

2F

3

* on request.

Strikers see from page 2-B-0100.
 Jigs and templates see page 2-A-0840.
 Lever sets see from page 2-C-0090.

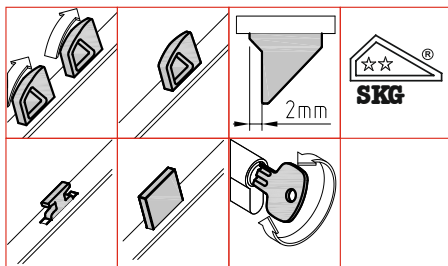
Residential Door Lock DV 450

Version P, latch-lever version

Window-Technology

2-A-0460

1



The synchronized Turn-Bolt-Technology with the rigid non-sprung bolt which is locked in the final position (this satisfies the requirements of DIN 18251-3) guarantees highest security. At the same time the system allows an adjustment of the bolt enclosure into the keeps. Non-handed.

Finish: **SilverLine**
 Faceplate: F 16 x 2,7 mm
 Hole centres: 92 mm
 Spindle-housing: 8 mm
 Rear backset: 18 mm
 Total length: 2.100 mm
 ■ Boxed qty.: 1 and 5 pieces

Turn bolt lock, 16 mm faceplate

SRH 1.960 – 2.100 mm

20.501.01	26 mm backset, without bolt*
20.501.02	30 mm backset, bolt travel 14 mm*
20.501.03	35 mm backset
20.501.04	40 mm backset
20.501.05	45 mm backset
20.501.06	55 mm backset
20.501.07	50 mm backset
20.501.45	45 mm backset, with 2 additional roller cams*
20.508.05	45 mm backset, Kaba

Turn bolt lock, top lock case 150 mm lower

prepared for extra locking device

SRH 1.810 – 2.100 mm

20.501.12	30 mm backset, bolt travel 14 mm*
20.501.13	35 mm backset
20.501.14	40 mm backset*
20.501.15	45 mm backset
20.501.16	55 mm backset *
20.501.17	50 mm backset
20.400.02	extra locking device 400 mm

SRH 2.100 – 2.500 mm

Faceplate end cap black

19.400.80

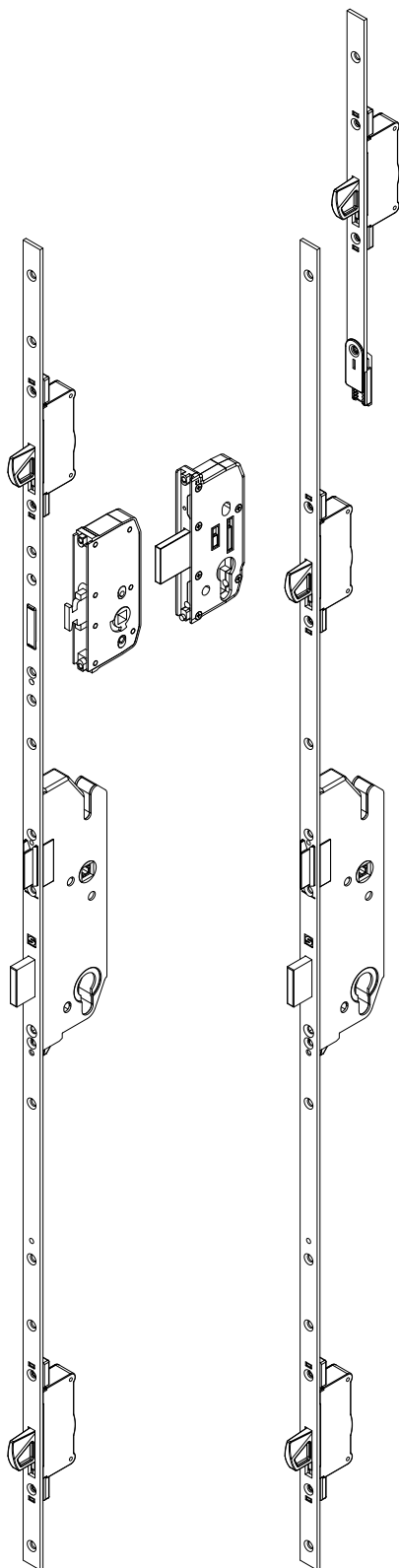
End plate

20.411.00 300 mm

- Accessories (see page 2-A-0825)
 - safety catch
 - additional lock
 - roller latch

Spindle bearing

16.000.00



2A

2B

2C

2D

2E

2F

3

* on request.

Strikers see from page 2-B-0100.
 Jigs and templates see page 2-A-0840.
 Lever sets see from page 2-C-0090.



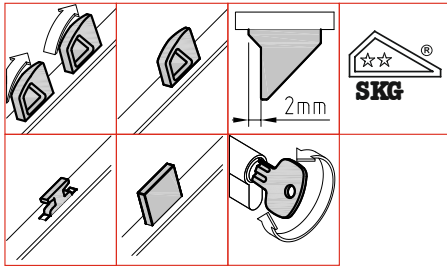
Residential Door Lock DV 460

Version P, latch-lever version

Window-Technology

2-A-0462

1



The synchronized Turn-Bolt-Technology with the rigid non-sprung bolt which is locked in the final position (this satisfies the requirements of DIN 18251-3) guarantees highest security. At the same time the system allows an adjustment of the bolt enclosure into the keeps. Non-handed.

Finish: **SilverLine**
 Faceplate: F 20 x 2,7 mm
 Hole centres: 92 mm
 Spindle-housing: 8 mm
 Rear backset: 18 mm
 Total length: 2.100 mm
 ■ Boxed qty.: 1 and 5 pieces

Turn bolt lock, 20 mm faceplate

SRH 1.960 – 2.100 mm

20.502.02	30 mm backset
20.502.03	35 mm backset*
20.502.05	45 mm backset
20.502.06	55 mm backset*

Turn bolt lock, top lock case 150 mm lower

prepared for extra locking device

SRH 1.810 – 2.100 mm

20.502.15	45 mm backset*
20.502.16	55 mm backset*

20.400.12 extra locking device 400 mm*

SRH 2.100 – 2.500 mm

Faceplate end cap black

19.400.90

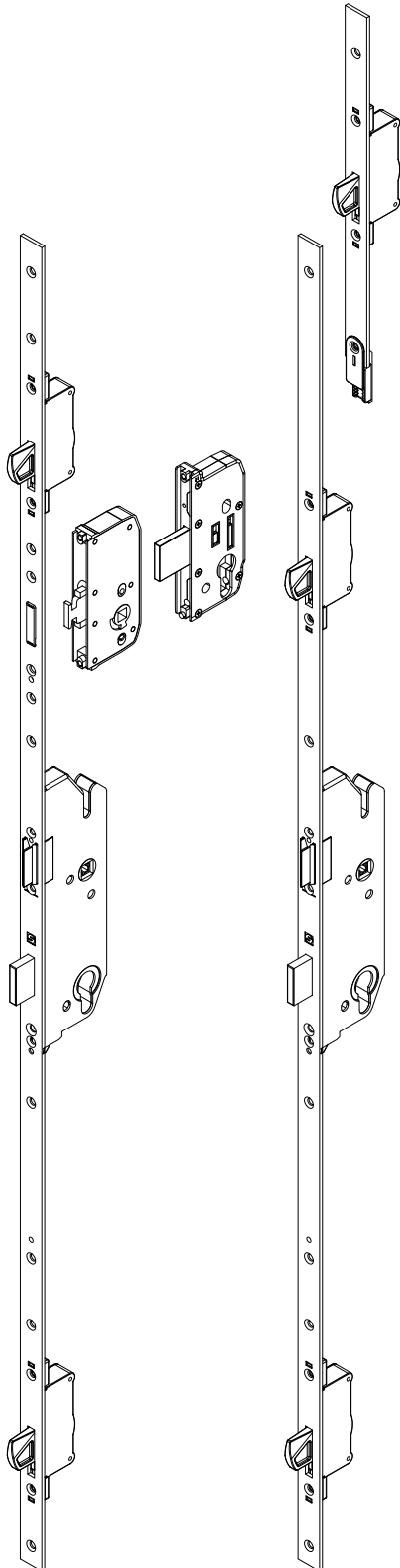
End plate

20.412.00 300 mm

- Accessories (see page 2-A-0825)
 - safety catch
 - additional lock
 - roller latch

Spindle bearing

16.000.00



2A

2B

2C

2D

2E

2F

3

* on request.

Strikers see from page 2-B-0100.
 Jigs and templates see page 2-A-0840.
 Lever sets see from page 2-C-0090.



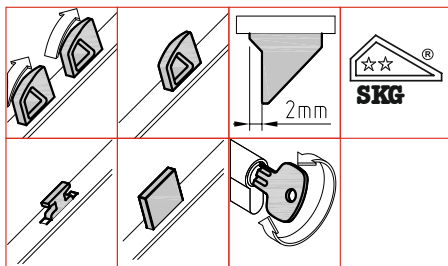
Residential Door Lock DV 470

Version P, latch-lever version

Window-Technology

2-A-0464

1



The synchronized Turn-Bolt-Technology with the rigid non-sprung bolt which is locked in the final position (this satisfies the requirements of DIN 18251-3) guarantees highest security. At the same time the system allows an adjustment of the bolt enclosure into the keeps. Non-handed.

Finish: **SilverLine**
 Faceplate: U 24 x 6,0 mm
 Hole centres: 92 mm
 Spindle-housing: 8 mm
 Rear backset: 18 mm
 Total length: 2.100 mm
 ■ Boxed qty.: 1 and 4 pieces

Turn bolt lock, 24 mm U-plate

SRH 1.960 – 2.100 mm

20.505.03 35 mm backset*
 20.505.04 40 mm backset*
 20.505.05 45 mm backset

Turn bolt lock, top lock case 150 mm lower

SRH 1.810 – 2.100 mm

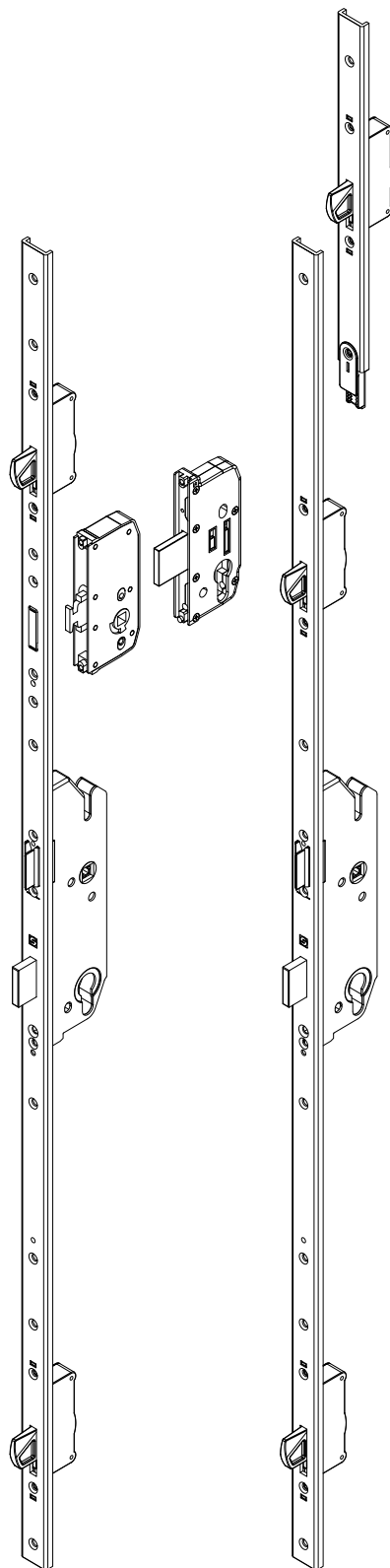
20.505.13 35 mm backset*
 20.505.14 40 mm backset*
 20.505.15 45 mm backset

End plate

20.415.00 300 mm*

■ Accessories (see page 2-A-0825)

- safety catch
- additional lock
- roller latch



Spindle bearing

16.000.00



2A

2B

2C

2D

2E

2F

3

* on request.

Strikers see from page 2-B-0100.
 Jigs and templates see page 2-A-0840.
 Lever sets see from page 2-C-0090.

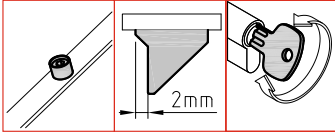
Residential Door Lock RV 150

Version P, latch-lever version

Window-Technology

2-A-0470

1



Door lock with 4 additional synchronized roller cams, which help to stabilise the door when in a closed position.

Rear toothed push bolt rods for central lock.

Finish: **SilverLine**
Faceplate: F 16 x 2,7 mm
Hole centres: 92 mm
Spindle-housing: 8 mm
Rear backset: 18 mm
Total length: 2.100 mm
■ Boxed qty.: 1 and 5 pieces

Residential door lock with roller cams, 16 mm faceplate

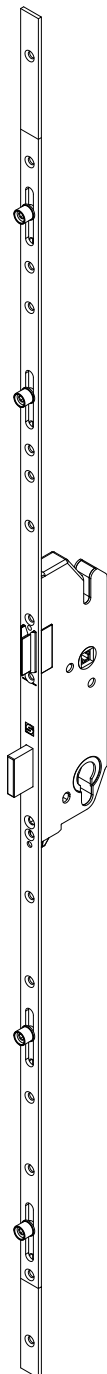
20.421.11	26 mm backset, without bolt
20.421.12	30 mm backset, bolt travel 14 mm
20.421.13	35 mm backset
20.421.14	40 mm backset
20.421.15	45 mm backset
20.421.16	55 mm backset

Faceplate end cap black

19.400.80

End plate

20.411.00 300 mm*



Spindle bearing

16.000.00



2A

2B

2C

2D

2E

2F

3

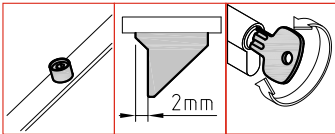
Residential Door Lock RV 160

Version P, latch-lever version

Window-Technology

2-A-0472

1



Door lock with 4 additional synchronized roller cams, which help to stabilise the door when in a closed position.

Rear toothed push bolt rods for central lock.

Finish: **SilverLine**
Faceplate: F 20 x 2,7 mm
Hole centres: 92 mm
Spindle-housing: 8 mm
Rear backset: 18 mm
Total length: 2.100 mm
■ Boxed qty.: 1 and 5 pieces

Residential door lock with roller cams, 20 mm faceplate

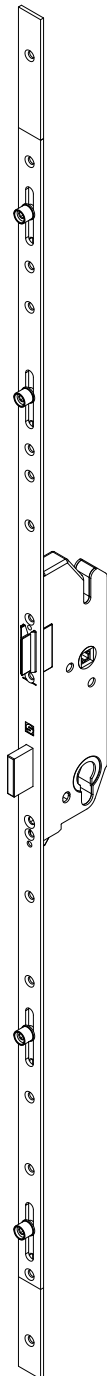
20.422.14 40 mm backset*
20.422.15 45 mm backset

Faceplate end cap black

19.400.80

End plate

20.412.00 300 mm*



Spindle bearing

16.000.00



2A

2B

2C

2D

2E

2F

3

* on request.

Strikers see from page 2-B-0100.
Jigs and templates see page 2-A-0840.
Lever sets see from page 2-C-0090.

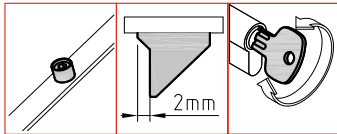
Residential Door Lock RV 170

Version P, latch-lever version

Window-Technology

2-A-0474

1



Door lock with 4 additional synchronized roller cams, which help to stabilise the door when in a closed position.

Rear toothed push bolt rods for central lock.

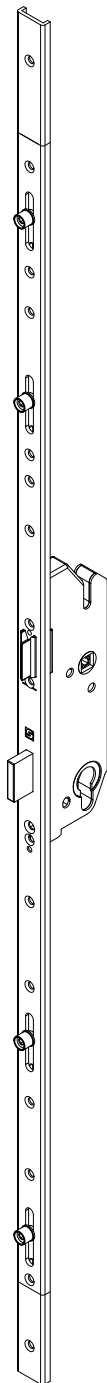
Finish: **SilverLine**
 Faceplate: U 24 x 6,0 mm
 Hole centres: 92 mm
 Spindle-housing: 8 mm
 Rear backset: 18 mm
 Total length: 2.100 mm
 ■ Boxed qty.: 1 and 4 pieces

Residential door lock with roller cams, 24 mm U-plate

20.425.13	35 mm backset*
20.425.14	40 mm backset
20.425.15	45 mm backset
20.425.16	55 mm backset*

End plate

20.415.00	300 mm*
-----------	---------



Spindle bearing

16.000.00



2A

2B

2C

2D

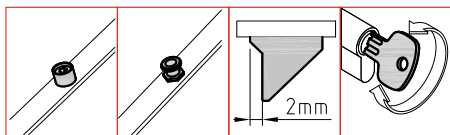
2E

2F

3

* on request.

Strikers see from page 2-B-0100.
 Jigs and templates see page 2-A-0840.
 Lever sets see from page 2-C-0090.



Door lock with 4 additional cams:
2 synchronized roller cam bolts and
2 mushroom headed cam bolts,
which help to stabilise the door when
in a closed position.

Faceplate/Finish: F 16 x 2,7 mm **SilverLine**
..... F 20 x 2,7 mm **SilverLine**
Hole centres: 92 mm
Spindle-housing: 8 mm
Rear backset: 18 mm
Total length: 2.100 mm
■ Boxed qty.: 1 and 5 pieces

**Residential door lock PV, 16 mm faceplate with latch and bolt
2 roller cam bolts and 2 mushroom headed cam bolts**

20.421.22	30 mm backset
20.421.23	35 mm backset
20.421.24	40 mm backset
20.421.25	45 mm backset

**Residential door lock PV, 16 mm faceplate with latch without bolt
2 roller cam bolts and 2 mushroom headed cam bolts**

20.421.21	26 mm backset
20.421.42	30 mm backset
20.421.43	35 mm backset
20.421.45	45 mm backset*

**Residential door lock PV, 16 mm faceplate with latch without bolt
4 mushroom headed cam bolts**

20.421.52	30 mm backset*
20.421.57	65 mm backset, 10 units spindles*

**Residential door lock PV, 20 mm faceplate with latch and bolt
2 roller cam bolts and 2 mushroom headed cam bolts**

20.422.25	45 mm backset
-----------	---------------

Faceplate end cap black

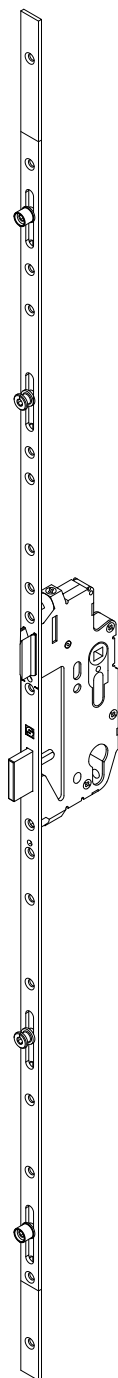
19.400.80

End plate

20.411.00	300 mm
-----------	--------

Spindle bearing

16.000.00



2A

2B

2C

2D

2E

2F

3

* on request.

Strikers see from page 2-B-0100.
Jigs and templates see page 2-A-0840.
Lever sets see from page 2-C-0090.



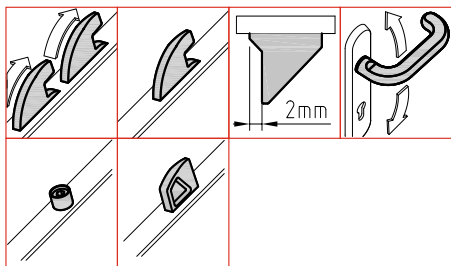
Residential Door Lock ZVL

Version G Lift-Lever

Window-Technology

2-A-0520

1



The Pivot Bolt Technology in combination with 2 additional roller cams warrants highest security.

The pivot bolt technology allows precise adjustment of the bolt and hook enclosure. The 2 additional roller cams are adjustable via eccentric pivot (1 mm) and stabilise the door casement when in the closed position.

Finish: **SilverLine**
 Faceplate: F 16 x 2,7 mm
 Hole centres: 92 mm
 Spindle-housing: 8 mm
 Rear backset: 18 mm
 Total length: 2.100 mm
 ■ Boxed qty.: 1 and 5 pieces

ZVL Residential door lock, 2 pivot bolts, 2 roller cam bolts SRH 1.960 – 2.100 mm

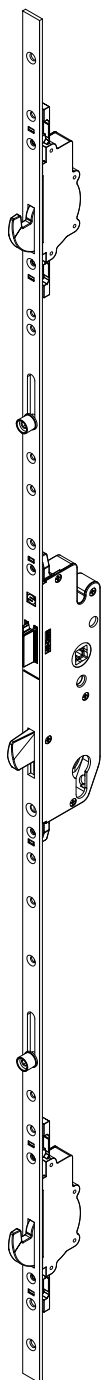
21.511.13	35 mm backset
21.511.14	40 mm backset*
21.511.15	45 mm backset*

Accessories:

Lock case ■ Boxed qty.: 1 and 5 pieces

21.495.03	35 mm backset
21.495.04	40 mm backset
21.495.05	45 mm backset

■ ZVL with mushroom headed cam bolts on request.



Spindle bearing

16.000.00



2A

2B

2C

2D

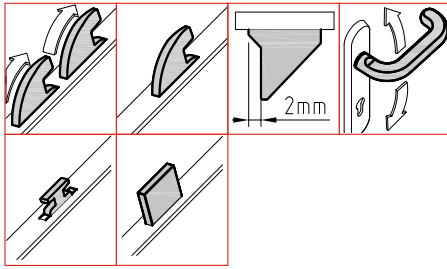
2E

2F

3

* on request.

Strikers see from page 2-B-0100.
 Jigs and templates see page 2-A-0840.
 Lever sets see from page 2-C-0090.



The Pivot Bolt Technology with hook bolt contact into the keep and the rigid, non-sprung bolt which is locked in the final position (in compliance with the requirements of DIN 18251-3) warrants highest security. At the same time, the system allows precise adjustment of the bolt and hook enclosure into the keeps which results in exceptional ease of operation. Non-handed.

Finish: **Silverline**
 Faceplate: F 16 x 2,7 mm
 Hole centres: 92 mm
 Spindle-housing: 8 mm
 Rear backset: 18 mm
 Total length: 2.100 mm
 ■ Boxed qty.: 1 and 5 pieces

Pivot bolt lock, 16 mm faceplate

SRH 1.960 – 2.100 mm

20.561.01	26 mm backset*
20.561.02	30 mm backset*
20.561.03	35 mm backset*
20.561.04	40 mm backset*
20.561.05	45 mm backset*
20.561.031	35 mm backset, 14 mm bolt

Pivot bolt lock top lock case 150 mm lower

prepared for extra locking device

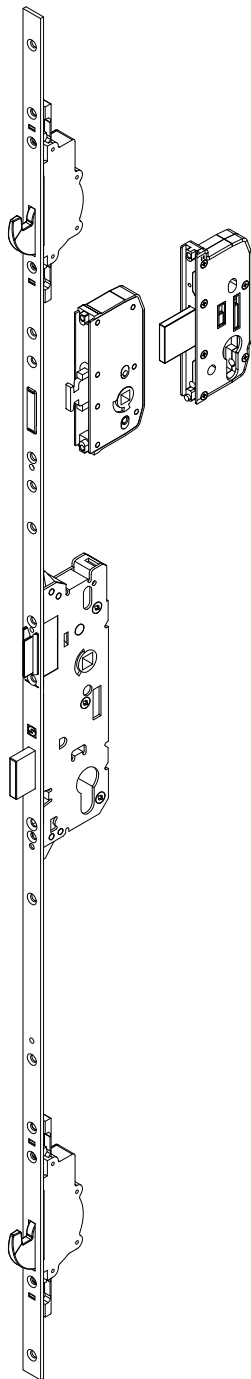
SRH 1.960 – 2.100 mm

20.561.15	45 mm backset
20.561.131	35 mm backset, 14 mm bolt*

20.400.01	extra locking device 400 mm
-----------	-----------------------------

SRH 2.100 – 2.500 mm

- Accessories (see page 2-A-0825)
 - safety catch
 - additional lock
 - roller latch



Spindle bearing

16.000.00



2A

2B

2C

2D

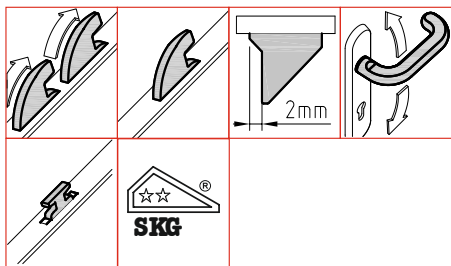
2E

2F

3

* on request.

Safety catch and additional lock see page 2-A-0825.



The Pivot Bolt Technology with hook bolt contact into the keep and the rigid, non-sprung bolt which is locked in the final position (in compliance with the requirements of DIN 18251-3) warrants highest security.

At the same time, the system allows precise adjustment of the bolt and hook enclosure into the keeps which results in exceptional ease of operation. Non-handed

Finish: **SilverLine**
 **stainless steel**
 Faceplate: U 24 x 6,0 mm
 Hole centres: 92 mm
 Spindle-housing: 8 mm
 Rear backset: 18 mm
 Total length: 2.100 mm
 ■ Boxed qty.: 1 und 4 pieces

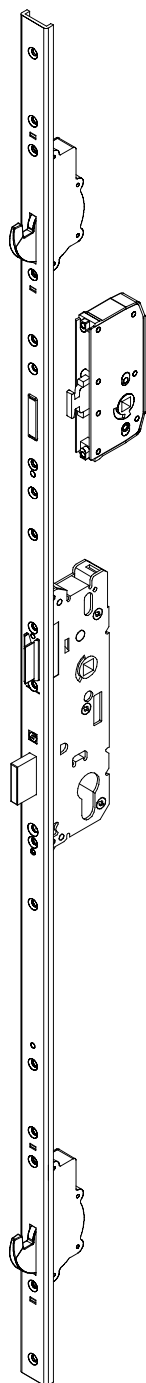
Pivot bolt lock, 24 mm U-plate **SRH 1.960 – 2.100 mm**

20.565.05	45 mm backset, SilverLine*
20.565.73	35 mm backset, stainless steel
20.565.75	45 mm backset, stainless steel

Pivot bolt lock top lock case 150 mm lower **SRH 1.810 – 2.100 mm**

20.565.15	45 mm backset, SilverLine	
20.400.15	extra locking device 490 mm	SRH 2.100 – 2.500 mm

- Accessories (see page 2-A-0825)
 - safety catch
 - additional lock
 - roller latch



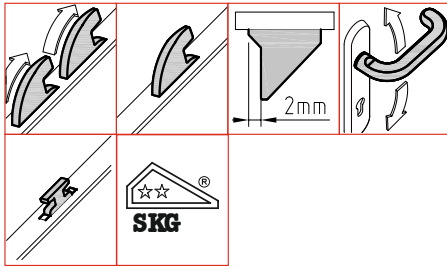
Spindle bearing

16.000.00



* on request.

Safety catch and additional lock see page 2-A-0825.



The Pivot Bolt Technology with hook bolt contact into the keep and the rigid, non-sprung bolt which is locked in the final position (in compliance with the requirements of DIN 18251-3) warrants highest security. At the same time, the system allows precise adjustment of the bolt and hook enclosure into the keeps which results in exceptional ease of operation. Non-handed

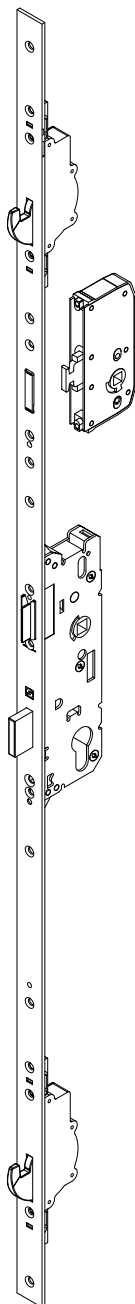
Finish: **stainless steel**
 Faceplate: F 24 x 2,7 mm
 Hole centres: 92 mm
 Spindle-housing: 8 mm
 Rear backset: 18 mm
 Total length: 2.100 mm
 ■ Boxed qty.: 1 und 4 pieces

Pivot bolt lock, 24 mm F-plate

SRH 1.960 – 2.100 mm

- 20.567.73 30 mm backset, stainless steel
- 20.567.74 40 mm backset, stainless steel

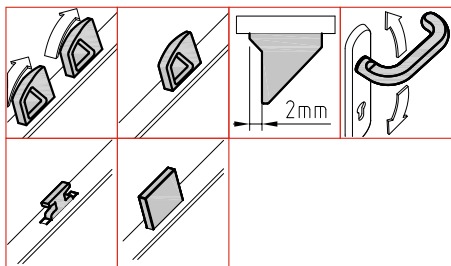
- Accessories (see page 2-A-0825)
 - safety catch
 - additional lock
 - roller latch



Spindle bearing

16.000.00





The turn Bolt Technology with the rigid bolt, locked in the final position (in compliance with the requirements of DIN 18251-3) warrants an increased level of security. At the same time, the system allows an adjustment of the bolt-enclosure into the keeps. Non-handed.

Finish: **SilverLine**
 Faceplate: F 16 x 2,7 mm
 Hole centres: 92 mm
 Spindle-housing: 8 mm
 Rear backset: 18 mm
 Total length: 2.100 mm
 ■ Boxed qty.: 1 and 5 pieces

Turn bolt lock, 16 mm faceplate

SRH 1.960 – 2.100 mm

20.551.01	26 mm backset
20.551.02	30 mm backset*
20.551.03	35 mm backset
20.551.04	40 mm backset
20.551.05	45 mm backset
20.551.06	55 mm backset*
20.558.05	45 mm backset, Kaba

Turn bolt lock, top lock case 150 mm lower

SRH 1.810 – 2.100 mm

20.551.11	26 mm backset
20.551.12	30 mm backset
20.551.13	35 mm backset
20.551.14	40 mm backset
20.551.15	45 mm backset

Faceplate end cap black

19.400.80

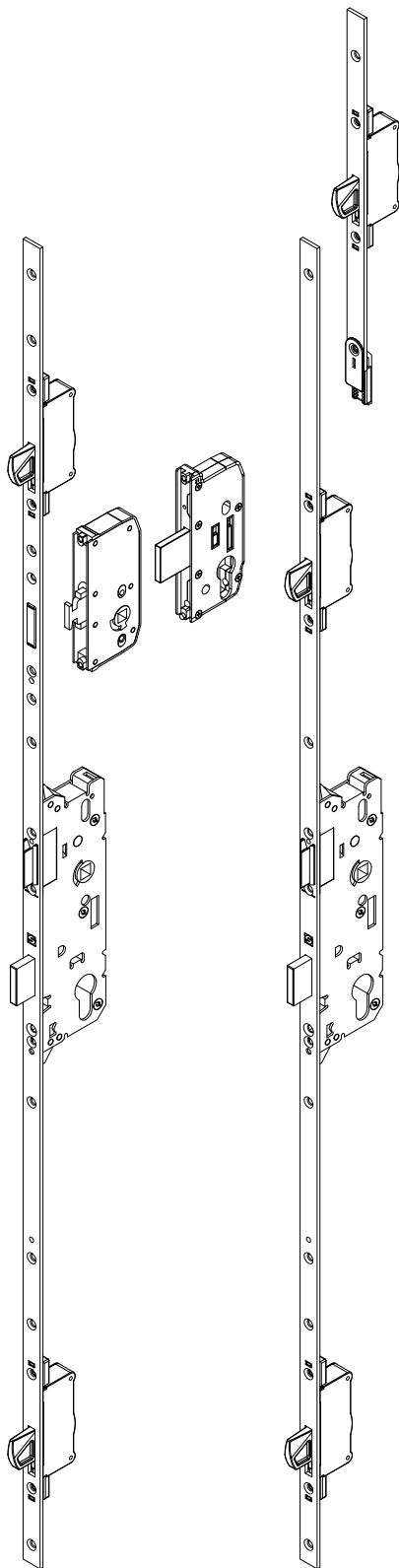
End plate

20.411.00 300 mm

- Accessories (see page 2-A-0825)
 - safety catch
 - additional lock
 - roller latch.

Spindle bearing

16.000.00



2A

2B

2C

2D

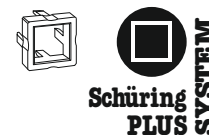
2E

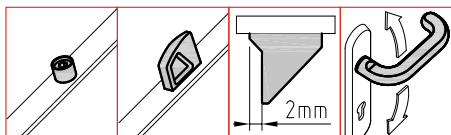
2F

3

* on request.

Safety catch and additional lock see page 2-A-0825.





Door lock with 4 additional roller cams which help to stabilise the door when in a closed position. This is not a high security lock.

Finish: **SilverLine**
 Faceplate: F 16 x 2,7 mm
 Hole centres: 92 mm
 Spindle-housing: 8 mm
 Rear backset: 18 mm
 Total length: 2.100 mm
 ■ Boxed qty: 1 and 5 pieces

RVL Residential door lock, 4 roller cam bolts

21.501.01	25 mm backset
21.501.03	35 mm backset
21.501.04	40 mm backset
21.501.05	45 mm backset
21.501.31	25 mm backset, toothed rack
21.501.33	35 mm backset, toothed rack
21.501.34	40 mm backset, toothed rack
21.501.35	45 mm backset, toothed rack

RVL Residential door lock, 4 roller cam bolts, without bolt

21.501.43	35 mm backset
-----------	---------------

PVL Residential door lock, 4 mushroom headed cam bolts

21.501.21	25 mm backset
21.501.23	35 mm backset
21.501.24	40 mm backset
21.501.25	45 mm backset

Accessories:

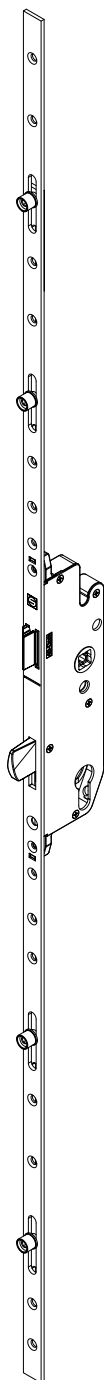
Lock case RVL

■ Boxed qty: 1 and 5 pieces

21.495.03	35 mm backset
21.495.04	40 mm backset
21.495.05	45 mm backset

Spindle bearing

16.000.00



2A

2B

2C

2D

2E

2F

3



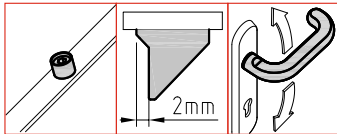
Residential Door Lock RV 100

Version G Lift-Lever

Window-Technology

2-A-0565

1



Door lock with 4 additional roller-cam bolts, which stabilise the door when in a closed position. This is not a high security lock. The top roller cam is positioned 100 mm lower. There is a rear toothed push-bolt rod for the central lock.

Finish: **SilverLine**
 Faceplate: F 16 x 2,7 mm
 Hole centres: 92 mm
 Spindle-housing: 8 mm
 Total length: 2.100 mm
 Rear backset: 18 mm
 ■ Boxed qty.: 1 and 5 pieces

Residential door lock with roller cams, 16 mm faceplate

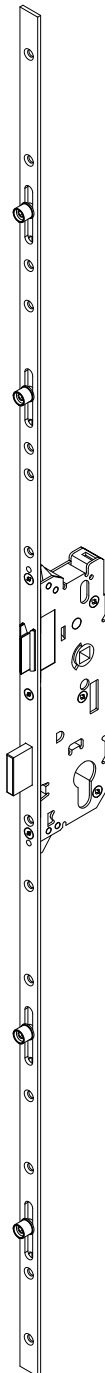
20.471.11	26 mm backset
20.471.12	30 mm backset
20.471.13	35 mm backset*
20.471.14	40 mm backset*
20.471.15	45 mm backset*
20.471.16	55 mm backset*

Faceplate end cap black

19.400.80

End plate

20.411.00 300 mm*



Spindle bearing

16.000.00



2A

2B

2C

2D

2E

2F

3

* on request.

Strikers see from page 2-B-0100.
 Jigs and templates see page 2-A-0840.
 Lever sets see from page 2-C-0090.

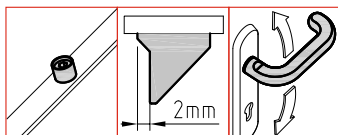
Residential Door Lock RV 110

Version G Lift-Lever

Window-Technology

2-A-0570

1



Door lock with 4 additional roller-cam bolts, which stabilise the door when in a closed position. This is not a high security lock. The top roller cam is positioned 100 mm lower. There is a rear toothed push-bolt rod for the central lock.

Finish: **SilverLine**
Faceplate: F 20 x 2,7 mm
Hole centres: 92 mm
Spindle-housing: 8 mm
Rear backset: 18 mm
Total length: 2.100 mm
■ Boxed qty.: 1 and 5 pieces

Residential door lock with roller cams, 20 mm faceplate

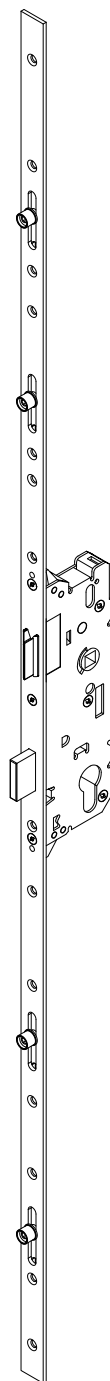
20.472.12 30 mm backset*
20.472.14 40 mm backset*
20.472.15 45 mm backset

Faceplate end cap black

19.400.90

End plate

20.415.00 300 mm*



Spindle bearing

16.000.00



2A

2B

2C

2D

2E

2F

3

* on request.

Strikers see from page 2-B-0100.
Jigs and templates see page 2-A-0840.
Lever sets see from page 2-C-0090.

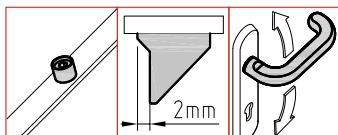
Residential Door Lock RV 120

Version G-lever

Window-Technology

2-A-0575

1



Door lock with 4 additional roller-cam bolts, which stabilise the door when in a closed position. This is not a high security lock. The top roller cam is positioned 100 mm lower. There is a rear toothed push-bolt rod for the central lock.

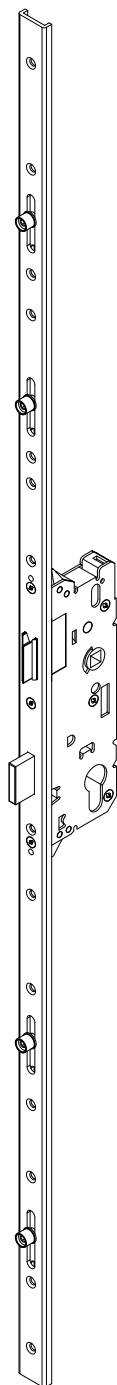
Finish: **SilverLine**
 Faceplate: U 24 x 6,0 mm
 Hole centres: 92 mm
 Spindle-housing: 8 mm
 Rear backset: 18 mm
 Total length: 2.100 mm
 ■ Boxed qty.: 1 and 4 pieces

Residential door lock with roller cams, 24 mm U-plate

20.475.13	30 mm backset*
20.475.14	40 mm backset*
20.475.15	45 mm backset*

End plate

20.415.00	300 mm*
-----------	---------



Spindle bearing

16.000.00

2A

2B

2C

2D

2E

2F

3

* on request.

Strikers see from page 2-B-0100.
 Jigs and templates see page 2-A-0840.
 Lever sets see from page 2-C-0090.



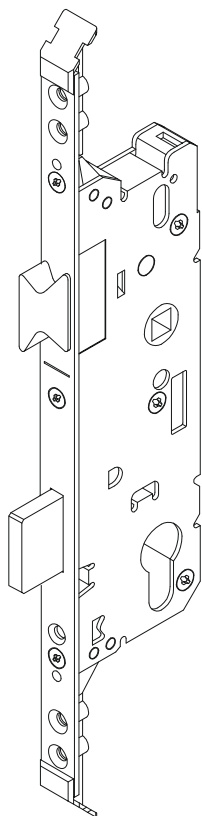
Special Mortice Lock

16 mm faceplate, latch-lever version

Window-Technology

2-A-0620

1



Special mortice lock with 2 end caps for a professional finish. Deadbolt-1-turn extending 20 mm. Rear backset 18,2 mm.

Finish: **SilverLine**
Faceplate: F 16 x 2,7 mm
Hole centres: 92 mm
Spindle-housing: 8 mm
Total length: 322 mm
■ Boxed qty.: 1 piece

Mortice lock with stepped latch

20.030.01	25 mm backset
20.030.02	30 mm backset
20.030.03	35 mm backset
20.030.04	40 mm backset
20.030.05	45 mm backset
20.030.06	55 mm backset

20.000.01	Faceplate end cap white
20.000.03	Faceplate end cap brown

2A

2B

2C

2D

2E

2F

3

reg. design
pat. pend.



**Schüring
PLUS
SYSTEM**

Spindle bearing

16.000.00

Strikers see from page 2-B-0100.
Jigs and templates see page 2-A-0840.
Lever sets see from page 2-C-0090.

Schüring®

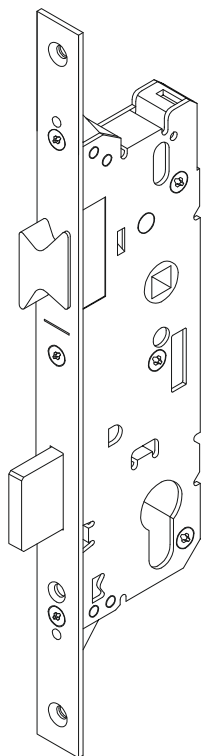
Special Mortice Lock

20 mm faceplate, latch-lever version

Window-Technology

2-A-0625

1



Special mortice lock with 2 end caps for a professional finish. Deadbolt-1-turn extending 20 mm. Rear backset 18,2 mm.

Finish: **SilverLine**
Faceplate: F 20 x 2,7 mm
Hole centres: 92 mm
Spindle-housing: 8 mm
Total length: 292 mm
■ Boxed qty.: 1 piece

Mortice lock with stepped latch

20.031.03	35 mm backset
20.031.04	40 mm backset*
20.031.05	45 mm backset
20.031.06	55 mm backset*

2A

2B

2C

2D

2E

2F

3

reg. design
pat. pend.



**Schüring
PLUS
SYSTEM**

Spindle bearing

16.000.00

* on request.

Strikers see from page 2-B-0100.
Jigs and templates see page 2-A-0840.
Lever sets see from page 2-C-0090.

Schüring®

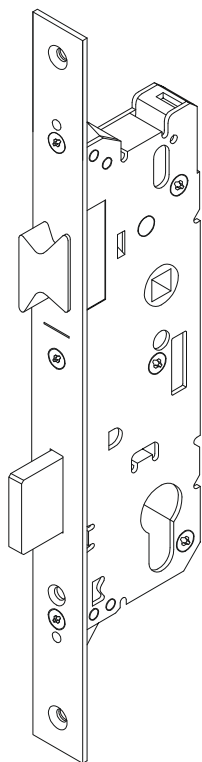
Special Mortice Lock

24 mm faceplate

Window-Technology

2-A-0630

1



Special mortice lock with 2 end caps for a professional finish. Deadbolt-1-turn extending 20 mm. Rear backset 18,2 mm.

Finish: **SilverLine**
Faceplate: F 24 x 2,7 mm
Hole centres: 92 mm
Spindle-housing: 8 mm
Total length: 292 mm
■ Boxed qty.: 1 piece

Mortice lock with stepped latch

20.005.01	25 mm backset
20.032.03	35 mm backset
20.032.05	45 mm backset
20.005.06	55 mm backset

Finish: **stainless steel**
Faceplate: F 24 x 2,7 mm
Hole centres: 92 mm
Spindle-housing: 8 mm
Total length: 292 mm
■ Boxed qty.: 1 piece

Mortice lock

20.005.12	30 mm backset, stepped latch
20.032.131	35 mm backset, non-stepped latch
20.032.14	40 mm backset, non-stepped latch
20.032.06	55 mm backset, stepped latch

Spindle bearing

16.000.00

reg. design
pat. pend. 



* on request.

Strikers see from page 2-B-0100.
Jigs and templates see page 2-A-0840.
Lever sets see from page 2-C-0090.



2A

2B

2C

2D

2E

2F

3

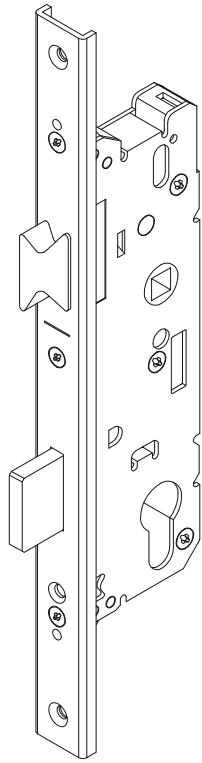
Special Mortice Lock

24 mm U-plate, latch-lever version

Window-Technology

2-A-0635

1



Special mortice lock with 2 end caps for a professional finish. Deadbolt-1-turn extending 20 mm. Rear backset 18,2 mm.

Finish: **stainless steel**
Faceplate: U 24 x 6,0 mm
Hole centres: 92 mm
Spindle-housing: 8 mm
Total length: 292 mm
■ Boxed qty.: 1 piece

Mortice lock with stepped latch

20.033.13	35 mm backset
20.033.14	40 mm backset
20.033.15	45 mm backset
20.033.16	55 mm backset

Mortice lock, non-stepped latch

20.033.121	30 mm backset
20.033.131	35 mm backset
20.033.141	40 mm backset*
20.033.161	55 mm backset

2A

2B

2C

2D

2E

2F

3

reg. design
pat. pend.



**Schüring
PLUS
SYSTEM**

Spindle bearing

16.000.00

* on request.

Strikers see from page 2-B-0100.
Jigs and templates see page 2-A-0840.
Lever sets see from page 2-C-0090.

 **schüring**[®]

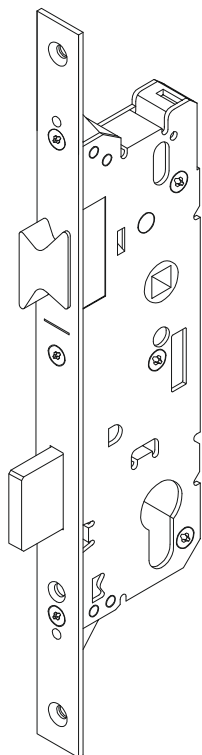
Special Mortice Lock Wicona Serie 65*

24 mm faceplate

Window-Technology

2-A-0640

1



Special mortice lock with an extended plate, deadbolt-1-turn extending 20 mm. Rear backset 18,2 mm.

Finish: **SilverLine**
Faceplate: F 24 x 2,7 mm
Hole centres: 92 mm
Spindle-housing: 8 mm
Total length: 285 mm
■ Boxed qty.: 1 piece

Mortice lock with stepped latch

20.032.03 mortice Lock 35/24/8, SilverLine
19.081.06 centre keeps, right, stainless steel*
19.081.07 centre keeps, left, stainless steel*

2A

2B

2C

2D

2E

2F

3

reg. design
pat. pend.



**Schüring
PLUS
SYSTEM**

Spindle bearing

16.000.00

* on request.

Strikers see page 2-B-0200.



VHT-bolt

Fits into the eurogroove.

Finish: SilverLine
 Faceplate width: 16 mm
 Housing width: 12 mm
 Bolt travel: 20 mm
 Total length: 150 mm
 ■ Boxed qty.: 1 piece

05.001.015 SilverLine

Adjustable keep

profile dependent.

■ Boxed qty.: 1 piece

- 05.050.105 neutral 13/17
- 05.050.205 neutral 13/10
- 05.051.105 neutral 8,5/17
- 05.051.205 neutral 8,5/10
- 05.466.025 KöAV 13/17
- 05.466.035 KöVS 13/17
- 05.466.055 Veka Softline 13/17, HT
- 05.466.065 Salamander 13/17, uni. einw.
- 05.466.075 Thyssen 13/17, AD
- 05.466.095 Rehau S 730/735 13/17
- 05.466.105 KBE 8,5/17, 60 mm
- 05.466.115 Helmitin 13/17 (Aluplast) KSL
- 05.466.125 Aluplast 13/17, 2000
- 05.466.135 Gealan 3000, 7000, 8000, Kömmerling Gold, 13/17
- 05.466.145 Deceuninck 13/17, 2000
- 05.466.155 Veka 16 8,5/17, NT
- 05.469.025 KöAV 8,5/17
- 05.469.035 KöVS 8,5/17
- 05.469.095 Rehau S 730 8,5/17
- 05.466.165 Trocal Confort 13/17
- 05.466.185 Schüco Corona 13/17, 60 mm
- 05.466.195 Salamander 2D/3D
- 05.466.175 Schüco CT70, Veka Softline NT, 13/17
- 05.466.205 KBE AD 13/17, Deceuninck Zendow
- 05.466.215 Brüggemann AD 13

VHT Gaskets

■ Boxed qty.: 1 piece

- 05.048.01 13,0 mm for sill
- 05.048.10 8,5 mm for sill
- 05.048.20 8,5 mm and 13,0 mm for thermal two part sill
- 05.049.01 13,0 mm for floor
- 05.049.10 8,5 mm for floor

2A

2B

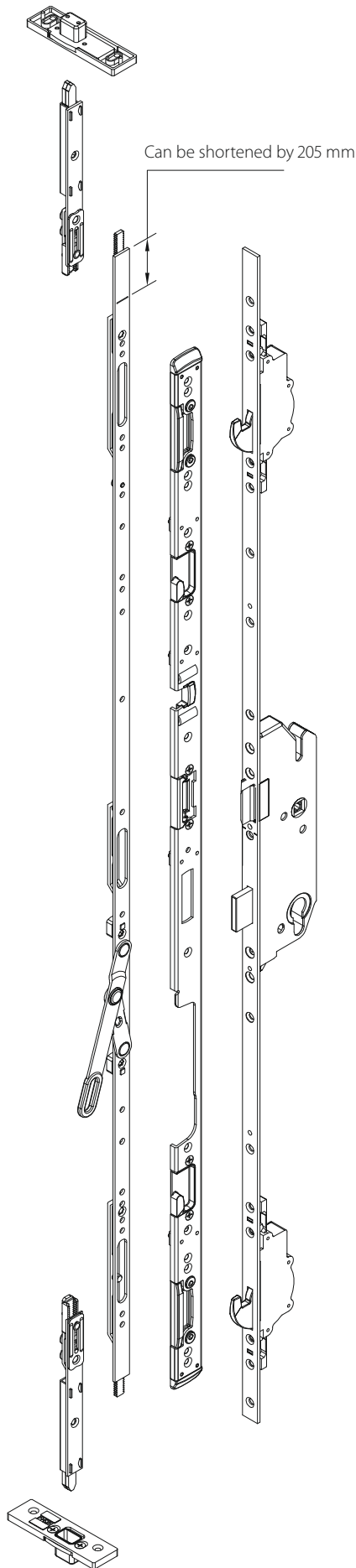
2C

2D

2E

2F

3



For a diversity of door heights in connection with a pivot bolt lock (synchronized bolt movement technique).

■ **Active leaf**

- Use with pivot bolt locks (see page 2-A-0440).

■ **Passive leaf**

- One-piece lock plate with „easy to use“ locking
- Top and bottom rod-lock travel with profile-related and/or sill-related adjustable keeps
- Fast and easy assembly of the lock plates
- The concealed fitting groove improves the visual appearance of the door
- The lock plate provides additional reinforcement to the profile which increases the stability of the door

Locking plates for synchronized door locks.

Finish: **Silverline**
 Faceplate: F 16 x 2,7 mm
 ■ Boxed qty.: 1 piece

04.641.05	SRH 1980–2190 mm, 13 mm axial dimension, left, two-part
04.641.06	SRH 1980–2190 mm, 13 mm axial dimension, right, two-part
04.641.07	SRH 1980–2190 mm, Veka HT, left, two-part
04.641.08	SRH 1980–2190 mm, Veka HT, right, two-part

Locking mechanism

Finish: **Silverline**
 Faceplate: F 16 x 2,7 mm
 ■ Boxed qty.: 1 piece

04.011.09	locking mechanism 150 mm, rod-travel 18 mm
04.043.01	locking mechanism with keep, 150 x 100 mm, rod-travel 18 mm
04.043.02	locking mechanism with keep, 92 x 100 mm, rod-travel 18 mm

Strikers for sill from see page 2-A-0721.



For double leaf door combinations we offer two locking possibilities for the slave leaf. Each version necessitates a particular method of assembly and particular accessories. For the main leaf locking: please refer to fittings and accessories for doors. Length of the fitting is 220 mm or 265 mm by version with profile cylinder.

Width: 30 mm
 Depth: 14 mm
 ■ Boxed qty.: 1 piece

Surface fitted with 60er profile depth

Bolt 38,5 mm

- 27.001.00 EV1
- 27.001.10 dark bronze
- 27.001.30 white

Surface fitted with 70er profile depth

Bolt 46,5 mm

- 27.001.40 EV1
- 27.001.41 dark bronze
- 27.001.42 white
- 27.010.00 EV1, prepared for profile half cylinder*
- 27.010.10 dark bronze, prepared for profile half cylinder*
- 27.010.30 white, prepared for profile half cylinder*

Square push bolt

Width: 22 mm
 Depth: 45 mm
 Total length: 285 mm
 ■ Boxed qty.: 1 piece

- 27.020.00 35 mm backset

Square push bolt

Width: 20 mm
 Depth: 30 mm
 Total length: 250 mm
 ■ Boxed qty.: 1 piece

- 27.021.00 20 mm backset

Square push bolt

Width: 20 mm
 Depth: 33 mm
 Total length: 270 mm
 ■ Boxed qty.: 1 piece

- 27.023.00 26 mm backset

Square push bolt

Width: 16 mm
 Depth: 28 mm
 Total length: 250 mm
 ■ Boxed qty.: 1 piece

- 27.019.00 20 mm backset
- 27.019.35 35 mm backset

2A

2B

2C

2D

2E

2F

3

* on request.

Half cylinders on request.

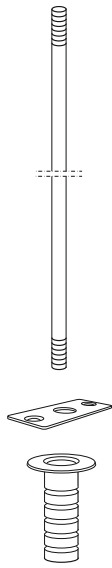
Push Bolt Rod and Accessories

for double leaf doors without mullion

Window-Technology

2-A-0735

1



Push bolt rod

for flush bolt (concealed) and anti-panic lock.
Is threaded at both ends. Can be separated
into two parts.

Diametre: 10 mm

■ Boxed qty: 1 piece

27.030.00 2.000 mm length

27.031.00 2.250 mm length

27.032.00 2.500 mm length

Accessories

■ Boxed qty: 1 piece

27.009.01 keep for Push Bolt Rod, round

27.009.02 keep for Push Bolt Rod, oval

27.009.03 euro groove guide

27.009.21 keep for floor

2A

2B

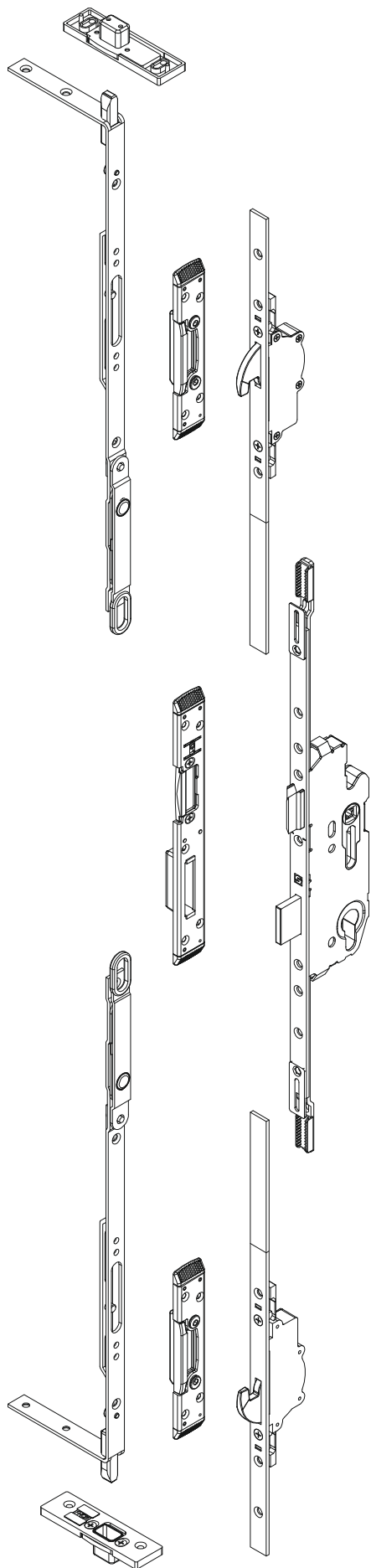
2C

2D

2E

2F

3



For various door heights, in conjunction with a retrofitted lock (see page 2-A-0820).

■ Active leaf

- Installation of a three-part lock (Pivot Bolt Lock, see page 2-A-0820).
- Can be shortened.

■ Passive leaf

- The flush bolt is available in different sizes according to the door height; 2 sizes for the top and 2 sizes for the bottom.
- The keeps are integrated into the flush bolts: the fitting always fits - and is independent of the door height.

Square bolt lock plate for use with counter movement ZV locks.

Finish: **Silverline**
 Faceplate: F 16 x 2,7 mm
 ■ Boxed qty.: 1 piece

- 05.220.01 top and bottom 16 x 550 mm, two pieces per sash
- 05.220.02 top and bottom 16 x 785 mm, two pieces per sash

Keep for square bolt

Finish: **Silverline**
 ■ Boxed qty.: 5 pieces

- 11.501.126 F/R -opposite fittings groove, length 252,5 mm, left
- 11.501.226 F/R -opposite fittings groove, length 252,5 mm, right
- 05.221.01 ZV keep for a square bolt (Boxed qty. 1 piece)

2A

2B

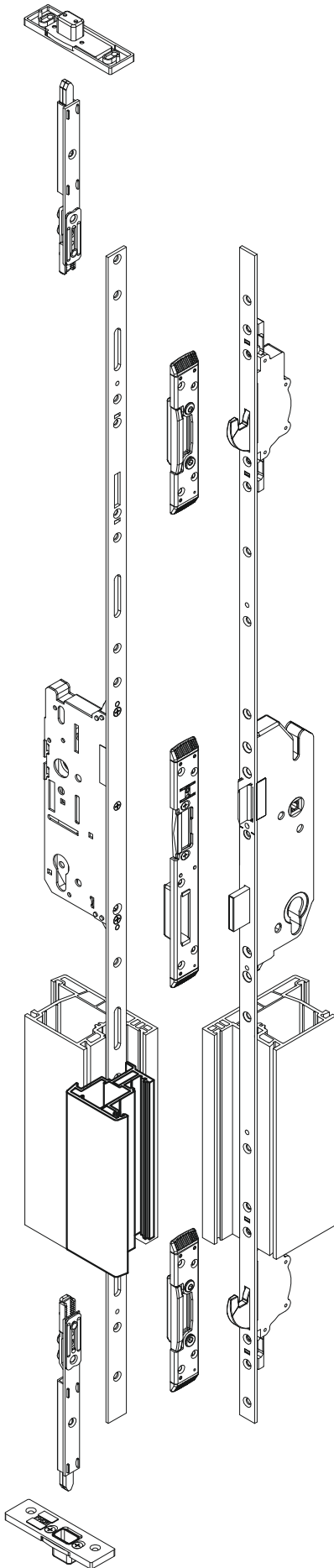
2C

2D

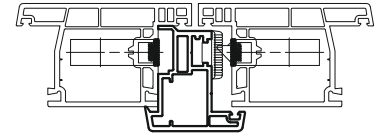
2E

2F

3



For concealed fittings groove with the handle/locking mechanism in the slave leaf.



Active leaf

- To be used with Pivot Bolt Locks (see page 2-A-0440) or with the ZVL door lock (see page 2-A-0520)

Passive leaf

- A plate lock for the installation of a further handle set (same drilling template and same visual appearance) or for a cross-locking device with t/t fittings parts (corner slider and end-locking device)
- Backset as required
- Top and bottom rod-lock travel with profile-related and/or sill-related adjustable keeps
- A plate lock for the installation of a further handle set (same drilling template and same visual appearance)
- The locking of the fixed leaf is carried out by locking devices situated at the top and at the bottom or by a cross-locking device with t/t fittings parts (corner slider and end-locking device)

Double leaf lock with concealed fittings groove with toothed rack, without bolt

Finish: **Silverline**
 Faceplate: F 16 x 2,7 mm
 Hole centres: 92 mm
 Spindle: 8 mm
 ■ Boxed qty.: 1 piece

21.501.53 35 mm backset, lift-lever
 05.102.02 30 mm backset

End plate 150 mm rod-travel 18 mm

Finish: **Silverline**
 Faceplate: F 16 x 2,7 mm
 ■ Boxed qty.: 1 piece

04.011.09 bottom
 04.011.10 top

Keeps for opposite fittings groove.

Finish: **Silverline**
 Width: 29 mm
 ■ Boxed qty.: 1 piece

11.501.126 F/R -opposite fittings groove, length 252,5 mm, left
 11.501.226 F/R -opposite fittings groove, length 252,5 mm, right
 11.551.126 bolt, opposite fittings groove, length 176 mm left
 11.551.226 bolt, opposite fittings groove, length 176 mm right

2A

2B

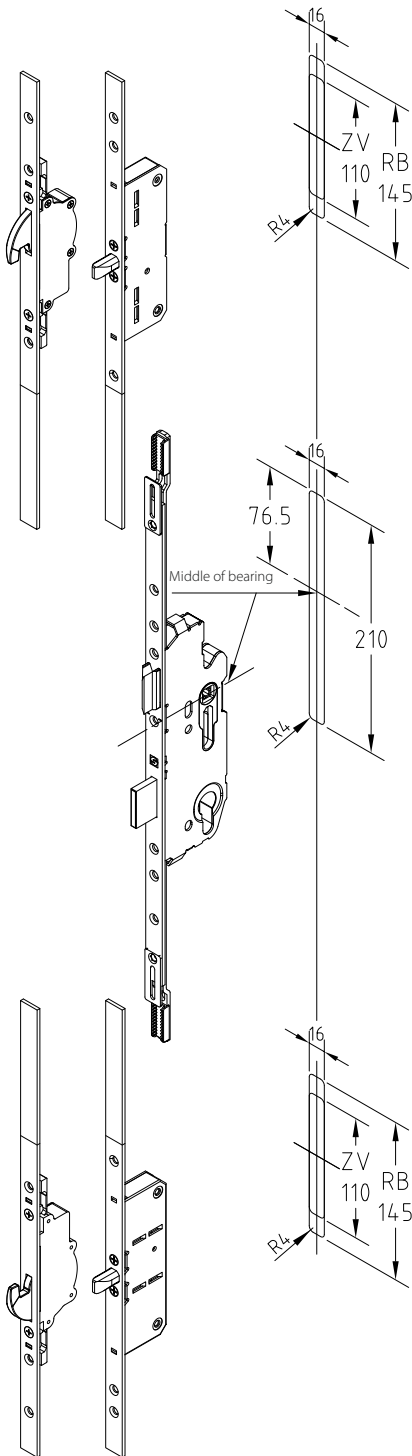
2C

2D

2E

2F

3



Lock for Retrofitting,

- 3-part lock, suitable for all dimensions
- A counter movement version for increased burglar resistance.
- 3-fold locking in the form of either pivot bolt locks or round bolt locks
- The main lock with a toothed bracket for attaching an additional or t/t-lock
- The same end plates, upper and lower
- Can be used for all lever heights.

Finish: **Silverline**
 Faceplate: F 16 x 2,7 mm
 Hole centres: 92 mm
 Spindle-housing: 10 mm
 Total length: 648 mm
 ■ Boxed qty.: 1 piece

Retrofitting-main lock (1 each) + end plates (2 each)

- 19.441.03 main lock, 35 mm backset
- 19.441.04 main lock, 40 mm backset
- 19.441.05 main lock, 45 mm backset
- 19.440.01 pivot bolt, end plate, 1.177 mm (2)
- 19.440.02 round bolt, end plate, 1.177 mm (2)
- 43.008.18 spindle, 8/10/8, 130 mm

Finish: **Silverline**
 Faceplate: F 20 x 2,7 mm
 Hole centres: 92 mm
 Spindle-housing: 10 mm
 Total length: 648 mm
 ■ Boxed qty.: 1 piece

Retrofitting-main lock (1 each) + end plates (2 each)

- 19.442.05 main lock, 45 mm backset
- 19.440.05 round bolt, end plate, 1.177 mm (2)
- 43.008.18 spindle, 8/10/8, 130 mm

Finish: **Silverline**
 Faceplate: U 24 x 6,0 mm
 Hole centres: 92 mm
 Spindle-housing: 10 mm
 Total length: 648 mm
 ■ Boxed qty.: 1 piece

Retrofitting-main lock (1 each) + end plates (2 each)

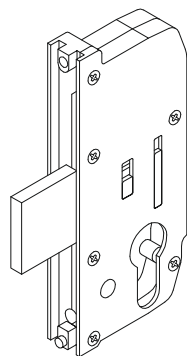
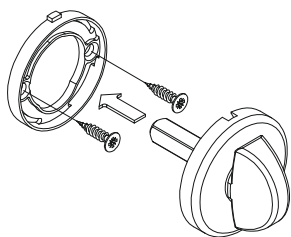
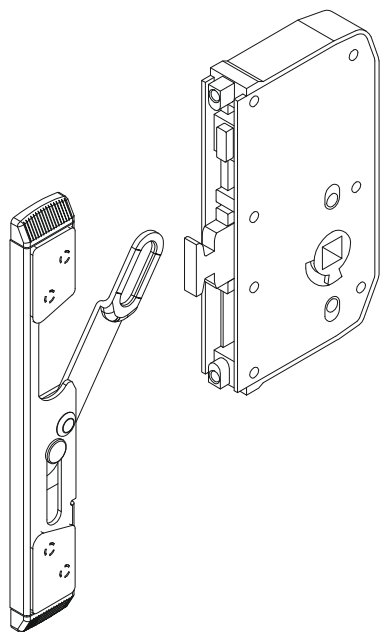
- 19.445.03 main lock, 35 mm backset
- 19.445.04 main lock, 40 mm backset
- 19.445.05 main lock, 45 mm backset
- 19.440.03 pivot bolt, end plate, 1.177 mm (2)
- 19.440.04 round bolt, end plate, 1.177 mm (2)
- 43.008.18 spindle, 8/10/8, 130 mm

■ The retrofitting lock and repair lock fits all standard door locks

■ Important order information (please tick)

- Version
 - pivot bolt
 - round bolt
- Faceplate type
 - 16 mm Faceplate
 - 20 mm Faceplate
 - 24 mm Faceplate U
- Backset
 - 35 mm
 - 40 mm
 - 45 mm

Strikers see from page 2-B-0100.



The screw-on safety catch lock cases are ideal for minimum stock.

■ Boxed qty.: 1 piece

For ZV and DV synchronized

19.891.038	35 mm backset
19.891.048	40 mm backset
19.891.058	45 mm backset
19.891.068	55 mm backset
19.890.05	45 mm backset, projection length 6,8 mm

For ZV counter movement

19.891.03	35 mm backset
19.891.04	40 mm backset
19.891.05	45 mm backset
19.891.06	55 mm backset
19.890.15	45 mm backset, projection length 6,8 mm

For 3S-A and locks of version G

Function: not to open from outside

19.892.03	35 mm backset
19.892.04	40 mm backset
19.892.05	45 mm backset

Bolt rose

For fits to safety catch with screw.

Spindle: 8 mm
 Spindle Length: 40 mm
 Diameter Rose: 53 mm
 Screw Distance: 36 mm
 ■ Boxed qty.: 1 piece

10.505.03	white
10.505.02	brown
10.505.05	stainless steel

The screw-on additional locks

are ideal for minimum stock.

■ Boxed qty.: 1 and 5 pieces

For ZV and DV synchronized

20.700.03	35 mm backset
20.700.04	40 mm backset
20.700.05	45 mm backset
20.700.06	55 mm backset

2A

2B

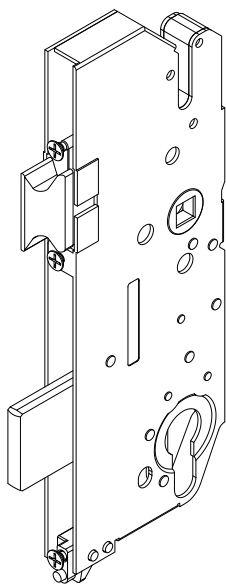
2C

2D

2E

2F

3



Ideal for minimum stock, because they can be installed onto every Schüring Version P range: from 35 mm backset.

■ Boxed qty.: 1 and 5 pieces

Lock case version P with 8 mm spindle

19.991.038	35 mm backset, stepped latch
19.991.048	40 mm backset, stepped latch
19.991.058	45 mm backset, stepped latch
19.991.068	55 mm backset, stepped latch
19.991.078	65 mm backset, stepped latch
19.991.088	65 mm backset, non-stepped latch*
19.998.038	35 mm backset, stepped latch, KABA*
19.998.048	40 mm backset, stepped latch, KABA*
19.998.058	45 mm backset, stepped latch, KABA*

Lock case version P with 10 mm spindle

19.992.048	40 mm backset, stepped latch
19.992.058	45 mm backset, stepped latch

Loose latch for lock cases

19.994.038	35 mm backset, non-stepped latch
19.994.048	40 mm backset, non-stepped latch
19.994.058	45 mm backset, non-stepped latch
19.994.068	55 mm backset, non-stepped latch
19.997.038	35 mm backset, stepped latch
19.997.048	40 mm backset, stepped latch
19.997.058	45 mm backset, stepped latch

A loose cranked latch non-adjustable, for increased closing convenience

19.995.070	35 mm backset
19.995.071	40 mm backset
19.995.072	45 mm backset

Loose latch for lock case

19.995.018	25 mm backset
19.995.028	30 mm backset
19.995.038	35 mm backset
19.995.048	40 mm backset
19.995.058	45 mm backset
19.995.068	55 mm backset

Accessories

00.125.059	clip for door locks
------------	---------------------

2A

2B

2C

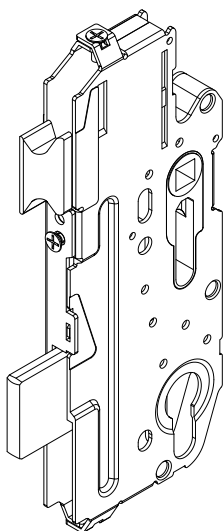
2D

2E

2F

3

* on request.



Ideal for minimum stock, because they can be installed onto every Schüring Version P range: from 35 mm backset.

■ Boxed qty.: 1 and 5 pieces

Lock case version P with 8 mm spindle

19.991.03	35 mm backset, stepped latch
19.991.04	40 mm backset, stepped latch
19.991.05	45 mm backset, stepped latch
19.991.06	55 mm backset, stepped latch
19.991.07	65 mm backset, stepped latch*
19.991.08	65 mm backset, non-stepped latch*
19.998.03	35 mm backset, stepped latch, Kaba*
19.998.04	40 mm backset, stepped latch, Kaba*
19.998.05	45 mm backset, stepped latch, Kaba*
19.994.15	45 mm backset, stepped latch 88/8,5 mm Austrian Standard*
19.996.05	45 mm backset, stepped latch, SKG

Lock case version P with 10 mm spindle

19.992.03	35 mm backset*
19.992.04	40 mm backset
19.992.05	45 mm backset
19.992.06	55 mm backset*

Loose latch for lock cases

19.994.03	35 mm backset, non-stepped latch
19.994.04	40 mm backset, non-stepped latch*
19.994.05	45 mm backset, non-stepped latch
19.994.06	55 mm backset, non-stepped latch*
19.997.03	35 mm backset, stepped latch
19.997.04	40 mm backset, stepped latch
19.997.05	45 mm backset, stepped latch

Loose latch, not adjustable, for lock cases

19.995.03	35 mm backset
19.995.04	40 mm backset
19.995.05	45 mm backset
19.995.06	55 mm backset
00.102.601	grub screw for the adjustment of the roller latch 45 mm backset
00.102.602	grub screw for the adjustment of the roller latch 35/40 mm backset

Accessories

00.125.059	clip for door locks
------------	---------------------

2A

2B

2C

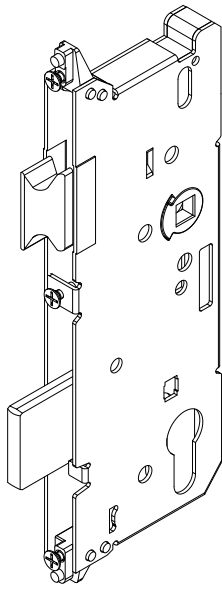
2D

2E

2F

3

* on request.

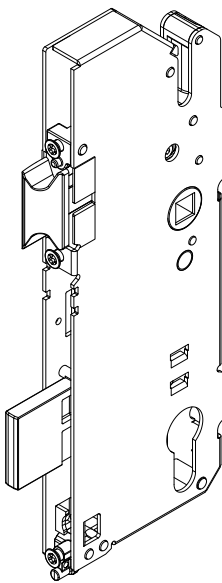


Lock case Version G

with 8 mm spindle, bolt 20 mm.

■ Boxed qty: 1 piece

19.991.11	25 mm backset
19.991.12	30 mm backset
19.991.13	35 mm backset
19.991.14	40 mm backset
19.991.15	45 mm backset
19.991.16	55 mm backset
19.998.15	45 mm backset, Kaba



Lock case 3S-A

Version P with 8 mm spindle.

■ Boxed qty: 1 piece

19.994.16	45 mm backset
19.994.17	55 mm backset

2A

2B

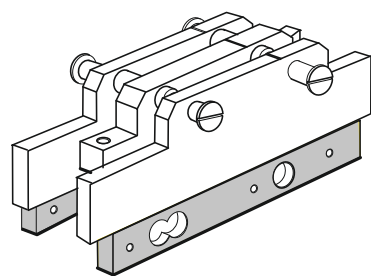
2C

2D

2E

2F

3



Jig for residential doors

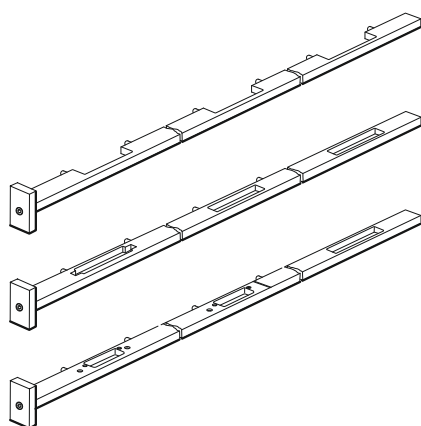
for made to measure routing of spindle housing, cylinders and for screw positions.

■ Boxed qty.: 1 piece

Complete with crown miller and intake

21.900.00	25 – 55 mm backset adjustable for ZV, DV, SV, RV, for Flat plate and U-plate
21.900.11	adapter for rose
99.705.973	jig for rose

- When ordering please state size of backset, and height of faceplate.
- The jig with U-plate can be used for different backset sizes by inserting the corresponding spacer.



Drilling and routing template

With the drilling and routing jigs, slots and 2 screw holes for the Schüring ZV-striker plates can be cut according to the exact size of the profile.

■ Boxed qty.: 1 piece

Individually available on request.

List of single components for the drilling and routing template

21.000.08	crown miller 20 mm
21.000.05	support for crown miller 11 mm
21.000.09	crown miller 22 mm
21.000.03	support for crown miller 9 mm
00.462.506	crown miller 21 mm
00.462.508	crown miller 16 mm
00.462.512	crown miller 12 mm

■ Recommendation

For the hinge side system use the m-tec hinge jig. The separate assembly process is extremely time saving.

■ N.B.

Drilling and routing processes should always be carried out on single bar profile. When working on completed or installed frames, the residue PVC scarf may cause mal-functioning of the lock.

2A

2B

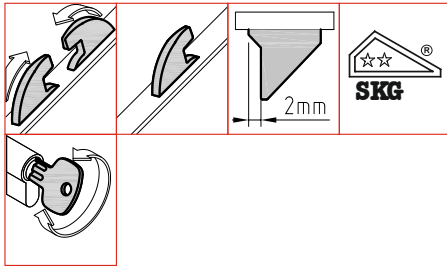
2C

2D

2E

2F

3



The counter movement Pivot Bolt-Technology, with hook bolt contact into the keep and the rigid, non-sprung bolt which is locked in the final position (which will satisfy the requirements of DIN 18251-3) guarantees highest security.

As the same time the system allows precise adjustment of the bolt and hook enclosure into the keeps which results in exceptional ease of operation. Non-handed.

Finish: **stainless steel**
 Faceplate: F 24 x 2,7 mm
 Hole centres: 92 mm
 Spindle-housing: 8 mm
 Rear backset: 18 mm
 Total length: 2.100 mm
 ■ Boxed qty.: 1 and 4 pieces

Pivot bolt lock, 24 mm faceplate

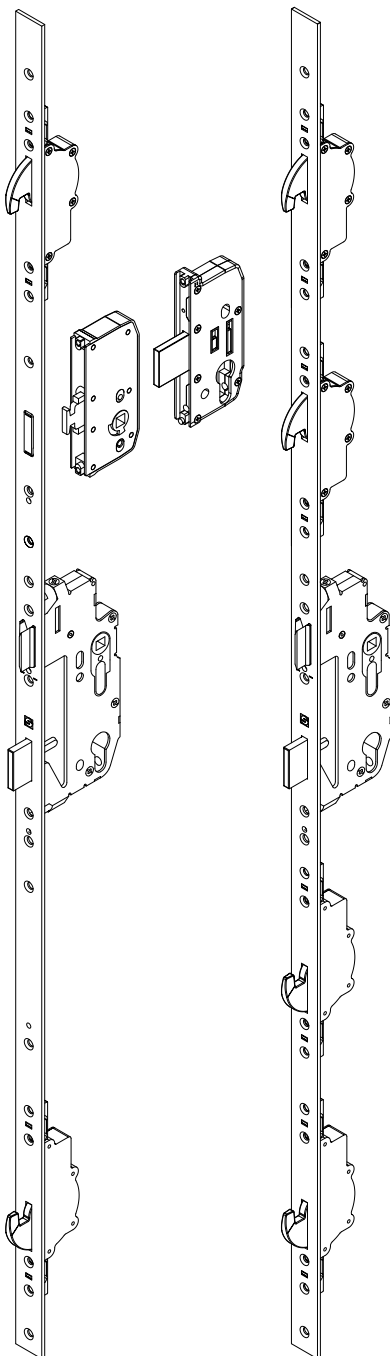
- 19.407.73 ZV 35 mm backset, 2 pivot bolts*
- 19.407.83 ZV 35 mm backset, 4 pivot bolts*
- 19.407.84 ZV 40 mm backset, 4 pivot bolts*
- 24.407.73 ZV 35 mm backset, automatic, 2 pivot bolts*
- 24.407.75 ZV 45 mm backset, automatic, 2 pivot bolts*
- 19.891.03 safety catch, 35 mm backset*
- 17.580.21 one piece keep double, stainless steel, left*
- 17.580.22 one piece keep double, stainless steel, right*
- 17.580.19 one piece keep double, stainless steel, left, faceplate*
- 17.580.20 one piece keep double, stainless steel, right, faceplate*
- 17.580.25 one piece keep fourfold, stainless steel, left*
- 17.580.26 one piece keep fourfold, stainless steel right*
- 17.580.23 one piece keep double safety catch, stainless steel, left*
- 17.580.24 one piece keep double safety catch, stainless steel, right*
- 17.580.27 one piece keep for automatic, stainless steel, left*
- 17.580.28 one piece keep for automatic, stainless steel, right*
- 19.081.10 ZV-lock house door keep, right*
- 19.081.11 ZV-lock house door keep, left*
- 19.082.20 safety catch, right*
- 19.082.21 safety catch, left*
- 19.085.11 ZVA-pressure plate, left*
- 19.085.12 ZVA-pressure plate, right*
- 12.333.04 door opener with day release 9 mm, for radius latch*
- 17.310.01 hinge-side security profile, frame*
- 17.310.92 hinge-side security profile, casement*

Lever sets for aluminium doors, cranked with return spring, 35 mm backset

- 21.626.10 EV1
- 21.626.20 brown
- 21.626.30 white
- 21.626.90 stainless steel

Spindle bearing

- 16.000.00



2A

2B

2C

2D

2E

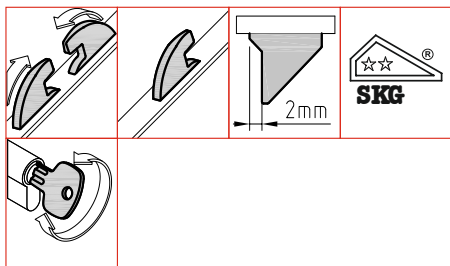
2F

3

* on request.

Lever sets see from page 2-C-0090.





The counter movement Pivot Bolt-Technology, with hook bolt contact into the keep and the rigid, non-sprung bolt which is locked in the final position (which will satisfy the requirements of DIN 18251-3) guarantees highest security.

As the same time the system allows precise adjustment of the bolt and hook enclosure into the keeps which results in exceptional ease of operation. Non-handed.

Finish: **stainless steel**
 Faceplate: F 20 x 2,7 mm
 Hole centres: 92 mm
 Spindle-housing: 8 mm
 Rear backset: 18 mm
 Total length: 2.100 mm
 ■ Boxed qty.: 1 and 5 pieces

Pivot bolt lock, 20 mm faceplate

- 19.402.75 ZV 45 mm backset, 2 pivot bolts*
- 19.402.85 ZV 45 mm backset, 4 pivot bolts*
- 24.402.75 ZV 45 mm backset, automatic, 2 pivot bolts*
- 19.891.05 safety catch, 45 mm backset*

Keeps, stainless steel

- 17.570.01 one piece keep double, stainless steel, left*
- 17.570.02 one piece keep double, stainless steel, right*
- 17.570.03 one piece keep double, stainless steel, left, faceplate*
- 17.570.04 one piece keep double, stainless steel, right, faceplate*
- 17.571.01 one piece keep fourfold, stainless steel, left*
- 17.571.02 one piece keep fourfold, stainless steel, right*
- 17.570.11 one piece keep double safety catch, stainless steel, left*
- 17.570.12 one piece keep double safety catch, stainless steel, right*
- 19.081.21 ZV-lock house door keep, left*
- 19.081.20 ZV-lock house door keep, right*
- 19.082.10 safety catch, right*
- 19.082.11 safety catch, left*
- 19.085.01 ZVA-pressure plate, left*
- 19.085.02 ZVA-pressure plate, right*
- 12.333.04 door opener with day release 9 mm, for radius latch*

Accessories

- 19.995.058 loose latch 45 mm backset, synchronized
- 19.995.05 loose latch 45 mm backset, counter movement

Catch guide for outward opening doors

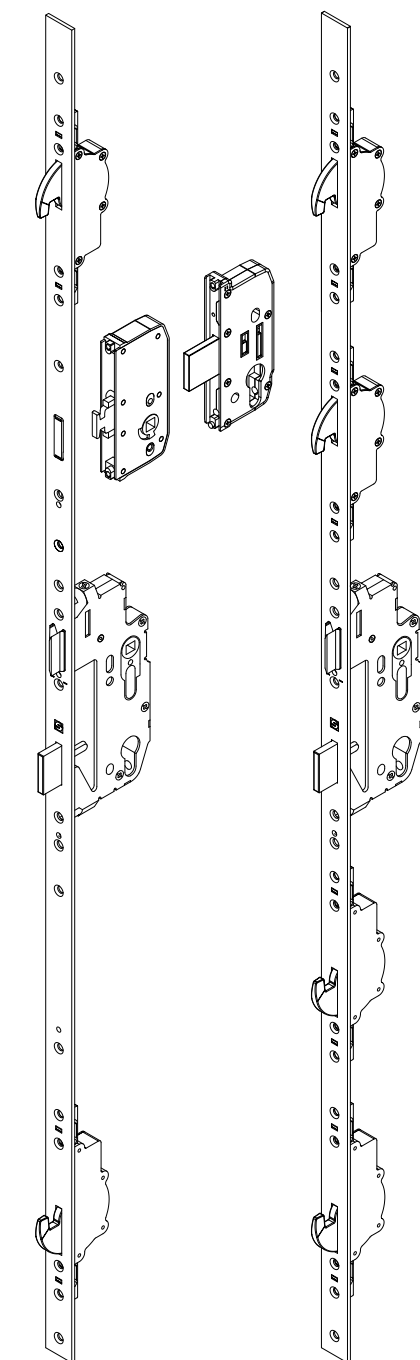
- 12.391.23 Wicona Wicstyle 65/7

Lever sets for aluminium doors, cranked with return spring, 35 mm backset

- 21.626.10 EV1
- 21.626.20 brown
- 21.626.30 white
- 21.626.90 stainless steel

Spindle bearing

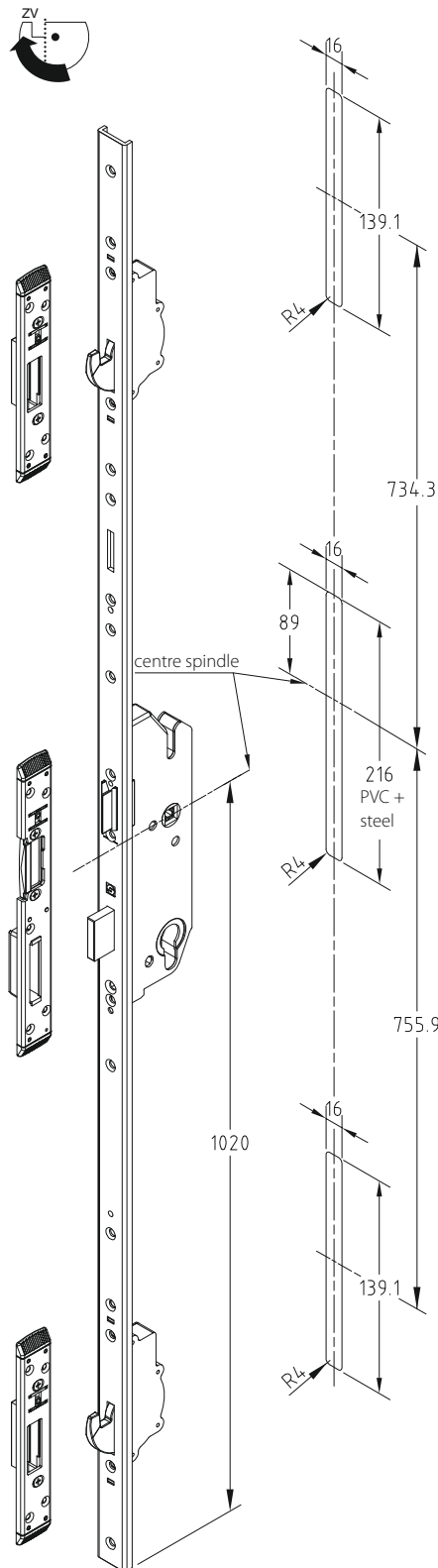
- 16.000.00



* on request.

Lever sets see from page 2-C-0090.





The synchronized Pivot Bolt Technology, with hooked bolt contact into the keep and the rigid, non-sprung bolt which is locked in the final position (in accordance with DIN 18251-3) warrants highest security. At the same time, the system allows precise adjustment of the bolt and hook enclosure into the keeps which results in exceptional ease of operation. Non-handed.

Finish: **stainless steel**
 Faceplate: U 24 x 6,0 mm
 Hole centres: 92 mm
 Spindle-housing: 8 mm
 Rear backset: 18 mm
 Total length: 2.100 mm
 ■ Boxed qty.: 1 and 4 pieces

Pivot bolt lock, 24 mm U-plate

- 20.033.131 mortice lock, 35 mm backset, length 320 mm, non-stepped latch
- 20.405.73 ZV 35 mm backset, 2 pivot bolts, synchronized, non-stepped latch
- 20.405.63 ZV 35 mm backset, 4 pivot bolts, synchronized, non-stepped latch
- 19.891.038 safety catch, 35 mm backset, synchronized

Keeps, stainless steel

- 19.081.21 latch/bolt keep left, centered screw connection
- 19.081.20 latch/bolt keep right, centered screw connection
- 16.927.24 latch/bolt keep left, offset screw connection, Schüco ADS 65
- 16.927.25 latch/bolt keep right, offset screw connection, Schüco ADS 65
- 16.993.81 bolt keep
- 16.993.84 bolt keep left, 1 swivel bolt, 2 Round Bolt, offset screw connection, Schüco ADS 65
- 16.993.85 bolt keep right, 1 swivel bolt, 2 Round Bolt, offset screw connection, Schüco ADS 65
- 20.863.13 safety catch, left
- 20.863.14 safety catch, right
- 10.505.03 bolt rosette, white
- 10.505.02 bolt rosette, brown
- 10.505.05 bolt rosette, stainless steel
- 12.333.04 Alu/PVC-Door opener 9 mm with day release for radius latch
- 12.391.02 radius latch Schüco Royal

Accessories

- 19.995.038 loose latch 35 mm backset, synchronized
- 19.995.03 loose latch 35 mm backset, counter movement

Catch guide for outward opening doors

- 12.391.22 Schüco Royal S65*
- 12.391.23 Schüco Royal S70*

Lever set for aluminium doors, cranked with return spring, 35 mm backset

- 21.626.10 EV1
- 21.626.20 brown
- 21.626.30 white
- 21.626.90 stainless steel

Spindle bearing

- 16.000.00

2A

2B

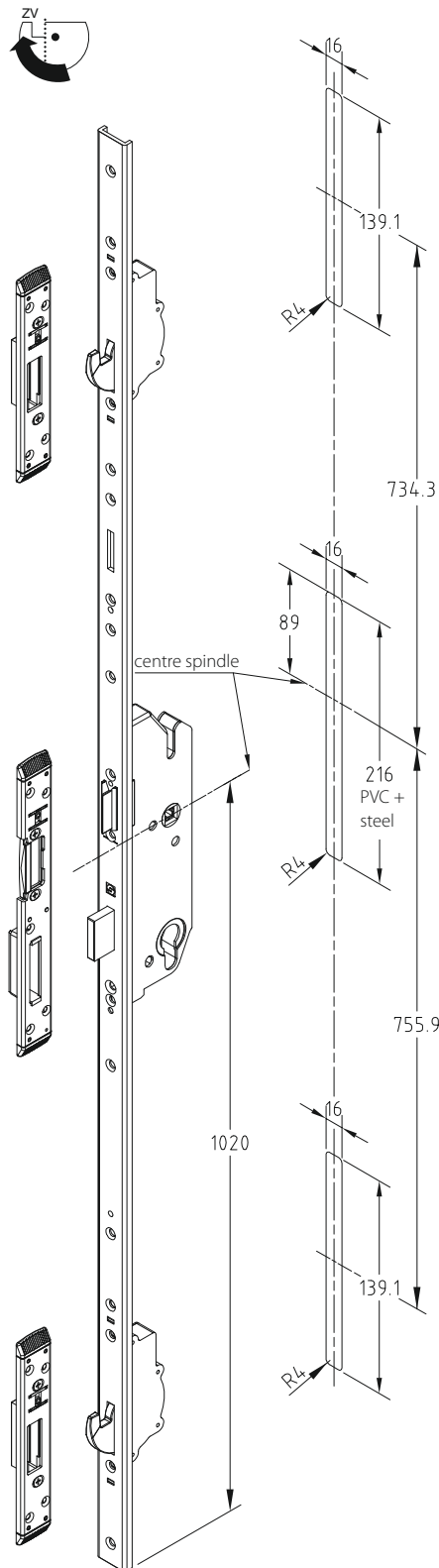
2C

2D

2E

2F

3



The synchronized Pivot Bolt Technology, with hooked bolt contact into the keep and the rigid, non-sprung bolt which is locked in the final position (in accordance with DIN 18251-3) warrants highest security. At the same time, the system allows precise adjustment of the bolt and hook enclosure into the keeps which results in exceptional ease of operation. Non-handed.

- Finish: **stainless steel**
- Faceplate: U 24 x 6,0 mm
- Hole centres: 92 mm
- Spindle-housing: 8 mm
- Rear backset: 18 mm
- Total length: 2.100 mm
- Boxed qty.: 1 and 4 pieces

Pivot bolt lock, 24 mm U-plate

- 20.033.131 mortice lock, 35 mm backset, length 320 mm, U-plate, 6,0 mm, non-stepped latch
- 20.405.73 ZV 35 mm backset, 2 pivot bolts, synchronized, non-stepped latch
- 20.405.63 ZV 35 mm backset, 4 pivot bolts, synchronized, non-stepped latch
- 19.891.038 safety catch, 35 mm backset, synchronized

Strikers

- 19.314.01 latch/bolt keep, left, adjustable
- 19.314.02 latch/bolt keep, right, adjustable
- 19.314.03 latch/bolt keep, not adjustable
- 19.314.05 bolt keep, not adjustable
- 19.314.07 bolt keep, adjustable
- 20.863.13 safety catch, left
- 20.863.14 safety catch, right
- 10.505.03 bolt rosette, white
- 10.505.02 bolt rosette, brown
- 10.505.05 bolt rosette, stainless steel
- 16.927.63 latch/bolt keep with mounted electric opener, right
- 16.927.64 latch/bolt keep with mounted electric opener, left
- 19.314.04 round bolt keep, adjustable
- 19.314.06 round bolt keep, not adjustable

Accessories

- 19.995.038 loose latch 35 mm backset, synchronized
- 19.995.03 loose latch 35 mm backset, counter movement

Catch guide for outward opening doors

- 12.391.21 Heroal 065

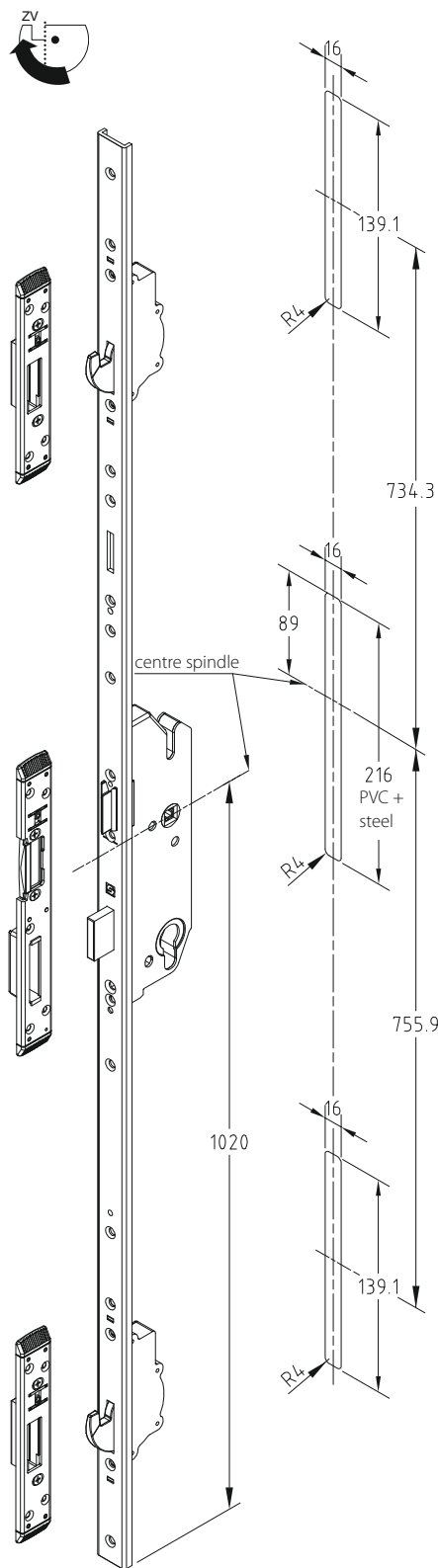
Lever set for aluminium doors, cranked with return spring, 35 mm backset

- 21.626.10 EV1
- 21.626.20 brown
- 21.626.30 white
- 21.626.90 stainless steel

Spindle bearing

- 16.000.00





The Pivot Bolt Technology with hook bolt contact into the keep and the rigid, non-sprung bolt which is locked in the final position (in compliance with the requirements of DIN 18251-3) warrants highest security. At the same time, the system allows precise adjustment of the bolt and hook enclosure into the keeps which results in exceptional ease of operation. Non-handed.

Finish: **stainless steel**
 Faceplate: U 24 x 6,0 mm
 Hole centres: 92 mm
 Spindle-housing: 8 mm
 Rear backset: 18 mm
 Total length: 2.100 mm
 ■ Boxed qty.: 1 and 4 pieces

Pivot bolt lock, 24 mm U-plate

- 20.033.131 mortice lock, 35 mm backset, length 320 mm
- 27.106.03 anti-panic lock case, 35 mm backset, length 292 mm, spindle 9 mm
- 20.405.73 ZV 35 mm backset, 2 pivot bolts, synchronized
- 19.891.038 safety catch, 35 mm backset, synchronized

Keeps

- 19.317.01 latch/bolt keep left*
- 19.317.02 latch/bolt keep right*
- 16.993.81 bolt keep*
- safety catch keep, left*
- safety catch keep, right*
- 10.505.03 bolt rosette, white
- 10.505.02 bolt rosette, brown
- 10.505.05 bolt rosette, stainless steel
- 12.333.04 Alu/PVC-door opener 9 mm with day release for radius latch
- 12.391.02 radius latch

Accessories

- 19.995.038 loose latch 35 mm backset, synchronized
- 19.995.03 loose latch 35 mm backset, counter movement

Catch guide for outward opening doors

- 12.391.23 Reynaers*

Lever set for aluminium doors, cranked with return spring, 35 mm backset

- 21.626.10 EV1
- 21.626.20 brown
- 21.626.30 white
- 21.626.90 stainless steel

Spindle bearing

- 16.000.00

reg. design pat. pend.



In Planning

2A

2B

2C

2D

2E

2F

3

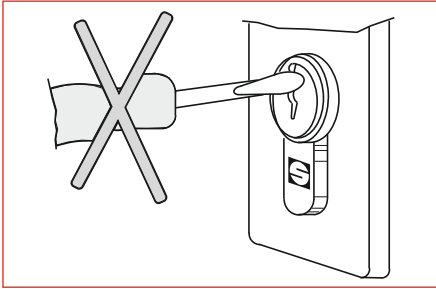
Window fittings

1

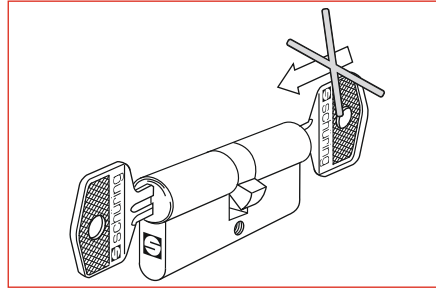
Door fittings	Electronic and mechanical residential door locks, anti-panic locks, double-casement fittings, special fittings	2A
	Keeps, special keeps, electric release, profile cylinders	2B
	Handle-sets, pull handles and accessories	2C
	Door hinges, sills, door closer and accessory	2D
	Tilt and slide fitting, folding door fittings, slide fitting	2E
	In planning	2F

Accessories and consumable items

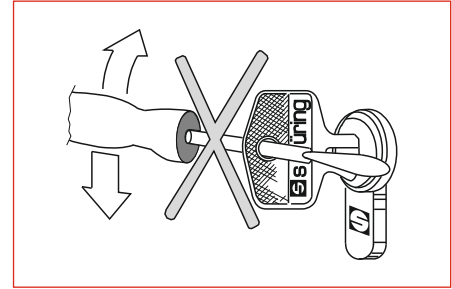
3



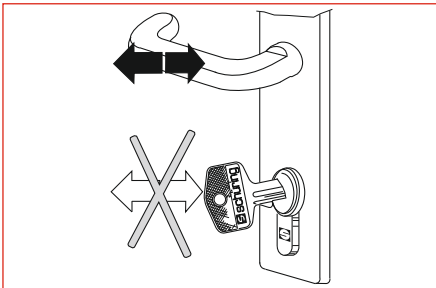
Do not insert unsuitable objects or tools into the cylinder.



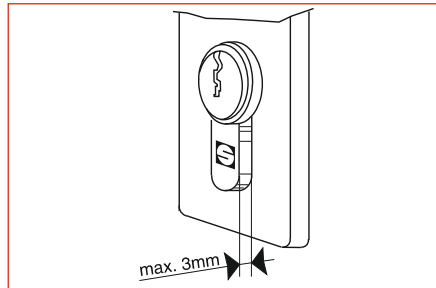
Do not insert both keys simultaneously into the cylinder.



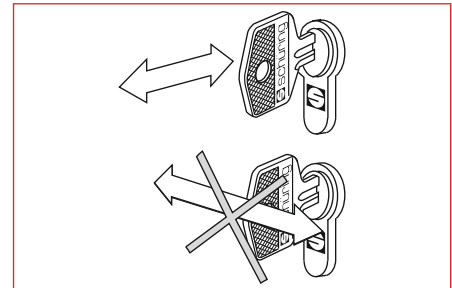
Do not use force to turn the key.



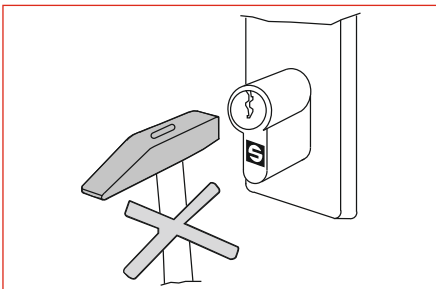
Do not use the key to pull/push the door into a closed/opened position.



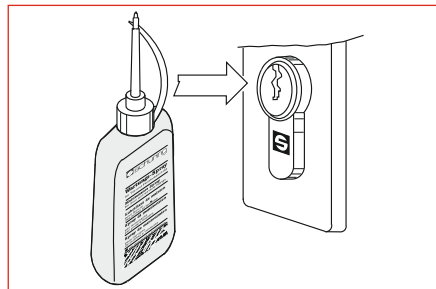
The cylinder must not protrude more than 3 mm from the fitting.



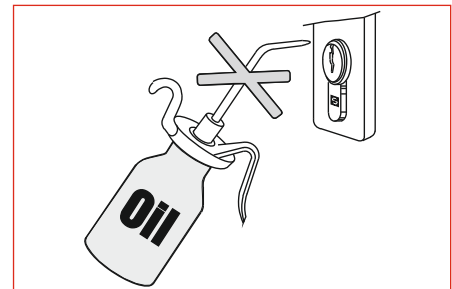
Do not tilt the key sideways during insertion and removal.



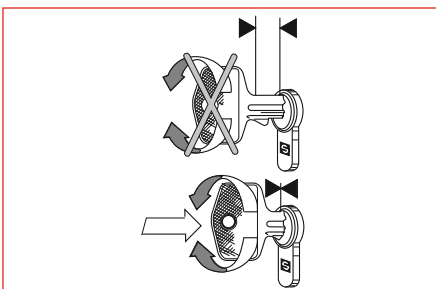
Do not use force when installing the cylinder.



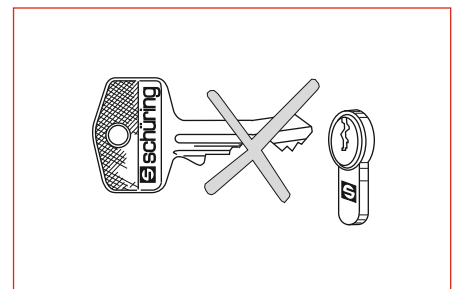
Grease the cylinder 2x per year with graphite.



Do not use oil.



Turn the key only after it has been completely inserted.



Do not use damaged keys.

2A

2B

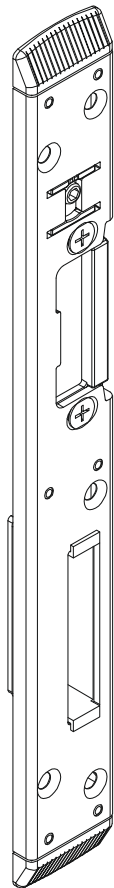
2C

2D

2E

2F

3



Latch/bolt keep for ZV and DV

with adjustable keep and closed dead bolt housing.

Finish: **SilverLine**
 Width: 29 mm
 Length: 252,5 mm
 Depth: 20,5 mm
 ■ Boxed qty.: 5 pieces

- 11.501.134 Alphacan Class, left
- 11.501.234 Alphacan Class, right
- 11.501.135 Alphacan MD Plus, left
- 11.501.235 Alphacan MD Plus, right
- 11.501.136 Alphacan 70/80, left
- 11.501.236 Alphacan 70/80, right
- 11.501.108 Aluplast Ideal 2000 / 3000/ Ideal 70, left
- 11.501.208 Aluplast Ideal 2000 / 3000/ Ideal 70, right
- 11.501.107 Aluplast Ideal 4000, left
- 11.501.207 Aluplast Ideal 4000, right
- 11.501.106 Brüggmann AD NT, left
- 11.501.206 Brüggmann AD NT, right
- 11.501.132 Brüggmann AD HT, left
- 11.501.232 Brüggmann AD HT, right
- 11.501.113 Deceuninck 2000 (Mondial), left
- 11.501.213 Deceuninck 2000 (Mondial), right
- 11.501.114 Deceuninck 3000 (Zendow), left
- 11.501.214 Deceuninck 3000 (Zendow), right
- 11.501.125 Eurocell – Logik 70, left
- 11.501.225 Eurocell – Logik 70, right
- 11.501.102 Gealan 3000 / 7000 / 8000, left
- 11.501.202 Gealan 3000 / 7000 / 8000, right
- 11.501.126 Opposite positioned eurogroove 13 mm, left
- 11.501.226 Opposite positioned eurogroove 13 mm, right
- 11.501.109 KBE AD 70, left
- 11.501.209 KBE AD 70, right
- 11.501.101 Kömmerling 3S / AV 70 / Futur / Classic, left
- 11.501.201 Kömmerling 3S / AV 70 / Futur / Classic, right
- 11.501.116 Kömmerling 3S (plate), left
- 11.501.216 Kömmerling 3S (plate), right
- 11.501.106 IB Profile PAD (Wavin), left
- 11.501.206 IB Profile PAD (Wavin), right
- 11.501.109 Panorama 3000 AD, left
- 11.501.209 Panorama 3000 AD, right
- 11.501.116 Plastmo Index, left
- 11.501.216 Plastmo Index, right
- 11.501.116 Plus Plan AD (Plustec), left
- 11.501.216 Plus Plan AD (Plustec), right
- 11.501.129 Plus Plan 70 (also Swish), left
- 11.501.229 Plus Plan 70 (also Swish), right
- 11.501.103 Rehau S 730 / S 788 / S 799 / Thermo / Brillant, left
- 11.501.203 Rehau S 730 / S 788 / S 799 / Thermo / Brillant, right
- 11.501.121 Rehau Tritec / Rehau S 706 UK, left
- 11.501.221 Rehau Tritec / Rehau S 706 UK, right

2A

2B

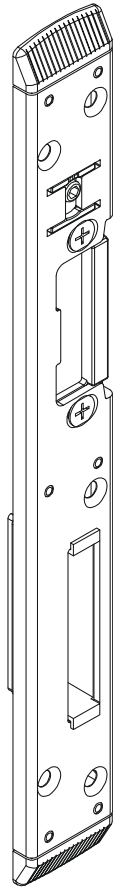
2C

2D

2E

2F

3



Latch/bolt keep for ZV and DV

with adjustable keep and closed dead bolt housing.

Finish: **SilverLine**
 Width: 29 mm
 Length: 252,5 mm
 Depth: 20,5 mm
 ■ Boxed qty.: 5 pieces

- 11.501.124 Roplasto 7001, left
- 11.501.224 Roplasto 7001, right
- 11.501.104 Salamander 2D / 3D / Salamander Streamline 76, left
- 11.501.204 Salamander 2D / 3D / Salamander Streamline 76, right
- 11.501.107 Schüco Corona, left
- 11.501.207 Schüco Corona, right
- 11.501.106 Schüco CT 70 /SI 82, left
- 11.501.206 Schüco CT 70 /SI 82, right
- 11.501.128 Synseal Shield / Synerjy, left
- 11.501.228 Synseal Shield / Synerjy, right
- 11.501.105 Thyssen AD / Prestige/ Deluxe / Elite, left
- 11.501.205 Thyssen AD / Prestige/ Deluxe / Elite, right
- 11.501.116 Thyssen AD (plate), left
- 11.501.216 Thyssen AD (plate), right
- 11.501.110 Trocal Confort / Trocal Innonova A5 – M5, left
- 11.501.210 Trocal Confort / Trocal Innonova A5 – M5, right
- 11.501.112 Trocal 900, left
- 11.501.212 Trocal 900, right
- 11.501.117 Tryba H58/2, left
- 11.501.217 Tryba H58/2, right
- 11.501.106 Veka Softline / Toplevel NT, left
- 11.501.206 Veka Softline / Toplevel NT, right
- 11.501.131 Wintech, left
- 11.501.231 Wintech, right
- 11.501.127 Wymar S 2000, left
- 11.501.227 Wymar S 2000, right
- 11.501.118 Wymar S 2500, left
- 11.501.218 Wymar S 2500, right
- 11.501.119 Wymar S 3000, left
- 11.501.219 Wymar S 3000, right

2A

2B

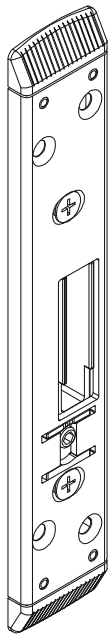
2C

2D

2E

2F

3



Keep for ZV-A, ZV and DV

adjustable via the excenter cam,
with closed dead bolt housing.

Finish: **SilverLine**
 Width: 29 mm
 Length: 176 mm
 Depth: 18,5 mm
 ■ Boxed qty.: 10 pieces

- 11.551.134 Alphacan Class, left
- 11.551.234 Alphacan Class, right
- 11.551.135 Alphacan MD Plus, left
- 11.551.235 Alphacan MD Plus, right
- 11.551.136 Alphacan 70/80, left
- 11.551.236 Alphacan 70/80, right
- 11.551.108 Aluplast Ideal 2000 / 3000 / Ideal 70, left
- 11.551.208 Aluplast Ideal 2000 / 3000 / Ideal 70, right
- 11.551.107 Aluplast Ideal 4000, left
- 11.551.207 Aluplast Ideal 4000, right
- 11.551.106 Brüggmann AD NT, left
- 11.551.206 Brüggmann AD NT, right
- 11.551.132 Brüggmann AD HT, left
- 11.551.232 Brüggmann AD HT, right
- 11.551.113 Deceuninck 2000 (Mondial), left
- 11.551.213 Deceuninck 2000 (Mondial), right
- 11.551.114 Deceuninck 3000 (Zendow), left
- 11.551.214 Deceuninck 3000 (Zendow), right
- 11.551.125 eurocell – Logik 70, left
- 11.551.225 eurocell – Logik 70, right
- 11.551.102 Gealan 3000 / 7000 / 8000, left
- 11.551.202 Gealan 3000 / 7000 / 8000, right
- 11.551.126 Opposite positioned eurogroove 13 mm, left
- 11.551.226 Opposite positioned eurogroove 13 mm, right
- 11.551.109 KBE AD 70, left
- 11.551.209 KBE AD 70, right
- 11.551.101 Kömmerling 3S / AV 70 / Futur / Classic, left
- 11.551.201 Kömmerling 3S / AV 70 / Futur / Classic, right
- 11.551.116 Kömmerling 3S (plate), left
- 11.551.216 Kömmerling 3S (plate), right
- 11.551.106 IB Profile PAD (Wavin), left
- 11.551.206 IB Profile PAD (Wavin), right
- 11.551.123 Neutral U29, left
- 11.551.109 Panorama 3000 AD, left
- 11.551.209 Panorama 3000 AD, right
- 11.551.116 Plastmo Index, left
- 11.551.216 Plastmo Index, right
- 11.551.116 Plus Plan AD (Plustec), left
- 11.551.216 Plus Plan AD (Plustec), right
- 11.551.129 Plus Plan 70 (also Swish), left
- 11.551.229 Plus Plan 70 (also Swish), right
- 11.551.103 Rehau S 730 / S 788 / S 799 / Thermo / Brillant, left
- 11.551.203 Rehau S 730 / S 788 / S 799 / Thermo / Brillant, right
- 11.551.121 Rehau Tritec / Rehau S 706 UK, left
- 11.551.221 Rehau Tritec / Rehau S 706 UK, right

2A

2B

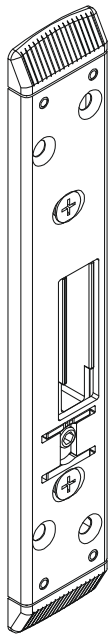
2C

2D

2E

2F

3



Keep for ZV-A, ZV and DV

adjustable via the excenter cam, with closed dead bolt housing.

Finish: **SilverLine**
 Width: 29 mm
 Length: 176 mm
 Depth: 18,5 mm
 ■ Boxed qty.: 10 pieces

- 11.551.124 Roplasto 7001, left
- 11.551.224 Roplasto 7001, right
- 11.551.104 Salamander 2D / 3D, Salamander Streamline 76, left
- 11.551.204 Salamander 2D / 3D, Salamander Streamline 76, right
- 11.551.107 Schüco Corona, left
- 11.551.207 Schüco Corona, right
- 11.551.106 Schüco CT 70 / SI 82, left
- 11.551.206 Schüco CT 70 / SI 82, right
- 11.551.128 Synseal Shield / Synerjy, left
- 11.551.228 Synseal Shield / Synerjy, right
- 11.551.105 Thyssen AD / Prestige / Deluxe / Elite, left
- 11.551.205 Thyssen AD / Prestige / Deluxe / Elite, right
- 11.551.116 Thyssen AD (plate), left
- 11.551.216 Thyssen AD (plate), right
- 11.551.110 Trocal Confort / Trocal Innonova A5 – M5, left
- 11.551.210 Trocal Confort / Trocal Innonova A5 – M5, right
- 11.551.112 Trocal 900, left
- 11.551.212 Trocal 900, right
- 11.551.117 Tryba H58/2, left
- 11.551.217 Tryba H58/2, right
- 11.551.106 Veka Softline / Toplevel NT, left
- 11.551.206 Veka Softline / Toplevel NT, right
- 11.551.131 Wintech, left
- 11.551.231 Wintech, right
- 11.551.127 Wymar S 2000, left
- 11.551.227 Wymar S 2000, right
- 11.551.118 Wymar S 2500, left
- 11.551.218 Wymar S 2500, right
- 11.551.119 Wymar S 3000, left
- 11.551.219 Wymar S 3000, right

2A

2B

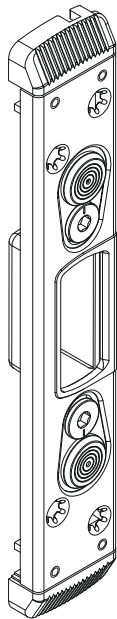
2C

2D

2E

2F

3



Keep for 3S-A Automatic Lock,
non-handed.

Finish: **SilverLine**
 Width: 29 mm
 Length: 176 mm
 Depth: 20,5 mm
 ■ Boxed qty.: 1 piece

- | | |
|------------|--|
| 24.450.18 | Alphacan Class |
| 24.450.19 | Alphacan MD Plus |
| 24.450.20 | Alphacan 70/80 |
| 24.450.06 | Aluplast 4000, Schüco Corona |
| 24.450.14 | Aluplast 2000 |
| 24.450.13 | Brügmann AD (HT) |
| 24.450.09 | Deceuninck Zendow |
| 24.450.11 | Diagonlay positioned eurogroove 16 mm |
| 24.450.01 | Gealan 3000, 7000, 8000 |
| 24.450.05 | Inoutic (Thyssen) AD, Prestige, Deluxe |
| 24.450.08 | KBE AD 70 |
| 24.450.02 | Kömmerling Euro |
| 24.450.04 | Rehau Basic, Brillant, Thermo, Character |
| 24.450.10 | Salamander 2D/3D |
| 24.450.07 | Schüco CT 70, Brügmann AD (NT), Veka Softline, Topline (NT) |
| 24.450.12 | Trocal Innonova A5/M5 |
| 24.450.17 | Trocal Innonova 2000 |
| 24.450.03 | Veka Softline, Topline (HT) |
| 24.450.15 | Veka Topline plate, right |
| 24.450.22 | Veka Topline plate, left |
| 24.450.21 | Roplasto 7000 |
| | |
| 24.450.16 | Alphacan |
| 24.451.01 | 24 U x 5 for doors of aluminium, stainless steel, Heroal, Schüco |
| 24.451.010 | 24 U für for doors of aluminium, for double leaf doors, Heroal 65, |
| 24.451.02 | 24 F x 3 for doors of aluminium, stainless steel |
| 24.451.03 | 24 U x 8,5 for doors of aluminium, stainless steel, Raynaers |
| 24.451.04 | 22 F x 2,7 for doors of aluminium, stainless steel |
| 24.451.05 | 22 U x 8,5 for doors of aluminium, stainless steel |
| 24.451.06 | 24 U x 6,6 for doors of aluminium, stainless steel |

Magnetic contact for 3S-M Motor Lock,
non-handed.

Finish: **SilverLine**
 Width: 29 mm
 Length:
 Depth: 20,5 mm
 ■ Boxed qty.: 1 piece

- | | |
|-----------|---|
| 20.499.15 | Aluplast 4000 |
| 20.499.16 | Aluplast 2000 |
| 20.499.13 | Brügmann AD |
| 20.499.17 | Deceuninck Zendow |
| 20.499.24 | Diagonlay positioned eurogroove 16 mm |
| 20.499.18 | Gealan 3000, 7000, 8000 |
| 20.499.21 | Inoutic (Thyssen) AD, Prestige, Deluxe |
| 20.499.19 | KBE AD 70 |
| 20.499.20 | Kömmerling Euro |
| 20.499.14 | Rehau Basic, Brillant, Thermo, Character |
| 20.499.22 | Salamander 2D/3D |
| 20.499.23 | Schüco CT 70, Brügmann AD (NT), Veka Softline, Topline (NT) |
| 20.499.00 | Trocal Innonova A5/M5 |
| 20.499.27 | Veka Softline/Topline house door |
| 20.499.10 | 24 x 8,5 mm |
| 20.499.11 | 24 x 5 mm |
| 20.499.12 | 24 x 6,6 mm |

2A

2B

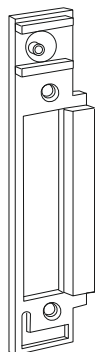
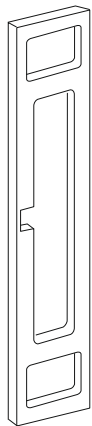
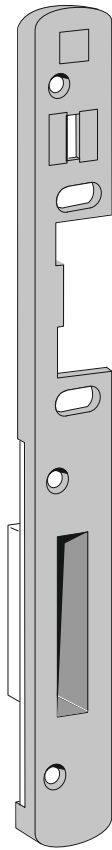
2C

2D

2E

2F

3



Latch/bolt keep for ZV
with adjustable keep and
closed dead bolt housing.

Finish: **BlackLine**
Width: 27 mm
Length: 230 mm
Depth: 19 mm
■ Boxed qty.: 1 piece

- | | |
|------------|---------------------------------------|
| 12.477.07 | Aluplast 4000, left |
| 12.477.08 | Aluplast 4000, right |
| 12.479.03 | Aluplast 8,5 mm 2000, left |
| 12.479.04 | Aluplast 8,5 mm 2000, right |
| 12.474.07 | Brüggmann AD (NT), left |
| 12.474.08 | Brüggmann AD (NT), right |
| 12.474.09 | Brüggmann AD (HT) 7 mm engaged, left |
| 12.474.10 | Brüggmann AD (HT) 7 mm engaged, right |
| 12.478.03 | Deceuninck 2000 13 mm, left |
| 12.478.04 | Deceuninck 2000 13 mm, right |
| 12.472.03 | Gealan 3000 13 mm, 7000, 8000, left |
| 12.472.04 | Gealan 3000 13 mm, 7000, 8000, right |
| 12.477.13 | KBE 70 mm, left |
| 12.477.14 | KBE 70 mm, right |
| 12.471.03 | KöVS 13 mm, left |
| 12.471.04 | KöVS 13 mm, right |
| 12.471.13 | KöVS 8,5 mm, left |
| 12.471.14 | KöVS 8,5 mm, right |
| 12.477.11 | I.B. PAD, left |
| 12.477.12 | I.B. PAD, right |
| 12.473.01 | neutral flat 13 mm, left |
| 12.473.02 | neutral flat 13 mm, right |
| 12.473.03 | neutral flat 8,5 mm, left |
| 12.473.04 | neutral flat 8,5 mm, right |
| 12.474.01 | Rehau S 730 13 mm, left |
| 12.474.02 | Rehau S 730 13 mm, right |
| 12.476.05 | Salamander 2D/3D 8,5 mm, left |
| 12.476.06 | Salamander 2D/3D 8,5 mm, right |
| 12.477.05 | Schüco Corona 13 mm (60 mm), left |
| 12.477.06 | Schüco Corona 13 mm (60 mm), right |
| 12.477.051 | Schüco Corona CT70, left |
| 12.477.061 | Schüco Corona CT70, right |
| 12.474.17 | plate 13 mm axis, left |
| 12.474.18 | plate 13 mm axis, right |
| 12.478.01 | Thyssen 13 mm (AD), left |
| 12.478.02 | Thyssen 13 mm (AD), right |
| 12.475.01 | Veka Softline 13 mm (HT), left |
| 12.475.02 | Veka Softline 13 mm (HT), right |
| 12.475.05 | Veka Topline HT, left |
| 12.475.06 | Veka Topline HT, right |

Steel plate
non-handed.

Width: 27 mm
length: 103 mm
■ Boxed qty.: 1 piece

- | | |
|-----------|---------|
| 12.401.40 | 13,5 mm |
| 12.402.40 | 8,5 mm |

Keep

Width: 20 mm
length: 85 mm
■ Boxed qty.: 1 piece

- | | |
|-----------|----------------|
| 12.401.32 | 13,5 mm, right |
| 12.401.31 | 13,5 mm, left |
| 12.402.32 | 8,5 mm, right |
| 12.402.31 | 8,5 mm, left |
| 12.403.32 | 10,0 mm, right |
| 12.403.31 | 10,0 mm, left |

2A

2B

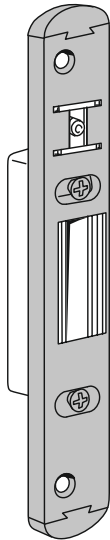
2C

2D

2E

2F

3



Keep for ZV, adjustable.

Finish: **BlackLine**
 Width: 27 mm
 Length: 149 mm
 ■ Boxed qty.: 1 piece

12.464.24	Accord Contur 7.0 (Dimex)
12.463.21	Aluplast 2000 8,5 mm
12.464.71	Aluplast 4000
12.464.08	Brüggmann AD (NT)
12.464.09	Brüggmann AD (HT) 7 mm engaged
12.462.91	Deceuninck 2000 13,5 mm
12.462.11	eurogroove 8,5 mm
12.462.21	Gealan 3000 13,5 mm
12.462.31	KBE AD 60 mm
12.462.32	KBE 70 mm
12.461.10	KöVS 13,5 mm
12.461.11	KöVS 8,5 mm
12.461.61	KöVS 10,0 mm
12.462.64	I.B. PAD
12.463.01	neutral flat 13,5 mm
12.463.10	neutral flat 8,5 mm
12.463.20	neutral flat 10,0 mm
12.464.01	Rehau S 730 13,5 mm
12.464.51	Rehau 730 10 mm
12.462.53	Salamander 2D/3D
12.462.62	Schüco Corona (60 mm)
12.462.621	Schüco Corona CT70
12.464.10	plate 13 mm
12.462.71	Thyssen 13,5 mm (AD)
12.464.11	Veka Softline 13,5 mm (HT)
12.464.61	Veka Softline 10,0 mm
12.464.81	Veka Topline (HT)

2A

2B

2C

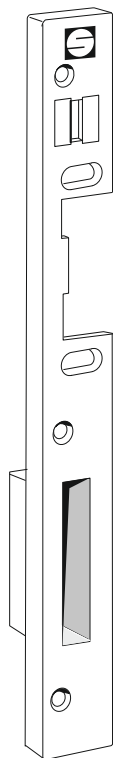
2D

2E

2F

3





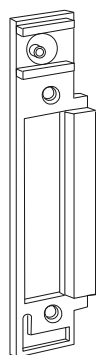
Latch/bolt keep for DV and RV

with closed dead bolt housing.

Finish: **SilverLine**
 Width: 27 mm
 Length: 212,5 mm
 Depth: 18,5 mm
 ■ Boxed qty: 1 piece

Screw Line 17 mm

11.499.33	Aluplast 4000, left
11.499.34	Aluplast 4000, right
11.494.01	Deceuninck 13 mm, 2000, left
11.494.02	Deceuninck 13 mm, 2000, right
11.493.01	Gealan 3000 13 mm, 7000, 8000, left
11.493.02	Gealan 3000 13 mm, 7000, 8000, right
11.490.01	KBE 8,0 mm, 60 mm, left
11.490.02	KBE 8,0mm 60 mm, right
11.482.01	KöAV 13 mm, left
11.482.02	KöAV 13 mm, right
11.483.01	KöVS 13 mm, left
11.483.02	KöVS 13 mm, right
11.483.51	KöVS 8,5 mm, left
11.483.52	KöVS 8,5 mm, right
11.480.01	neutral 13,5 mm, left
11.480.02	neutral 13,5 mm, right
11.480.11	neutral 8,5 mm, left
11.480.12	neutral 8,5 mm, right
11.489.01	Rehau S 730 13 mm, left
11.489.02	Rehau S 730 13 mm, right
11.489.03	Rehau 730 8,5 mm, left
11.489.04	Rehau 730 8,5mm, right
11.496.01	Roplasto 13 mm, left
11.496.02	Roplasto 13 mm, right
11.497.11	Schüco Corona CT 70, left
11.497.12	Schüco Corona CT 70, right
11.488.03	Schüco Corona 13mm, 60 mm, left
11.488.04	Schüco Corona 13 mm, 60 mm, right
11.487.01	Thyssen 13 mm, AD, left
11.487.02	Thyssen 13 mm, AD, right
11.485.01	Veka Softline 13 mm, HT, left
11.485.02	Veka Softline 13 mm, HT, right
11.495.01	Veka 16 8,5 mm, NT, left
11.495.02	Veka 16 8,5 mm, NT, right



Keep

Width: 20 mm
 length: 85 mm
 ■ Boxed qty: 1 piece

12.401.32	13,5 mm, right
12.401.31	13,5 mm, left
12.402.32	8,5 mm, right
12.402.31	8,5 mm, left
12.403.32	10,0 mm, right
12.403.31	10,0 mm, left

2A

2B

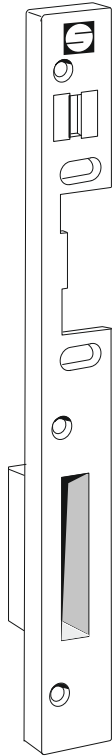
2C

2D

2E

2F

3

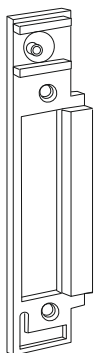


Latch/bolt keep for DV and RV
with closed dead bolt housing.

Finish: **SilverLine**
 Width: 27 mm
 Length: 212,5 mm
 Depth: 18,5 mm
 ■ Boxed qty.: 1 piece

Screw Line 17 mm

- 11.497.01 Aluplast 8,5/17, left
- 11.497.02 Aluplast 8,5/17, right
- 11.483.61 Brüggmann AD (NT), 13/10, left
- 11.483.62 Brüggmann AD (NT), 13/10, right
- 11.483.63 Brüggmann AD (HT) 7 mm engaged 13/17, left
- 11.483.64 Brüggmann (AD) (HT) 7mm engaged 13/17, right
- 16.973.82 Dimex Contour 7.0, steel, left
- 16.973.83 Dimex Contour 7.0, steel, right
- 16.924.51 KBE plate 134, left*
- 16.924.52 KBE plate 134, right*
- 11.490.03 KÖ Gold, KBE 70, left
- 11.490.04 KÖ Gold, KBE 70, right
- 11.487.11 I.B. PAD (Wavin) 13, left
- 11.487.12 IB PAD (Wavin) 13, right
- 16.973.35 Rehau 730, steel, left
- 16.973.36 Rehau 730, steel, right
- 11.486.05 Salamander 2D/3D 8,5/10, left
- 11.486.06 Salamander 2D/3D 8,5/10, right
- 11.486.15 Salamander 2D/3D 13/10, left
- 11.486.16 Salamander 2D/3D 13/10, right
- 11.483.71 plate-keeps 13 mm, left
- 11.483.72 plate-keeps 13 mm, right
- 16.903.16 Thyssen AD, steel, left
- 16.903.15 Thyssen AD, steel, right
- 11.499.29 Trocal 900, NT, steel, left*
- 11.499.30 Trocal 900, NT, steel, right*
- 16.979.03 Trocal Innonova 2000, steel, left
- 16.979.04 Trocal Innonova 2000, steel, right
- 16.998.235 Trocal Comfort, Innonova 70 A5/ M5, steel, left
- 16.998.245 Trocal Comfort, Innonova 70 A5/ M5, steel, right
- 11.485.05 Veka Topline 13/17, HT, left
- 11.485.06 Veka Topline 13/17, HT, right,
- 11.495.27 Veka Topline 13/10, NT, left
- 11.495.28 Veka Topline 13/10, NT, right
- 16.979.05 Veka Topline plate, steel, left
- 16.979.06 Veka Topline plate, steel, right



Keep

Width: 20 mm
 length: 85 mm
 ■ Boxed qty.: 1 piece

- 12.401.32 13,5 mm, right
- 12.401.31 13,5 mm, left
- 12.402.32 8,5 mm, right
- 12.402.31 8,5 mm, left
- 12.403.32 10,0 mm, right
- 12.403.31 10,0 mm, left

2A

2B

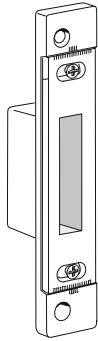
2C

2D

2E

2F

3



Keep for DV, adjustable.

Finish: **SilverLine**
 Width: 27 mm
 Length: 135 mm
 Depth: 18,5 mm
 ■ Boxed qty.: 1 piece

11.469.11	Aluplast 4000
11.466.12	Aluplast 8,5/17, 2000
11.466.01	Brüggmann AD (NT)
11.466.30	Brüggmann AD (HT) 7 mm engaged
11.466.14	Deceuninck 13/17, 2000
16.974.01	Dimex Contour 7.0, steel
11.466.13	Gealan 3000 13/17
11.466.10	KBE 8,0/17, 60 mm
11.466.25	KBE 70 mm, KÖ Gold, 13/17
16.982.015	KBE europlate 134
11.466.03	KöVS 13/17
11.467.03	KöVS 10/17
11.469.03	KöVS 8,5/17
11.466.32	I.B. PAD (Wavin) 13/17
11.465.01	neutral 13/17 – 13/10
11.465.02	neutral 8,5/17 – 13/10
11.465.03	neutral 10/17 – 10/10
11.465.12	neutral 8,5/ 10
11.466.09	Rehau S 730/735 13/17
11.467.09	Rehau S 730/735 10/17
11.469.09	Rehau S 730 8,5/17
16.973.85	Rehau 730, steel
11.466.16	Roplasto 13/17
11.466.26	Salamander 2D/3D 13/17
11.466.28	Schüco Corona, 60 mm
11.466.31	Schüco Corona CT 70 13/17
11.466.40	plate-keeps 13 mm
11.466.07	Thyssen 13/17 AD
16.903.17	Thyssen AD, steel
11.468.18	Trocal 900 NT*, steel
16.979.41	Trocal Innonova 2000, steel
16.998.71	Trocal Confort, Innonova 70 A5/M5, steel
11.466.05	Veka Softline 13/17
11.466.15	Veka 16 8,5/17, NT
11.466.29	Veka Topline 13/17, HT
11.466.41	Veka Topline 13/10, NT

2A

2B

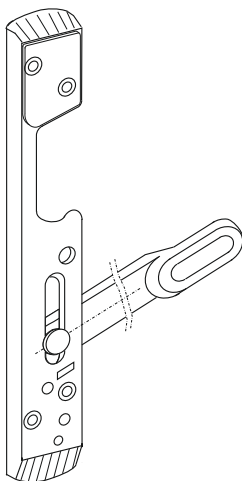
2C

2D

2E

2F

3



Safety latch for ZV and DV.

Finish: **SilverLine**
 Width: 29 mm
 Length: 188 mm
 ■ Boxed qty.: 1 piece

20.821.51	Aluplast 4000, left
20.821.52	Aluplast 4000, right
20.864.33	Gealan 3000, 7000, 8000, left
20.864.34	Gealan 3000, 7000, 8000, right
20.863.13	Heroal stainless steel, left*
20.863.14	Heroal stainless steel, right*
20.864.23	KBE AD 60 mm, left
20.864.24	KBE AD 60 mm, right
20.842.55	Klauke stainless steel, right*
20.842.56	Klauke stainless steel, left*
20.857.13	KÖVS, left
20.857.14	KÖVS, right
20.842.57	IB Profil, left
20.842.58	IB Profil, right
20.857.03	Rehau 730, left
20.857.04	Rehau 730, right
20.843.13	Salamander 2D/3D, left
20.843.14	Salamander 2D/3D, right
20.843.15	Schüco Corona CT70, left
20.843.16	Schüco Corona CT70, right
20.870.53	Thyssen (AD), left
20.870.54	Thyssen (AD), right
20.893.03	Trocal 900 (HT), left*
20.893.04	Trocal 900 (HT), right*
20.865.93	Veka Softline (HT), left
20.865.94	Veka Softline (HT), right
20.843.17	plate 13 mm, left
20.843.18	plate 13 mm, right

2A

2B

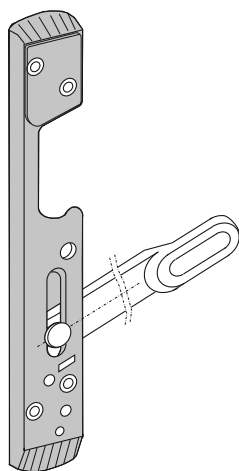
2C

2D

2E

2F

3



Safety latch for ZV.

Finish: **BlackLine**
 Width: 29 mm
 Length: 188 mm
 ■ Boxed qty.: 1 piece

19.864.38	Gealan 3000, 7000, 8000, left
19.864.39	Gealan 3000, 7000, 8000, right
19.864.23	KBE AD 60 mm, left
19.864.24	KBE AD 60 mm, right
19.857.18	KÖVS, left
19.857.19	KÖVS, right
19.857.08	Rehau 730, left
19.857.09	Rehau 730, right
19.871.90	Salamander 2D/3D, right
19.871.91	Salamander 2D/3D, left
19.843.17	Schüco Corona CT70, left
19.843.18	Schüco Corona CT70, right
19.868.18	Schüco Royal S65 (Alusystem), left
19.868.19	Schüco Royal S65 (Alusystem), right
19.870.58	Thyssen (AD), left
19.870.59	Thyssen (AD), right
19.865.98	Veka Softline (HT), left
19.865.99	Veka Softline (HT), right

2A

2B

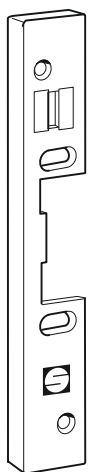
2C

2D

2E

2F

3

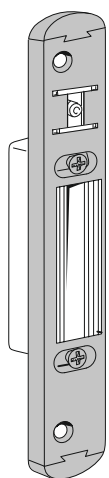


Latch keeps for ZV and DV,
non-handed.

Width: 27 mm
Length: 212,5 mm
■ Boxed qty.: 1 piece

- 12.480.21 17 mm screw level yellow
- 12.482.21 10 mm screw level yellow
- 12.584.01 ZV Aluplast
- 12.480.215 17 mm screw level, SilverLine

For axis size see latch keep. Only install the latch keep on the left-hand side.



Special keep
for an additional lock and/or block lock
(ZV version).

Width: 28 mm
Length: 149 mm
■ Boxed qty.: 1 piece

- 12.580.00 13/17 mm
- 12.590.00 8,5/17 mm
- 12.581.01 KöVA 13 mm
- 12.581.02 KöVA 8,5 mm
- 12.581.10 KöVS 13,5 mm
- 12.582.01 Gealan 13 mm



Latch holder

with spring mechanism.

■ Boxed qty.: 1 piece

- 12.312.16 9 mm axis, left
- 12.312.17 9 mm axis, right
- 12.312.24 10 mm axis, left
- 12.312.25 10 mm axis, right
- 12.312.20 13 mm axis, left
- 12.312.21 13 mm axis, right



Latch holder

as above but lockable.

■ Boxed qty.: 1 piece

- 12.312.18 9 mm axis, left
- 12.312.19 9 mm axis, right
- 12.312.26 10 mm axis, left
- 12.312.27 10 mm axis, right
- 12.312.22 13 mm axis, left
- 12.312.23 13 mm axis, right

■ **N.B.**

The latch holder is used with Lever/pad fitted doors with door closers, as an alternative to the roller latch function. Thermal expansion of the door frame alters the function of the roller latch - (originally used for swing doors). The latch holder is inserted into the keep, the same way as with the Electric Door Release.

2A

2B

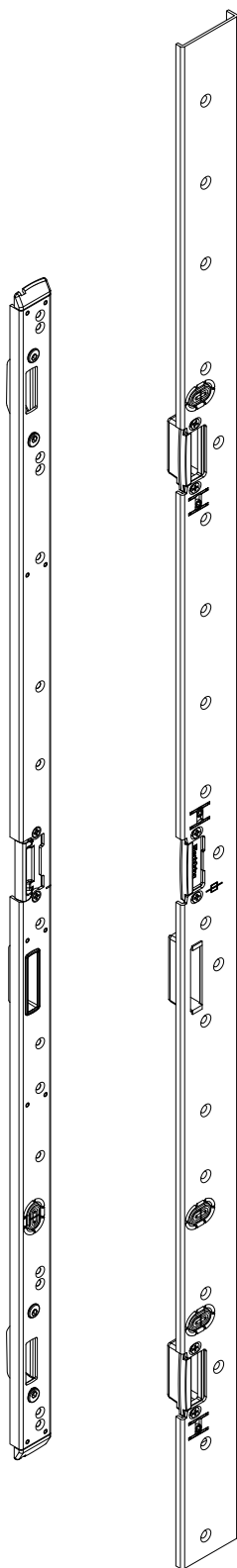
2C

2D

2E

2F

3



Special security keep

can be easily installed, or retrofitted at a later date. The dead bolt housing and latch are adjustable, as with single keeps. The routing for the bolt slots assures an exact match and is compatible with the Schüring jig system (single profiles).

The sec. keep can be fitted with the adjustable wintec® electric door release. Lockinf pins ensure an exact positioning in the profile.

Length: 2.170 mm
 ■ Boxed qty: 5 pieces

Special security keep for ZV-M

- 27.612.13 ZV-M Veka Softline/Topline, SKG, stainless steel effect, left
- 27.612.23 ZV-M Veka Softline/Topline, SKG, stainless steel effect, right
- 20.490.05 ZV-M Heroal series 65, SKG, stainless steel, left
- 20.490.06 ZV-M Heroal series 65, SKG, stainless steel, right

Special security keep for 3S-M

- 27.613.13 3S-M Veka Softline/Topline, stainless steel effect, 2.300 mm, left
- 27.613.23 3S-M Veka Softline/Topline, stainless steel effect, 2.300 mm, right
- 17.827.19 3S-M Kömmerling Future white, left
- 17.827.29 3S-M Kömmerling Future white, right
- 17.827.10 3S-M Kömmerling Future black, left
- 17.827.20 3S-M Kömmerling Future black, right
- 17.590.41 3S-M Heroal, SKG, stainless steel, 1.770 mm, left
- 17.590.42 3S-M Heroal, SKG, stainless steel, 1.770 mm, right
- 17.499.11 Magnet for motor sensor

2A

2B

2C

2D

2E

2F

3

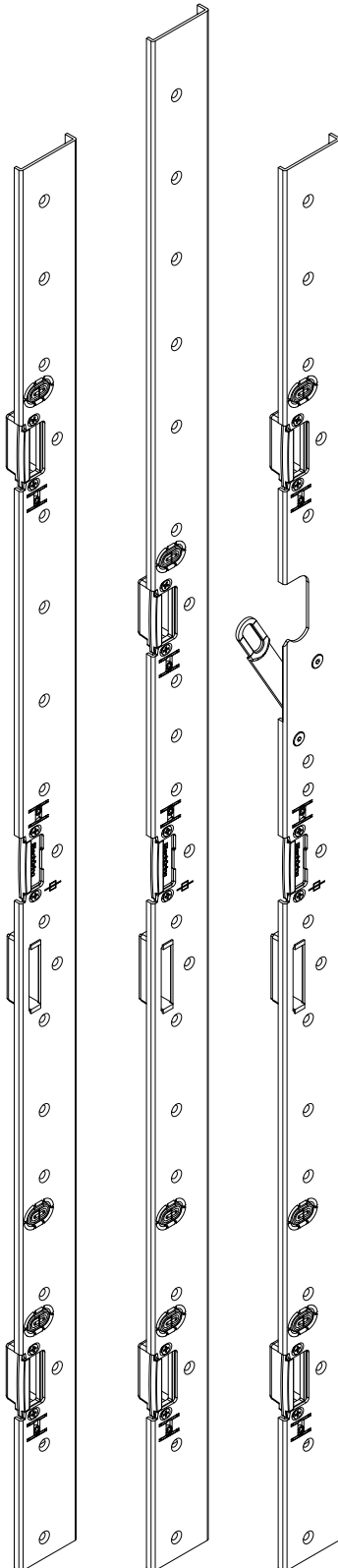
Special security keep

Can be easily installed or retrofitted at a later date. The deadbolt housing and latch are adjustable as with single keeps. The routing for the bolt slots assures an exact match and is compatible with the Schüring jig system (single bar processing).

The locking pins ensure an exact positioning in the profile

The security keep can be fitted with the adjustable wintec® electric door release.

Length: 2.170 mm
 ■ Boxed qty.: 5 pieces



Special security keep for 3S-A

17.825.19	3S-A Kömmerling Future white, left
17.825.29	3S-A Kömmerling Future white, right
17.825.10	3S-A Kömmerling Future black, left
17.825.20	3S-A Kömmerling Future black, right
17.825.22	3S-A Rehau Brillant white, left
17.825.30	3S-A Rehau Brillant white, right
27.613.13	3S-A Veka Softline/Topline, stainless steel effect, 2.300 mm, left
27.613.23	3S-A Veka Softline/Topline, stainless steel effect, 2.300 mm, right
27.611.13	3S-A plate Veka Softline/Topline, stainless steel effect, 2.300 mm, left
27.611.23	3S-A plate Veka Softline/Topline, stainless steel effect, 2.300 mm, right
17.590.41	3S-A Heroal, SKG, stainless steel, 1.770 mm, left
17.590.42	3S-A Heroal, SKG, stainless steel, 1.770 mm, right
17.590.51	3S-A plate Heroal, SKG, stainless steel, 1.770 mm, left
17.590.52	3S-A plate Heroal, SKG, stainless steel, 1.770 mm, right

Special security keep for 3S-A, 214 mm, offsetted

27.603.13	3S-A Veka Softline/Topline, stainless steel effect, offset, 2.300 mm, left
27.603.23	3S-A Veka Softline/Topline, stainless steel effect, offset, 2.300 mm, right
17.590.45	3S-A Heroal, SKG, stainless steel, 1.526 mm, left
17.590.46	3S-A Heroal, SKG, stainless steel, 1.526 mm, right

Special keep security for 3S-A, safety catch

17.826.19	3S-A Kömmerling Future, safety catch, white, left
17.826.29	3S-A Kömmerling Future, safety catch, white, right
17.826.10	3S-A Kömmerling Future, safety catch, black, left
17.826.20	3S-A Kömmerling Future, safety catch, black, right
27.613.173	3S-A Veka Softline/Topline, safety catch, stainless steel effect, 2.300 mm, left
27.613.283	3S-A Veka Softline/Topline, safety catch, stainless steel effect, 2.300 mm, right
27.611.1131	3S-A plate Veka Softline/Topline, stainless steel effect, 2.300 mm, left
27.611.2131	3S-A plate Veka Softline/Topline, stainless steel effect, 2.300 mm, right
17.590.43	3S-A Heroal, SKG, stainless steel, 1.770 mm, left
17.590.44	3S-A Heroal, SKG, stainless steel, 1.770 mm, right
17.590.53	3S-A plate Heroal, SKG, stainless steel, 1.770 mm, left
17.590.54	3S-A plate Heroal, SKG, stainless steel, 1.770 mm, right

Special security keep for 3S-A, 2.400 mm

27.703.13	3S-A Veka Softline/Topline, stainless steel effect, left
27.703.23	3S-A Veka Softline/Topline, stainless steel effect, right
17.590.47	3S-A Heroal, SKG, stainless steel, 1.970 mm, left
17.590.48	3S-A Heroal, SKG, stainless steel, 1.970 mm, right

2A

2B

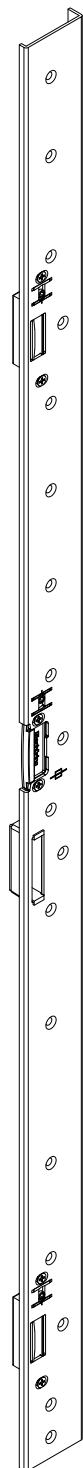
2C

2D

2E

2F

3



The special ZV-Security keep

can be easily installed, or retrofitted at a later date. The dead bolt housing and latch are adjustable, as with single keeps. The routing for the bolt slots assures an exact match and is compatible with the Schüring jig system (single profiles).

The sec. keep can be fitted with the adjustable wintec® electric door release. Locking pins ensure an exact positioning in the profile.

Finish: **Stainless steel effect**

Length: 2.170 mm

■ Boxed qty: 5 pieces

27.820.17	Deceuninck 3000, stainless steel effect, left
27.820.27	Deceuninck 3000, stainless steel effect, right
27.820.19	Kömmerling Future, KBE AD 70, KBE 88+, stainless steel effect, left
27.820.29	Kömmerling Future, KBE AD 70, KBE 88+, stainless steel effect, right
27.821.19	Kömmerling Future, KBE AD 70, KBE 88+, stainless steel effect, left, 150 mm offset
27.821.29	Kömmerling Future, KBE AD 70, KBE 88+, stainless steel effect, right, 150 mm offset
27.820.181	Schüco CT 70, Rehau Brillant, Aluplast 4000, stainless steel effect, left
27.820.281	Schüco CT 70, Rehau Brillant, Aluplast 4000, stainless steel effect, right

■ **N. B.**

- Gealan, Salamander, Thyssen on request
- 150 mm offset version on request
- security catch version on request

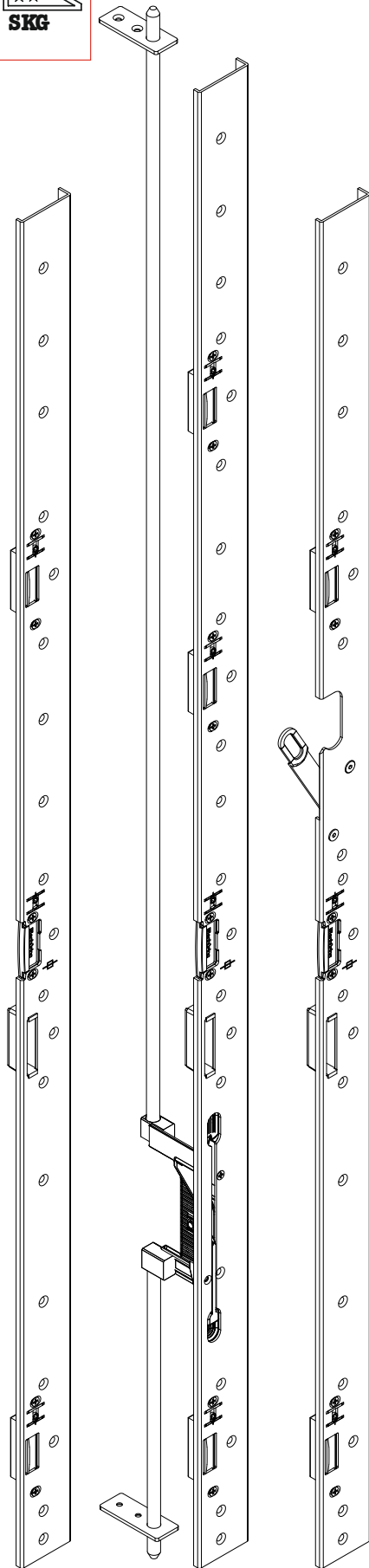
Delivery time approx. 6 weeks

- Old stock in white/black available.

- 2A
- 2B
- 2C
- 2D
- 2E
- 2F
- 3

* on request.

Veka see page 2-B-0305.



The special ZV-Security keep

can be easily installed, or retrofitted at a later date. The dead bolt housing and latch are adjustable, as with single keeps. The routing for the bolt slots assures an exact match and is compatible with the Schüring jig system (single profiles).

The sec. keep can be fitted with the adjustable wintec® electric door release. Locking pins ensure an exact positioning in the profile.

Length: 2.300 mm

■ Boxed qty: 5 pieces

Veka Softline, Veka Topline, SKG

27.700.13	stainless steel effect, left
27.700.23	stainless steel effect, right
27.620.113	one piece keep for casement, stainless steel effect, left
27.620.213	one piece keep for casement, stainless steel effect, right
28.801.13	stainless steel effect, triple, 150 mm offset, length 2.400 mm, left
28.801.23	stainless steel effect, triple, 150 mm offset, length 2.400 mm, right
27.720.113	one piece keep for casement, stainless steel effect, 150 mm offset, left
27.720.213	one piece keep for casement, stainless steel effect, 150 mm offset, right
27.700.171	stainless steel effect, double, security catch, length 2.300 mm, left
27.700.281	stainless steel effect, double, security catch, length 2.300 mm, right

2A

2B

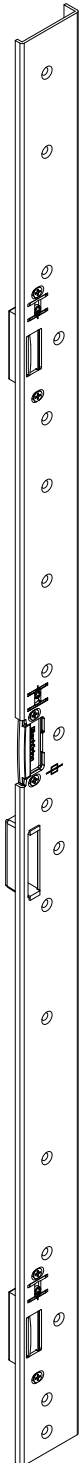
2C

2D

2E

2F

3



The special ZV-Security keep

can be easily installed, or retrofitted at a later date. The dead bolt housing and latch are adjustable, as with single keeps. The routing for the bolt slots assures an exact match and is compatible with the Schüring jig system (single profiles).

The sec. keep can be fitted with the adjustable wintec® electric door release. Locking pins ensure an exact positioning in the profile.

Finish: **Stainless steel effect**

Length: 2.170 mm

■ Boxed qty: 5 pieces

- 27.920.11 Aluplast 4000, Rehau Brillant, Schüco CT 70, stainless steel effect, left
- 27.920.21 Aluplast 4000, Rehau Brillant, Schüco CT 70, stainless steel effect, right

- 27.940.19 Kömmerling Future stainless steel effect, left
- 27.940.29 Kömmerling Future stainless steel effect, right
- 27.921.19 Kömmerling Future stainless steel effect, left, 150 mm offset
- 27.921.29 Kömmerling Future stainless steel effect, right, 150 mm offset

- 27.920.110 Kömmerling Future stainless steel effect, security catch, left
- 27.920.210 Kömmerling Future stainless steel effect, security catch, right

- 27.920.111 Kömmerling Future stainless steel effect, fourfold, left
- 27.920.211 Kömmerling Future stainless steel effect, fourfold, right

- 27.900.19 Salamander 2D, 3D, Streamline stainless steel effect, left
- 27.900.29 Salamander 2D, 3D, Streamline stainless steel effect, right
- 17.900.19 Salamander 2D, 3D, Streamline white, left
- 17.900.29 Salamander 2D, 3D, Streamline white, right

■ **N. B.**

- Gealan, Thyssen, KBE on request
- 150 mm offset version on request
- security catch version on request
- Delivery time approx. 6 weeks
- Old stock in white/black available.

2A

2B

2C

2D

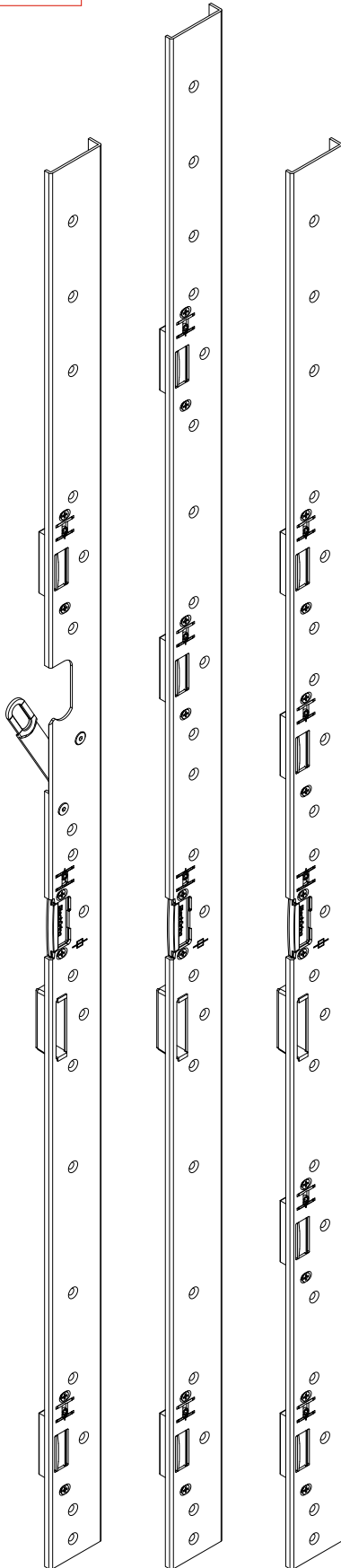
2E

2F

3

* on request.

Veka see page 2-B-0370.



The special ZV-Security keep

can be easily installed, or retrofitted at a later date. The dead bolt housing and latch are adjustable, as with single keeps. The routing for the bolt slots assures an exact match and is compatible with the Schüring jig system (single profiles).

The sec. keep can be fitted with the adjustable wintec® electric door release. Locking pins ensure an exact positioning in the profile.

■ Boxed qty: 5 pieces

Veka Softline, Veka Topline, SKG

27.610.13	stainless steel effect, length 2.300 mm, axis 13,1 mm, left
27.610.23	stainless steel effect, length 2.300 mm, axis 13,1 mm, right
27.610.113	one piece keep for casement, stainless steel effect, 2.300 mm, left
27.610.213	one piece keep for casement, stainless steel effect, 2.300 mm, right
27.701.13	stainless steel effect, triple, 150 mm offset, length 2.400 mm, left
27.701.23	stainless steel effect, triple, 150 mm offset, length 2.400 mm, right
27.610.1132	one piece keep for casement, stainless steel effect, triple, 150 mm offset, left
27.610.2132	one piece keep for casement, stainless steel effect, triple, 150 mm offset, right
27.600.1111	stainless steel effect, fourfold, length 2.300 mm, axis 13,1 mm, left
27.600.2111	stainless steel effect, fourfold, length 2.300 mm, axis 13,1 mm, right
27.610.171	stainless steel effect, double, security catch, length 2.300 mm, axis 13,1 mm, left*
27.610.281	stainless steel effect, double, security catch, length 2.300 mm, axis 13,1 mm, right*
27.610.1131	one piece keep for casement, stainless steel effect, double, security catch, left
27.610.2131	one piece keep for casement, stainless steel effect, double, security catch, right
17.600.131	white, fourfold, security catch, length 2.300 mm, axis 13,1 mm, left*
17.600.141	white, fourfold, security catch, length 2.300 mm, axis 13,1 mm, right*

2A

2B

2C

2D

2E

2F

3

* on request.



The special ZV-keep

can be easily installed, or retrofitted at a later date. The dead bolt housing and latch are adjustable, as with single keeps. The routing for the bolt slots assures an exact match and is compatible with the Schüring jig system (single profiles).

The keep can be fitted with the adjustable electric door release. Locking pins ensure an exact positioning in the profile.

■ Boxed qty: 5 pieces

Heroal, SKG

17.580.31	length 1.810 mm, stainless steel, left
17.580.32	length 1.810 mm, stainless steel, right
17.590.55	one piece keep for casement, length 1.810 mm, stainless steel, left
17.590.56	one piece keep for casement, length 1.810 mm, stainless steel, right
17.580.33	length 1.810 mm, security catch, stainless steel, left
17.580.34	length 1.810 mm, security catch, stainless steel, right
17.590.57	one piece keep for casement, length 1.810 mm, security catch, stainless steel, left
17.590.58	one piece keep for casement, length 1.810 mm, security catch, stainless steel, right
17.580.37	length 1.660 mm, 150 mm offset, stainless steel, left
17.580.38	length 1.660 mm, 150 mm offset, stainless steel, right
17.590.59	one piece keep for casement, length 1.660 mm, 150 mm offset, stainless steel, left
17.590.60	one piece keep for casement, length 1.660 mm, 150 mm offset, stainless steel, right
17.580.35	4-fach, length 1.810 mm, stainless steel, left
17.580.36	4-fach, length 1.810 mm, stainless steel, right
17.590.70	Extension 785 mm
27.024.40	Square bolt 40 backset for one piece keep
27.031.00	Push bolt rod 2.250 mm, 10 mm



2A

2B

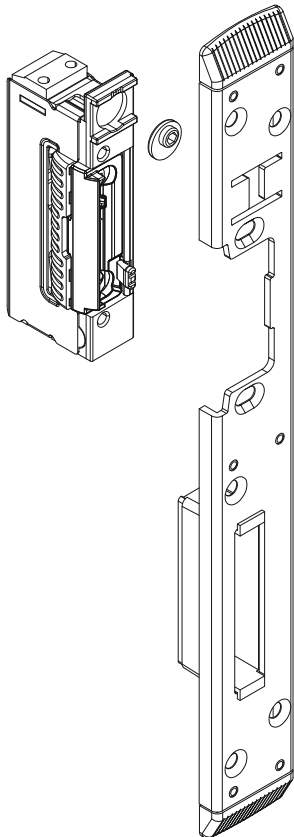
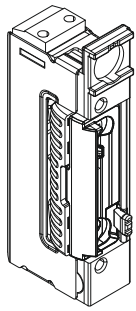
2C

2D

2E

2F

3



Electric door release wintec®,

6–12 volts, concealed and with 5 mm adjustability. The infinite adjustment is carried out via the eccentric bolt $\pm 1,5$ mm (3 mm) or via the circular shaped inward swivelling radial latch from ± 1 mm (2 mm).

Width: 17,5 mm
Length: 78,1 mm
Depth: 31,5 mm
■ Boxed qty.: 1 piece

9 mm and 10 mm axis

12.340.03 with day release, right
12.340.04 with day release, left
12.391.08 latch plate, separate

13 mm axis

12.340.01 with day release, right
12.340.02 with day release, left
12.391.07 latch plate, separate

- Electric door releases with other voltages are available on request.
- In order to avoid damage and complaints please follow the instructions carefully.



2A

2B

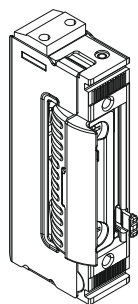
2C

2D

2E

2F

3



Electric Door Release AK,
6-12 volts, concealed, with radius latch.
Range of adjustment +/- 1 mm.

Width: 17,5 mm
Length: 75 mm
Depth: 31,5 mm
■ Boxed qty.: 1 piece

For PVC doors

12.333.01 with day release, screw level 7 mm, left/right

For alu doors

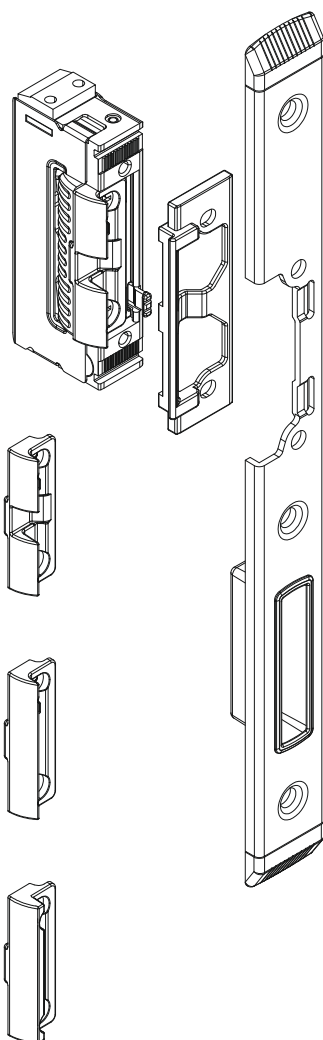
12.333.02 with day release, screw level 7 mm, is prepared for the latch slide, left/right
12.333.03 with day release, screw level 9 mm, left/right
12.333.04 with day release, screw level 9 mm, is prepared for the latch slide, left/right

Latch slide for inward opening doors

12.391.01 Heroal 065, nickel-plated
12.391.02 Schüco Royal S65, nickel-plated
12.391.03 Hueck 1.0, stainless steel*

Single components

12.391.04 latch part for latch slide, 14 mm, for increased contact pressure
12.391.05 latch part for latch slide 0,75 mm
12.391.06 latch part for latch slide 1,50 mm



Schüring PLUS

2A

2B

2C

2D

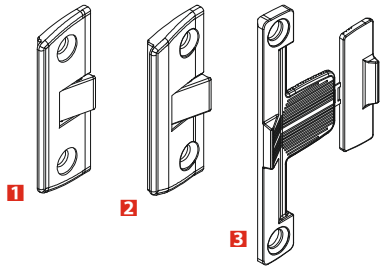
2E

2F

3

* on request.

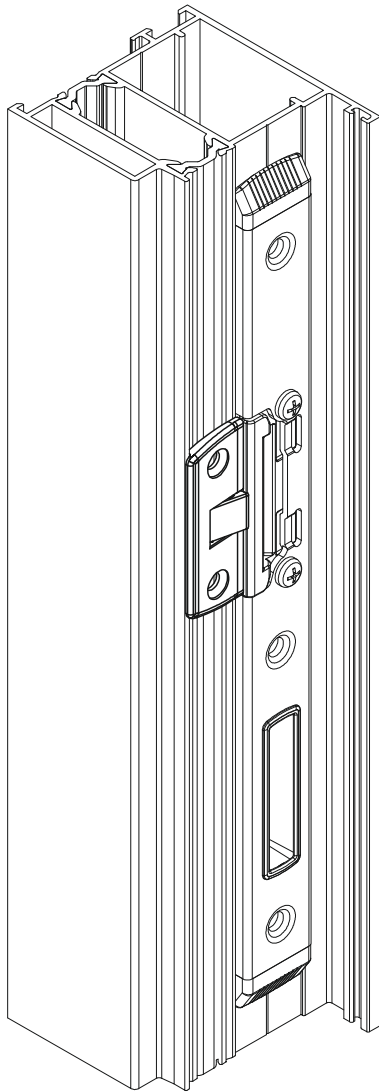
Accessories for outward opening doors see page 2-B-0420.



Accessories

■ Boxed qty: 1 piece

- 12.391.21 **1** latch slide Heroal 065, black, PVC*
- 12.391.22 **2** latch slide Schüco Royal S65, black, PVC*
- 12.391.23 **3** latch slide Hueck 1.0, Wicona Wicstyle 65/7, black, PVC*



2A

2B

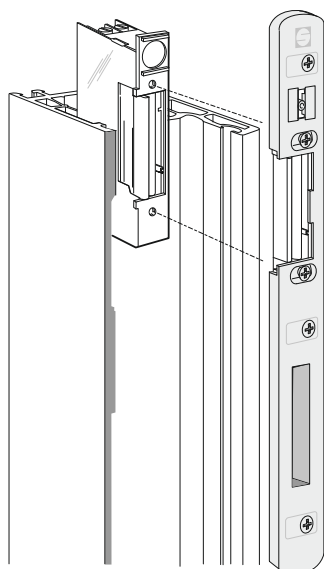
2C

2D

2E

2F

3



Electric door release SV,

concealed and infinitely adjustable. To be used with the newly developed Schüring locks.

The eccentric bolt allows for adjustment of the latch (range: 3 mm). The latch swivels inwards, 6-12 volts (AC/DC). Latch: 2,6 mm.

Width: 15,5 mm

Length: 75,5 mm

Depth: 30,7 mm

■ Boxed qty.: 1 piece

9 mm dimension between axes

12.311.12	normal, left
12.311.11	normal, right
12.312.10	with day release, left
12.312.11	with day release, right

10 mm dimension between axis

12.311.03	normal, left
12.311.04	normal, right
12.312.14	with day release, left
12.312.15	with day release, right

10 mm dimension between axis

12.311.00	normal, left
12.311.01	normal, right
12.312.00	with day release, left
12.312.01	with day release, right

- Electric door releases with other voltages are available on request.
- To avoid damage and complaints please follow the instructions carefully.

2A

2B

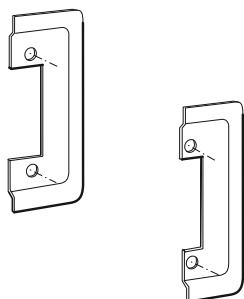
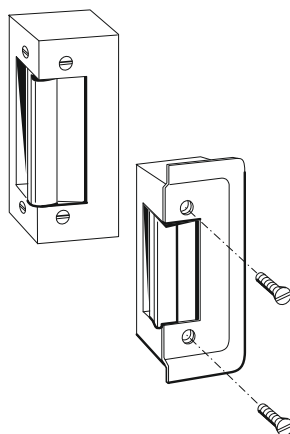
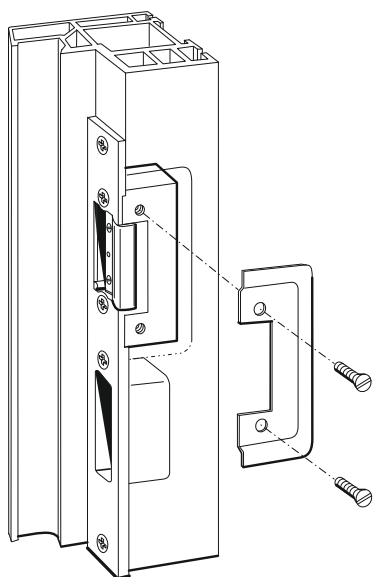
2C

2D

2E

2F

3



MTC electric door release,

adjustable, to be used with the special Schüring keep, 5 - 8 volts, AC/DC, 3 mm latch depth. Overlapping cover in 3 different designs.

Width: 21 mm
 Length: 75 mm
 Depth: 28 mm
 ■ Boxed qty.: 1 piece

Stainless steel, flush

- 12.701.00 normal
- 12.702.00 with day release
- 12.705.00 with catch
- 12.706.00 with catch and day release

Stainless steel, overlapping

- 12.701.01 normal
- 12.702.01 with day release
- 12.705.01 with catch
- 12.706.01 with catch and day release

White, overlapping

- 12.701.02 normal
- 12.702.02 with day release
- 12.705.02 with catch
- 12.706.02 with catch and day release

Brown, overlapping

- 12.701.03 normal
- 12.702.03 with day release
- 12.705.03 with catch
- 12.706.03 with catch and day release

- Electric door released with wider latch parts (5 + 7 mm) are available on request
- Electric door releases with other voltages are available on request.
- To avoid damage and complaints please follow the instructions carefully.

2A

2B

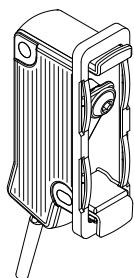
2C

2D

2E

2F

3



Lock switch contact

for monitoring the locking actuation of doors.
The lock switch contact is installed into the keep so as to be actuated by the locking bolt.

Width: 19 mm
Length: 68 mm
Depth: 28 mm
Operating voltage: 25 V AC/DC
Elec. current: 1,5 A
Protection rating: IP 54
Actuating distance: 4 mm
Max. bolt travel: 15 mm

**Lock switch contact
4 metre connecting cable**

260138

Lock switch contact,

for monitoring the locking actuation of doors.
The lock switch contact is clipped into the F/R - keeps series 16.9.

Width: 17 mm
Length: 61 mm
Depth: 31 mm
Operating voltage: 30 V DC
Elec. current: 1,0 A
Protection rating IP 57
Actuating distance: 4 mm
Max. bolt travel: 15 mm

**Lock switch contact
6 metre connecting cable**

12.333.90 VDS -tested, class C

2A

2B

2C

2D

2E

2F

3

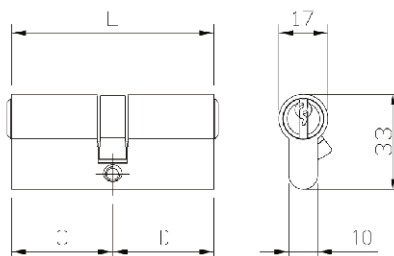


Double profile cylinder F5

- Material: brass, nickel plated, matt
 - 5-pin tumblers; keyed differently*
 - Cam position 30°
 - 3 Keys
 - Fixing screw 65 mm
 - Emergency and danger function: without
 - Certified according to EN 1303 – 16000C40
- Boxed qty.: 10 pieces

Double profile cylinder F5

	L	C / D	30/30 extended cylinder standard
23.310.01	L= 56mm	28/28	-2/-2
23.310.02	L= 61mm	28/33	-2/3
23.310.03	L= 60mm	30/30	0/0
23.310.04	L= 65mm	30/35	0/5
23.310.05	L= 70mm	30/40	0/10
23.310.06	L= 70mm	35/35	5/5
23.310.07	L= 75mm	30/45	0/15
23.310.08	L= 75mm	35/40	5/10
23.310.09	L= 80mm	30/50	0/20
23.310.10	L= 80mm	35/45	5/15
23.310.11	L= 80mm	40/40	10/10
23.310.12	L= 85mm	30/55	0/25
23.310.13	L= 85mm	35/50	5/20
23.310.14	L= 85mm	40/45	10/15
23.310.15	L= 90mm	30/60	0/30
23.310.16	L= 90mm	40/50	10/20
23.310.17	L= 90mm	45/45	15/15
23.310.18	L= 95mm	30/65	0/35
23.310.19	L= 95mm	40/55	10/25
23.310.20	L= 95mm	45/50	15/20
23.310.21	L=100mm	30/70	0/40
23.310.22	L=100mm	35/65	5/35
23.310.23	L=100mm	40/60	10/30
23.310.24	L=100mm	45/55	15/25
23.310.25	L=100mm	50/50	20/20
23.310.26	L=105mm	30/75	0/45
23.310.27	L=105mm	50/55	20/25
23.310.28	L=110mm	30/80	0/50
23.310.29	L=110mm	50/60	20/30
23.310.30	L=120mm	65/55	35/25



2A

2B

2C

2D

2E

2F

3

*on request keyed alike.

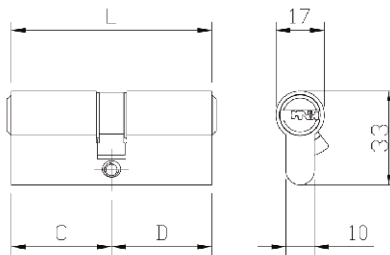
Profile cylinder R6

Reversible key system

Door-Technology

2-B-0540

1



Double profile cylinder R6

- Material: brass, nickel plated, matt
- 6-pin tumblers; keyed differently*
- Cam position 30°
- Anti drill protection in cylinder body
- 3 Keys
- Fixing screw 80 mm
- Emergency and danger function: without
- Certified according to EN 1303 – 16010C62

■ Boxed qty.: 10 pieces

Double profile cylinder R6

	L	C / D	30/30 extended cylinder standard
23.410.01	L= 56mm	28/28	-2/-2
23.410.02	L= 61mm	28/33	-2/3
23.410.03	L= 60mm	30/30	0/0
23.410.04	L= 65mm	30/35	0/5
23.410.05	L= 70mm	30/40	0/10
23.410.06	L= 70mm	35/35	5/5
23.410.07	L= 75mm	30/45	0/15
23.410.08	L= 75mm	35/40	5/10
23.410.09	L= 80mm	30/50	0/20
23.410.10	L= 80mm	35/45	5/15
23.410.11	L= 80mm	40/40	10/10
23.410.12	L= 85mm	30/55	0/25
23.410.13	L= 85mm	35/50	5/20
23.410.14	L= 85mm	40/45	10/15
23.410.15	L= 90mm	30/60	0/30
23.410.16	L= 90mm	40/50	10/20
23.410.17	L= 90mm	45/45	15/15
23.410.18	L= 95mm	30/65	0/35
23.410.19	L= 95mm	40/55	10/25
23.410.20	L= 95mm	45/50	15/20
23.410.21	L=100mm	30/70	0/40
23.410.22	L=100mm	35/65	5/35
23.410.23	L=100mm	40/60	10/30
23.410.24	L=100mm	45/55	15/25
23.410.25	L=100mm	50/50	20/20
23.410.26	L=105mm	30/75	0/45
23.410.27	L=105mm	50/55	20/25
23.410.28	L=110mm	30/80	0/50
23.410.29	L=110mm	50/60	20/30
23.410.30	L=120mm	65/55	35/25

2A

2B

2C

2D

2E

2F

3

*on request keyed alike.

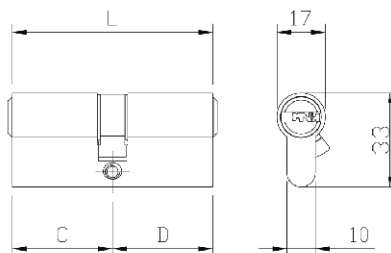
Profile cylinder R6 G

Reversible key system with emergency and danger function

Door-Technology

2-B-0550

1



Double profile cylinder R6 G

- Material: brass, nickel plated, matt
 - 6-pin tumblers; keyed differently*
 - Cam position 30°
 - Anti drill protection in cylinder body
 - 3 Keys
 - Fixing screw 80 mm
 - With emergency and danger function
 - Certified according to EN 1303 – 16010C62
- Boxed qty.: 10 pieces

Double profile cylinder R6 G

	L	C / D	30/30 extended cylinder standard
23.420.03	L= 60mm	30/30	0/0
23.420.04	L= 65mm	30/35	0/5
23.420.05	L= 70mm	30/40	0/10
23.420.06	L= 70mm	35/35	5/5
23.420.07	L= 75mm	30/45	0/15
23.420.08	L= 75mm	35/40	5/10
23.420.09	L= 80mm	30/50	0/20
23.420.10	L= 80mm	35/45	5/15
23.420.11	L= 80mm	40/40	10/10
23.420.12	L= 85mm	30/55	0/25
23.420.13	L= 85mm	35/50	5/20
23.420.14	L= 85mm	40/45	10/15
23.420.15	L= 90mm	30/60	0/30
23.420.16	L= 90mm	40/50	10/20
23.420.17	L= 90mm	45/45	15/15
23.420.18	L= 95mm	30/65	0/35
23.420.19	L= 95mm	40/55	10/25
23.420.20	L= 95mm	45/50	15/20
23.420.20	L=100mm	30/70	0/40
23.420.22	L=100mm	40/60	10/30
23.420.29	L=100mm	45/55	15/25
23.420.23	L=100mm	50/50	20/20
23.420.24	L=105mm	30/75	0/45
23.420.26	L=110mm	30/80	0/50
23.420.27	L=110mm	50/60	20/30

2A

2B

2C

2D

2E

2F

3

*on request keyed alike.

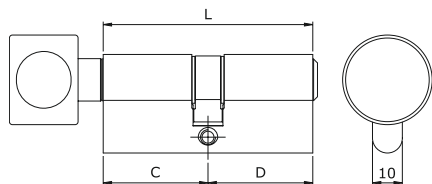
Profile cylinder R6

Reversible key system with thumbturn

Door-Technology

2-B-0555

1



Euro Profile thumbturn cylinder R6

- Material: brass, nickel plated, matt
- 6-pin tumblers; keyed differently*
- Cam position 30°
- Anti drill protection in cylinder body
- 3 Keys
- Fixing screw 80 mm
- Certified according to EN 1303 – 16010C62
- Boxed qty.: 10 pieces

Euro Profile thumbturn cylinder R6

	L	C / D	30/30 extended cylinder standard
23.440.01	L=56mm	K28/28	K-2/-2
23.440.02	L=60mm	K30/30	K0/0
23.440.03	L=61mm	K28/33	K-2/3
23.440.04	L=65mm	K30/35	K0/5
23.440.05	L=70mm	K30/40	K0/10
23.440.06	L=70mm	K35/35	K5/5
23.440.07	L=75mm	K30/45	K0/15
23.440.08	L=75mm	K35/40	K5/10
23.440.09	L=80mm	K30/50	K0/20
23.440.10	L=80mm	K35/45	K0/20
23.440.11	L=80mm	K40/40	K10/10
23.440.12	L=85mm	K30/55	K0/25
23.440.13	L=85mm	K35/50	K5/20
23.440.14	L=85mm	K40/45	K10/15
23.440.15	L=90mm	K30/60	K0/30
23.440.16	L=90mm	K35/55	K5/25
23.440.17	L=90mm	K40/50	K10/20
23.440.18	L=90mm	K45/45	K15/15
23.440.19	L=95mm	K30/65	K0/35
23.440.20	L=95mm	K35/60	K5/30
23.440.21	L=95mm	K40/55	K10/25
23.440.22	L=95mm	K45/50	K15/20
23.440.23	L=100mm	K30/70	K0/40
23.440.24	L=100mm	K35/65	K5/35
23.440.25	L=100mm	K40/60	K10/30
23.440.26	L=100mm	K45/55	K15/25
23.440.27	L=100mm	K50/50	K20/20
23.440.28	L=105mm	K30/75	K0/45
23.440.29	L=105mm	K35/70	K5/40
23.440.30	L=105mm	K40/65	K10/35
23.440.31	L=105mm	K45/60	K15/30
23.440.32	L=105mm	K50/55	K20/25
23.440.33	L=110mm	K30/80	K0/50
23.440.34	L=110mm	K35/75	K5/45
23.440.35	L=110mm	K40/70	K10/40
23.440.36	L=110mm	K45/65	K15/35
23.440.37	L=110mm	K50/60	K20/30
23.440.38	L=110mm	K55/55	K25/25
23.440.39	L=115mm	K30/85	K0/55
23.440.40	L=115mm	K35/80	K5/50
23.440.41	L=115mm	K40/75	K10/45
23.440.42	L=115mm	K45/70	K15/40
23.440.43	L=115mm	K50/65	K20/35
23.440.44	L=115mm	K55/60	K25/30
23.440.45	L=120mm	K30/90	K0/60
23.440.46	L=120mm	K35/85	K5/55
23.440.47	L=120mm	K40/80	K10/50
23.440.48	L=120mm	K50/70	K20/40
23.440.49	L=120mm	K55/65	K25/35

2A

2B

2C

2D

2E

2F

3

*on request keyed alike.

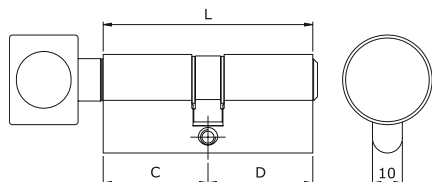
Profile cylinder R6

Reversible key system with thumbturn

Door-Technology

2-B-0556

1



Euro Profile thumbturn cylinder R6

- Material: brass, nickel plated, matt
- 6-pin tumblers; keyed differently*
- Cam position 30°
- Anti drill protection in cylinder body
- 3 Keys
- Fixing screw 80 mm
- Certified according to EN 1303 – 16010C62
- Boxed qty: 10 pieces

Euro Profile thumbturn cylinder R6

	L	C / D	30/30 extended cylinder standard
23.440.50	L=120mm	K60/60	K30/30
23.440.51	L=125mm	K35/90	K35/60
23.440.52	L=125mm	K40/85	K10/55
23.440.53	L=125mm	K45/80	K15/50
23.440.54	L=125mm	K50/75	K20/45
23.440.55	L=125mm	K55/70	K25/40
23.440.56	L=125mm	K60/65	K30/35
23.440.57	L=130mm	K40/90	K10/60
23.440.58	L=130mm	K45/85	K15/55
23.440.59	L=130mm	K50/80	K20/50
23.440.60	L=130mm	K55/75	K25/45
23.440.61	L=130mm	K60/70	K30/40

2A

2B

2C

2D

2E

2F

3

*on request keyed alike.

Window fittings

1

Door fittings	Electronic and mechanical residential door locks, anti-panic locks, double-casement fittings, special fittings	2A
	Keeps, special keeps, electric release, profile cylinders	2B
	Handle-sets, pull handles and accessories	2C
	Door hinges, sills, door closer and accessory	2D
	Tilt and slide fitting, folding door fittings, slide fitting	2E
	In planning	2F

Accessories and consumable items

3

Door handles



- **FlexDesign**
- **CoverLine**
- **MTS, CP, FT, CL**
- **Stainless steel handles and pull handles**
- **Accessories**

2A

2B

2C

2D

2E

2F

3

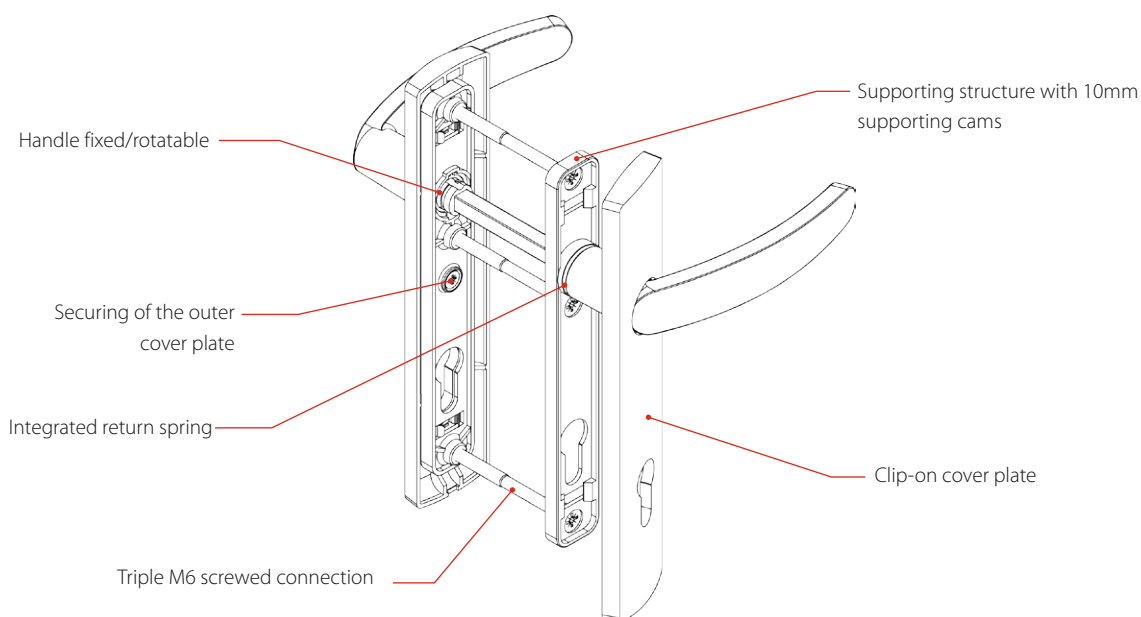
Technical characteristics

The FlexDesign sets are made of aluminium or die-cast metal and have a plate width of either 35 or 45mm.

The handles are mounted on a die-cast supporting structure with 10mm supporting cams, have an integrated return spring and are completed with the clippable FlexDesign cover plates. The triple M6 screwed connection is adapted to the lock dimension and is concealed both from the inside and the outside. The sets can be mounted on the left or on the right. The outer plates are securely fixed in place using a concealed screw. The outside handles are screwed onto solid plates. The mounting sets comprising three M6 screws and a 8mm square box spanner are to be ordered separately.

You can achieve a perfect positioning and functioning of the set with the Schüring set drilling jig, page 2-A-0840.

The FlexDesign sets have been tested to with at least 200,000 test cycles in user category 4 (object fittings) on the basis of DIN EN 1906.



2A

2B

2C

2D

2E

2F

Surfaces

The surfaces are available in the powder-coated RAL colour shades, standard white RAL 9016, brown similar to RAL 8019 and cream RAL 9001 or the high quality metallic anodized colours EV1 and Inoxal, a stainless steel look.



White



Brown



EV1



Inoxal



Creamy white

3

FlexDesign variants

The FlexDesign sets are available in three different handle and plate versions, it being possible to combine them according to requirements.



FlexDesign Classic-Art

The classic-modern handle range in a timelessly beautiful elegance with a convex handle and plate.



FlexDesign Colorplus

The ergonomic, attractive handle range with a round handle and plate.



FlexDesign Object

The multifunctional handle range with a clear design, a L-shaped handle and a square plate.



- Materials: aluminium, die-cast metal
- Handle fixed/rotatable with return spring
- Clippable cover plate on a die-cast supporting structure securely screwed on from the outside
- Concealed continuous M6 screwed connection on both sides, triple
- Supporting structure with 10mm supporting cams
- Can be mounted on the left or on the right
- The outer handles are screwed onto solid plates
- Mounting sets comprising three M6 screws and a 8mm square screw are to be ordered separately

Width: **35 mm**
 Length: 228 mm
 Thickness: 10 mm
 Distance: 92 mm
 Square end: 8 mm
 Screw connections: **triple**
 Boxed qty.: 1 piece



Door handle set - handle inside / handle outside

Door handle set inside + outside		One-side handle inside	One-side handle outside
21.824.101	EV1	21.822.101	21.822.201
21.824.108	Inoxal	21.822.108	21.822.208
21.824.102	brown	21.822.102	21.822.202
21.824.103	white	21.822.103	21.822.203



Door handle set - handle inside / pad outside

Door handle set inside + outside		One-side handle inside	One-side pad outside
21.824.901	EV1	21.822.101	21.822.901
21.824.908	Inoxal	21.822.108	21.822.908
21.824.902	brown	21.822.102	21.822.902
21.824.903	white	21.822.103	21.822.903

2A

2B

2C

2D

2E

2F

3



- Materials: aluminium, die-cast metal
- Handle fixed/rotatable with return spring
- Clippable cover plate on a die-cast supporting structure securely screwed on from the outside
- Concealed continuous M6 screwed connection on both sides, triple
- Supporting structure with 10mm supporting cams
- Can be mounted on the left or on the right
- The outer handles are screwed onto solid plates
- Mounting sets comprising three M6 screws and a 8mm square screw are to be ordered separately

Width: **45 mm**
 Length: 228 mm
 Thickness: 10 mm
 Distance: 92 mm
 Square end: 8 mm
 Screw connections: **triple**
 Boxed qty.: 1 piece



Door handle set - handle inside / handle outside

Door handle set inside + outside		One-side handle inside	One-side handle outside
21.825.101	EV1	21.823.101	21.823.201
21.825.108	Inoxal	21.823.108	21.823.208
21.825.102	brown	21.823.102	21.823.202
21.825.103	white	21.823.103	21.823.203



Door handle set - handle inside / pad outside

Door handle set inside + outside		One-side handle inside	One-side pad outside
21.825.901	EV1	21.823.101	21.823.901
21.825.908	Inoxal	21.823.108	21.823.908
21.825.902	brown	21.823.102	21.823.902
21.825.903	white	21.823.103	21.823.903

2A

2B

2C

2D

2E

2F

3



- Materials: aluminium, die-cast metal
- Handle fixed/rotatable with return spring
- Clippable cover plate on a die-cast supporting structure securely screwed on from the outside
- Concealed continuous M6 screwed connection on both sides, triple
- Supporting structure with 10mm supporting cams
- Can be mounted on the left or on the right
- The outer handles are screwed onto solid plates
- Mounting sets comprising three M6 screws and a 8mm square screw are to be ordered separately

Width: **35 mm**
 Length: 228 mm
 Thickness: 10 mm
 Distance: 92 mm
 Square end: 8 mm
 Screw connections: **triple**
 Boxed qty.: 1 piece



Door handle set - handle inside / handle outside

Door handle set inside + outside		One-side handle inside	One-side handle outside
21.814.108	Inoxal	21.812.108	21.812.208
21.814.102	brown	21.812.102	21.812.202
21.814.103	white	21.812.103	21.812.203

- One-side handle outside available in a SKG-certified version upon request.



Door handle set - handle inside / handle for shutters outside

Door handle set inside + outside		One-side handle inside	One-side handle for shutters outside
21.814.308	Inoxal	21.812.108	21.172.218
21.814.302	brown	21.812.102	21.172.21
21.814.303	white	21.812.103	21.172.31

- Overall height of the handle for shutters outside 25 mm



Door handle set - handle inside / pad outside

Door handle set inside + outside		One-side handle inside	One-side pad outside
21.814.408	Inoxal	21.812.108	21.178.84
21.814.402	brown	21.812.102	21.178.24
21.814.403	white	21.812.103	21.178.34

- One-side handle outside available in a SKG-certified version upon request..

2A

2B

2C

2D

2E

2F

3



- Materials: aluminium, die-cast metal
- Handle fixed/rotatable with return spring
- Clippable cover plate on a die-cast supporting structure securely screwed on from the outside
- Concealed continuous M6 screwed connection on both sides, triple
- Supporting structure with 10mm supporting cams
- Can be mounted on the left or on the right
- The outer handles are screwed onto solid plates
- Mounting sets comprising three M6 screws and a 8mm square screw are to be ordered separately

Width: **35 mm**
 Length: 228 mm
 Thickness: 10 mm
 Distance: 92 mm
 Square end: 8 mm
 Screw connections: **triple**
 Boxed qty.: 1 piece

Door handle set - handle inside / circular pull handle outside

Door handle set inside + outside		One-side handle inside	One-side circular pull handle outside
21.814.508	Inoxal	21.812.108	21.174.308
21.814.502	brown	21.812.102	21.174.20
21.814.503	white	21.812.103	21.174.30

- One-side handle outside available in a SKG-certified version upon request.

2A

2B

2C

2D

2E

2F

3



- Materials: aluminium, die-cast metal
- Handle fixed/rotatable with return spring
- Clippable cover plate on a die-cast supporting structure securely screwed on from the outside
- Concealed continuous M6 screwed connection on both sides, triple
- Supporting structure with 10mm supporting cams
- Can be mounted on the left or on the right
- The outer handles are screwed onto solid plates
- Mounting sets comprising three M6 screws and a 8mm square screw are to be ordered separately

Width: **45 mm**
 Length: 228 mm
 Thickness: 10 mm
 Distance: 92 mm
 Square end: 8 mm
 Screw connections: **triple**
 Boxed qty.: 1 piece



Door handle set - handle inside / handle outside

Door handle set inside + outside		One-side handle inside	One-side handle outside
21.815.108	Inoxal	21.813.108	21.813.208
21.815.102	brown	21.813.102	21.813.202
21.815.103	white	21.813.103	21.813.203



Door handle set - handle inside / handle for shutters outside

Door handle set inside + outside		One-side handle inside	One-side handle for shutters outside
21.815.308	Inoxal	21.813.108	21.171.810
21.815.302	brown	21.813.102	21.171.21
21.815.303	white	21.813.103	21.171.31

- Overall height of the handle for shutters outside 25 mm



Door handle set - handle inside / pad outside

Door handle set inside + outside		One-side handle inside	One-side pad outside
21.815.408	Inoxal	21.813.108	21.177.84
21.815.402	brown	21.813.102	21.177.24
21.815.403	white	21.813.103	21.177.34

2A

2B

2C

2D

2E

2F

3



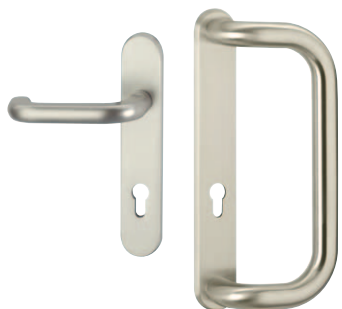
- Materials: aluminium, die-cast metal
- Handle fixed/rotatable with return spring
- Clippable cover plate on a die-cast supporting structure securely screwed on from the outside
- Concealed continuous M6 screwed connection on both sides, triple
- Supporting structure with 10mm supporting cams
- Can be mounted on the left or on the right
- The outer handles are screwed onto solid plates
- Mounting sets comprising three M6 screws and a 8mm square screw are to be ordered separately

Width: **45 mm**
 Length: 228 mm
 Thickness: 10 mm
 Distance: 92 mm
 Square end: 8 mm
 Screw connections: **triple**
 Boxed qty.: 1 piece



Door handle set - handle inside / circular pull handle outside

Door handle set inside + outside		One-side handle inside	One-side circular pull handle outside
21.815.508	Inoxal	21.813.108	21.173.308
21.815.502	brown	21.813.102	21.173.20
21.815.503	white	21.813.103	21.173.30



Door handle set - handle inside / pull handle outside

Door handle set inside + outside		One-side handle inside	One-side pull handle outside
21.815.608	Inoxal	21.813.108	21.177.86
21.815.602	brown	21.813.102	21.177.26
21.815.603	white	21.813.103	21.177.36



Door handle set - pull handle both sides

Door handle set inside + outside		One-side pull handle inside	One-side pull handle outside
21.673.328	Inoxal	21.177.865	21.177.86
21.673.22	brown	21.177.265	21.177.26
21.673.32	white	21.177.365	21.177.36

■ Overall length of the long plate: 308mm

2A

2B

2C

2D

2E

2F

3



- Materials: aluminium, die-cast metal
- Handle fixed/rotatable with return spring
- Clippable cover plate on a die-cast supporting structure securely screwed on from the outside
- Concealed continuous M6 screwed connection on both sides, triple
- Supporting structure with 10mm supporting cams
- Can be mounted on the left or on the right
- The outer handles are screwed onto solid plates
- Mounting sets comprising three M6 screws and a 8mm square screw are to be ordered separately

Width: **45 mm**
 Length: 228 mm
 Thickness: 10 mm
 Distance: 92 mm
 Square end: 8 mm
 Screw connections: **triple**
 Boxed qty.: 1 piece

Door handle set - handle inside / v-shaped pull handle outside

Door handle set inside + outside		One-side handle inside	One-side v-shaped pull handle outside
21.815.708	Inoxal	21.813.108	21.177.87
21.815.702	brown	21.813.102	21.177.27
21.815.703	white	21.813.103	21.177.37

Door handle set - v-shaped pull handle both sides

Door handle set inside + outside		One-side v-shaped pull handle inside	One-side v-shaped pull handle outside
21.673.358	Inoxal	21.177.875	21.177.87
21.673.25	brown	21.177.275	21.177.27
21.673.35	white	21.177.375	21.177.37

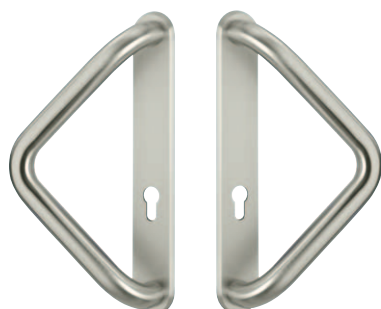
Door handle set - handle inside / bow pull handle outside

Door handle set inside + outside		One-side handle inside	One-side bow pull handle outside
21.815.808	Inoxal	21.813.108	21.177.88
21.815.802	brown	21.813.102	21.177.28
21.815.803	white	21.813.103	21.177.38

Door handle set - bow pull handle both sides

Door handle set inside + outside		One-side bow pull handle inside	One-side bow pull handle outside
21.673.338	Inoxal	21.177.885	21.177.88
21.673.23	brown	21.177.285	21.177.28
21.673.33	white	21.177.385	21.177.38

■ Overall length of the long plate: 308mm



2A

2B

2C

2D

2E

2F

3



- Materials: aluminium, die-cast metal
- Handle fixed/rotatable with return spring
- Clippable cover plate on a die-cast supporting structure securely screwed on from the outside
- Concealed continuous M6 screwed connection on both sides, triple
- Supporting structure with 10mm supporting cams
- Can be mounted on the left or on the right
- The outer handles are screwed onto solid plates
- Mounting sets comprising three M6 screws and a 8mm square screw are to be ordered separately

Width: **45 mm**
 Length: 228 mm
 Thickness: 10 mm
 Distance: 92 mm
 Square end: 8 mm
 Screw connections: **triple**
 Boxed qty: 1 piece



- One-side with PZ-protective rosette available upon request.

2A

2B

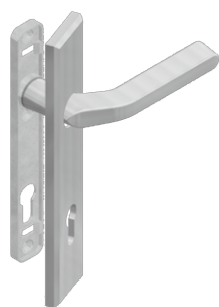
2C

2D

2E

2F

3



- Materials: aluminium, die-cast metal
- Handle fixed/rotatable with return spring
- Clippable cover plate on a die-cast supporting structure securely screwed on from the outside
- Concealed continuous M6 screwed connection on both sides, triple
- Supporting structure with 10mm supporting cams
- Can be mounted on the left or on the right
- The outer handles are screwed onto solid plates
- Mounting sets comprising three M6 screws and a 8mm square screw are to be ordered separately

Width: **35 mm**
 Length: 228 mm
 Thickness: 10 mm
 Distance: 92 mm
 Square end: 8 mm
 Screw connections: **triple**
 Boxed qty.: 1 piece



Door handle set - handle inside / handle outside

Door handle set inside + outside		One-side handle inside	One-side handle outside
21.834.101	EV1	21.832.101	21.832.201
21.834.102	brown	21.832.102	21.832.202
21.834.103	white	21.832.103	21.832.203



Door handle set - handle inside / handle for shutters outside

Door handle set inside + outside		One-side handle inside	One-side handle for shutters outside
21.834.301	EV1	21.832.101	28.102.11
21.834.302	brown	21.832.102	28.102.21
21.834.303	white	21.832.103	28.102.31

- Overall height of the handle for shutters outside 25 mm



Door handle set - handle inside / pad outside

Door handle set inside + outside		One-side handle inside	One-side pad outside
21.834.401	EV1	21.832.101	28.104.10
21.834.402	brown	21.832.102	28.104.20
21.834.403	white	21.832.103	28.104.30

2A

2B

2C

2D

2E

2F

3

4



- Materials: aluminium, die-cast metal
- Handle fixed/rotatable with return spring
- Clippable cover plate on a die-cast supporting structure securely screwed on from the outside
- Concealed continuous M6 screwed connection on both sides, triple
- Supporting structure with 10mm supporting cams
- Can be mounted on the left or on the right
- The outer handles are screwed onto solid plates
- Mounting sets comprising three M6 screws and a 8mm square screw are to be ordered separately

Width: **35 mm**
 Length: 228 mm
 Thickness: 10 mm
 Distance: 92 mm
 Square end: 8 mm
 Screw connections: **triple**
 Boxed qty.: 1 piece



Door handle set - handle inside / circular pull handle outside

Door handle set inside + outside		One-side handle inside	One-side circular pull handle outside
21.834.501	EV1	21.832.101	28.110.10
21.834.502	brown	21.832.102	28.110.20
21.834.503	white	21.832.103	28.110.30



- Special handling object rotatable or fixed as required with a handle plate or button.

2A

2B

2C

2D

2E

2F

3



- Materials: aluminium, die-cast metal
- Handle fixed/rotatable with return spring
- Clippable cover plate on a die-cast supporting structure securely screwed on from the outside
- Concealed continuous M6 screwed connection on both sides, triple
- Supporting structure with 10mm supporting cams
- Can be mounted on the left or on the right
- The outer handles are screwed onto solid plates
- Mounting sets comprising three M6 screws and a 8mm square screw are to be ordered separately

Width: **45 mm**
 Length: 228 mm
 Thickness: 10 mm
 Distance: 92 mm
 Square end: 8 mm
 Screw connections: **triple**
 Boxed qty.: 1 piece



Door handle set - handle inside / handle outside

Door handle set inside + outside		One-side handle inside	One-side handle outside
21.835.101	EV1	21.833.101	21.833.201
21.835.102	brown	21.833.102	21.833.202
21.835.103	white	21.833.103	21.833.203



Door handle set - handle inside / handle for shutters outside

Door handle set inside + outside		One-side handle inside	One-side handle for shutters outside
21.835.301	EV1	21.833.101	28.101.11
21.835.302	brown	21.833.102	28.101.21
21.835.303	white	21.833.103	28.101.31

- Overall height of the handle for shutters outside 25 mm



Door handle set - handle inside / pad outside

Door handle set inside + outside		One-side handle inside	One-side pad outside
21.835.401	EV1	21.833.101	28.103.10
21.835.402	brown	21.833.102	28.103.20
21.835.403	white	21.833.103	28.103.30

2A

2B

2C

2D

2E

2F

3



- Materials: aluminium, die-cast metal
- Handle fixed/rotatable with return spring
- Clippable cover plate on a die-cast supporting structure securely screwed on from the outside
- Concealed continuous M6 screwed connection on both sides, triple
- Supporting structure with 10mm supporting cams
- Can be mounted on the left or on the right
- The outer handles are screwed onto solid plates
- Mounting sets comprising three M6 screws and a 8mm square screw are to be ordered separately

Width: **45 mm**
 Length: 228 mm
 Thickness: 10 mm
 Distance: 92 mm
 Square end: 8 mm
 Screw connections: **triple**
 Boxed qty: 1 piece

Door handle set - handle inside / circular pull handle outside



Door handle set inside + outside		One-side handle inside	One-side circular pull handle outside
21.835.501	EV1	21.833.101	28.109.10
21.835.502	brown	21.833.102	28.109.20
21.835.503	white	21.833.103	28.109.30



- One-side with PZ-protective rosette available upon request.

2A

2B

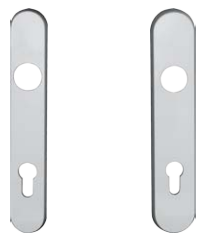
2C

2D

2E

2F

3



- Materials: aluminium, die-cast metal
- Handle mounted on a cast long plate so that it is "firmly rotatable"
- Triple screwed connection adapted to the lock dimensions and concealed from the inside and the outside
- Integrated return spring
- Outer plate 45mm can be adjusted to create a security set (security set page 2-C-1520)

- Can be mounted on the left and on the right

Width: **35 and 45 mm**
 Length: 228 mm
 Thickness: 10 mm
 Distance: 92 mm
 Square end: 8 mm
 Screw connections: **triple**
 Boxed qty.: 1 piece

CP-interior spring handle with base plate

21.811.101	EV1
21.811.102	brown-metallic
21.811.103	white
21.811.108	Inoxal
21.811.109	creamy white 9001

CP-exterior spring handle with base plate

21.811.201	EV1
21.811.202	brown-metallic
21.811.203	white
21.811.208	Inoxal
21.811.209	creamy white 9001

CP-cover plate PZ, 35 mm

21.810.201	EV1
21.810.202	brown-metallic
21.810.203	white
21.810.208	Inoxal
21.810.209	creamy white 9001

CP-cover plate PZ, 45 mm

21.810.301	EV1
21.810.302	brown-metallic
21.810.303	white
21.810.308	Inoxal
21.810.309	creamy white 9001

12.400.115 Safety screw for cover plate, exterior

■ Ordering example handle set

handle inside / handle outside

- 1x handle inside
- 1x handle outside
- 2x cover plate
- 1x securing screw

The Colorplus, Classic-Art and Object series can be combined as required.

2A

2B

2C

2D

2E

2F

3



- Materials: aluminium, die-cast metal
- Handle mounted on a cast long plate so that it is "firmly rotatable"
- Triple screwed connection adapted to the lock dimensions and concealed from the inside and the outside
- Integrated return spring
- Outer plate 45mm can be adjusted to create a security set (security set page 2-C-1520)

- Can be mounted on the left and on the right

Width: **35 and 45 mm**
 Length: 228 mm
 Thickness: 10 mm
 Distance: 92 mm
 Square end: 8 mm
 Screw connections: **triple**
 Boxed qty.: 1 piece

Classic-Art-interior spring handle with base plate

21.821.101	EV1
21.821.102	brown-metallic
21.821.103	white
21.821.108	Inoxal
21.821.109	creamy white 9001

Classic-Art-exterior spring handle with base plate

21.821.201	EV1
21.821.202	brown-metallic
21.821.203	white
21.821.208	Inoxal
21.821.209	creamy white 9001

Classic-Art-cover plate PZ, 35 mm

21.820.201	EV1
21.820.202	brown-metallic
21.820.203	white
21.820.208	Inoxal
21.820.209	creamy white 9001

Classic-Art-cover plate PZ, 45 mm

21.820.301	EV1
21.820.302	brown-metallic
21.820.303	white
21.820.308	Inoxal
21.820.309	creamy white 9001

12.400.115 Safety screw for cover plate, exterior

■ **Ordering example handle set**

handle inside / handle outside

- 1x handle inside
- 1x handle outside
- 2x cover plate
- 1x securing screw

The Colorplus, Classic-Art and Object series can be combined as required.

2A

2B

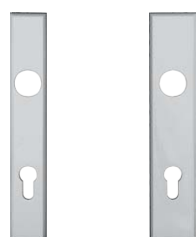
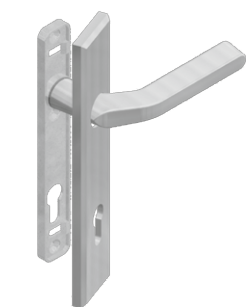
2C

2D

2E

2F

3



- Materials: aluminium, die-cast metal
- Handle mounted on a cast long plate so that it is "firmly rotatable"
- Triple screwed connection adapted to the lock dimensions and concealed from the inside and the outside
- Integrated return spring
- Outer plate 45mm can be adjusted to create a security set (security set page 2-C-1520)

- Can be mounted on the left and on the right

Width: **35 and 45 mm**
 Length: 228 mm
 Thickness: 10 mm
 Distance: 92 mm
 Square end: 8 mm
 Screw connections: **triple**
 Boxed qty: 1 piece

Object-interior spring handle with base plate

21.831.101	EV1
21.831.102	brown-metallic
21.831.103	white
21.831.108	Inoxal

Object-exterior spring handle with base plate

21.831.201	EV1
21.831.202	brown-metallic
21.831.203	white
21.831.208	Inoxal

Object-cover plate PZ, 35 mm

21.830.201	EV1
21.830.202	brown-metallic
21.830.203	white
21.830.208	Inoxal

Object-cover plate PZ, 45 mm

21.830.301	EV1
21.830.302	brown-metallic
21.830.303	white
21.830.308	Inoxal

12.400.115 Safety screw for cover plate, exterior

■ Ordering example handle set

handle inside / handle outside

- 1x handle inside
- 1x handle outside
- 2x cover plate
- 1x securing screw

The Colorplus, Classic-Art and Object series can be combined as required.

2A

2B

2C

2D

2E

2F

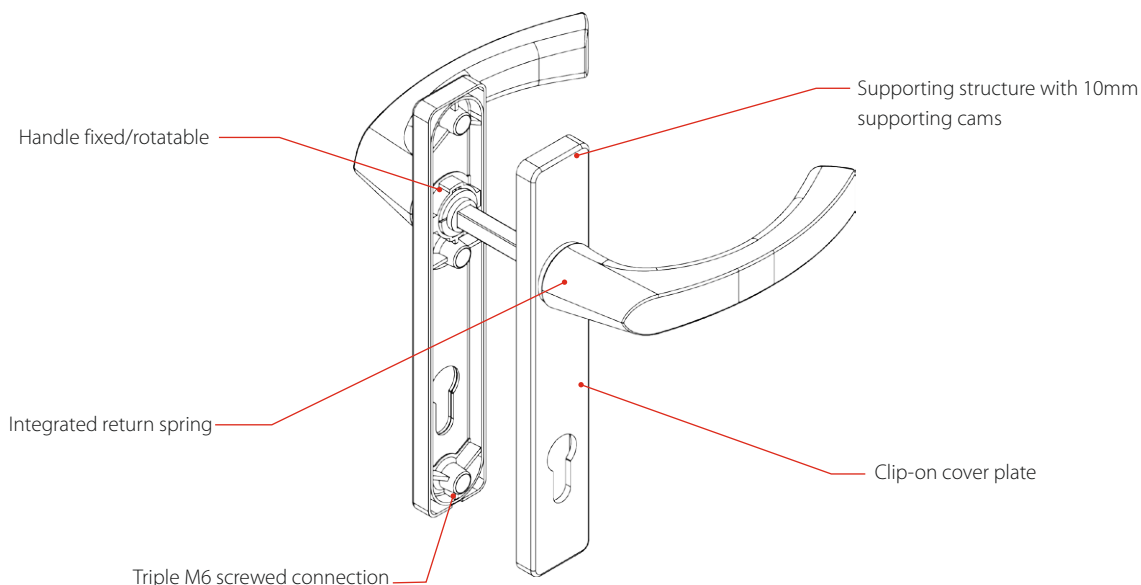
3

Technical characteristics

The Coverline sets are made of aluminium and die-cast metal and have a plate width of 35mm. The handles are mounted in a fixed/rotatable manner on a die-cast supporting structure with 10mm supporting cams, have an integrated return spring and are completed with the clippable FlexDesign cover plates. The triple screwed M6 connection matches the lock dimensions and is concealed from the inside and the outside. The sets can be used on the left and the right. The mounting sets comprising three M6 screws and a 8mm square box spanner are to be ordered separately.

The Colorplus sets for aluminium doors are made of aluminium and have a plate width of 35mm. The handles are mounted in a fixed/rotatable manner on an aluminium plate and have an integrated return spring. The triple screwed M6 connection matches the lock dimensions and is concealed from outside. The sets can be used on the left and the right. The mounting sets comprising three M6 screws and a 8mm square box spanner are to be ordered separately.

You can achieve a technically perfect positioning and functioning of the opener set with the Schüring set drilling jig, page 2-A-0840.



2A

2B

2C

2D

2E

2F

3

Surfaces

The surfaces are available in the powder-coated RAL colour shades, standard white RAL 9016, brown similar to RAL 8019 or the high quality metallic anodized colours EV1 and Inoxal, a stainless steel look.



White



Brown



EV1



Inoxal



Coverline

The modern handles series with a clear design, curved handles and a square plate.



CP Aluminium

The ergonomic, attractive handles series with a round cranked handle and a round plate.

- Materials: aluminium, die-cast metal
- Handle fixed/rotatable with return spring
- Concealed continuous M6 screwed connection on both sides, triple
- Can be mounted on the left and on the right
- Mounting sets comprising three M6 screws and a 8mm square screw are to be ordered separately

Width: **35 mm**
 Length: 210 mm
 Thickness: 10 mm
 Distance: 92 mm
 Square end: 8 mm
 Screw connections: **triple**
 Boxed qty.: 1 piece



Door handle set - handle inside / handle outside

Door handle set inside + outside		One-side handle inside	One-side handle outside
28.640.10	EV1	28.040.01	28.140.01
28.640.20	brown	28.040.02	28.140.02
28.640.30	white	28.040.03	28.140.03
28.640.40	Inoxal	28.040.04	28.140.04



Door handle set - handle inside / handle for shutters outside

Door handle set inside + outside		One-side handle inside	One-side handle for shutters outside
28.640.11	EV1	28.040.01	28.140.11
28.640.21	brown	28.040.02	28.140.21
28.640.31	white	28.040.03	28.140.31
28.64.041	Inoxal	28.040.04	28.140.41



Door handle set - handle inside / pad outside

Door handle set inside + outside		One-side handle inside	One-side pad outside
28.640.15	EV1	28.040.01	28.145.01
28.640.25	brown	28.040.02	28.145.02
28.640.35	white	28.040.03	28.145.03
28.640.45	Inoxal	28.040.04	28.145.04

Utility model protection
 PATENT pending



- 2A
- 2B
- 2C
- 2D
- 2E
- 2F
- 3

Colorplus Handle Sets for Aluminium Doors

cranked, with an integrated return spring

Door-Technology

2-C-1220

1

- Materials: aluminium, stainless steel
- Handle mounted on a long plate so that it is „firmly rotatable“
- Triple screwed connection adapted to the lock dimensions and concealed from outside
- Can be used on the left and on the right
- Integrated concealed return mechanism that always returns the opener to a horizontal position
- Its ergonomic form makes it excellently suitable for use on both plastic and aluminium doors

Width: **35 mm**
 Length: 218 mm
 Thickness: 10 mm
 Distance: 92 mm
 Square end: 8 mm
 Screw connections: **triple**
 Boxed qty.: 1 piece



Door handle set - handle inside / handle outside

Door handle set inside + outside		One-side handle inside	One-side handle outside
21.626.10	EV1	21.026.10	21.126.10
21.626.20	braun, metallic	21.026.20	21.126.20
21.626.30	white RAL 9016	21.026.30	21.126.30
21.626.90	Edelstahl	21.026.90	21.126.90

2A

2B

2C

2D

2E

2F

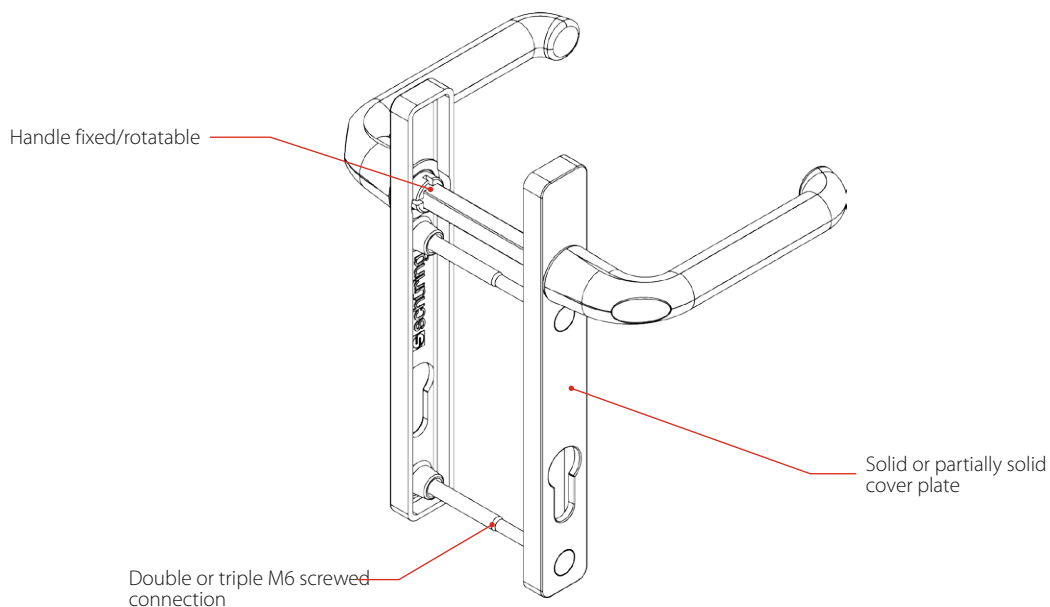
3

Technical characteristics

The standard MTS, CP, FT and CL sets are made of aluminium and have a plate width of either 25 or 33mm.

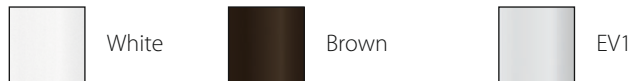
The openers are mounted on aluminium plates so that they are firm/rotatable. The sets can be used on the left and the right. The mounting sets comprising three M6 screws and a 8mm square screw are to be ordered separately.

You can achieve a technically perfect positioning and functioning of the opener set with the Schüring set drilling jig, page 2-A-0840.



Surfaces

The surfaces are available in the powder-coated RAL colour shades standard white RAL 9016, brown similar to RAL 8019 or the metallic anodized colour EV1.



Versions

The standard sets are available in four different models.



MTS

25 mm - double screwed connection
33 mm - triple screwed connection



CP

25 mm - triple screwed connection



FT

25 mm - triple screwed connection



CL

25 mm - double screwed connection
33 mm - triple screwed connection

2A

2B

2C

2D

2E

2F

3

- Material: aluminium
- Handle mounted on a long plate so that it is „firmly rotatable“
- Double screwed connection adapted to the lock dimensions and concealed from the outside
- Can be mounted on the left and on the right

Width: **25 mm**
 Length: 195 mm
 Thickness: 10 mm
 Distance: 92 mm
 Square end: 8 mm
 Screw connections: **double**
 Boxed qty.: 5 pieces



Door handle set - handle inside / handle outside

Door handle set inside + outside		One-side handle inside	One-side handle outside
21.651.10	EV1	21.051.10	21.151.10
21.651.20	brown	21.051.20	21.151.20
21.651.30	white	21.051.30	21.151.30



Door handle set - handle inside / handle for shutters outside

Door handle set inside + outside		One-side handle inside	One-side handle for shutters outside
21.651.11	EV1	21.051.10	21.151.11
21.651.21	brown	21.051.20	21.151.21
21.651.31	white	21.051.30	21.151.31

- Overall height of the handle for shutters outside 25 mm



Door handle set - handle inside / pad outside

Door handle set inside + outside		One-side handle inside	One-side pad outside
21.651.15	EV1	21.051.10	21.151.15
21.651.25	brown	21.051.20	21.151.25
21.651.35	white	21.051.30	21.151.35

Bearing capsule for the handle set

15.000.00 25 mm

Utility model protection
 PATENT pending




2A

2B

2C

2D

2E

2F

3

- Material: aluminium
- Handle mounted on a long plate so that it is „firmly rotatable“
- Triple screwed connection adapted to the lock dimensions and concealed from outside
- Can be mounted on the left and on the right

Width: **33 mm**
 Length: 210 mm
 Thickness: 10 mm
 Distance: 92 mm
 Square end: 8 mm
 Screw connections: **triple**
 Boxed qty.: 5 pieces



Door handle set - handle inside / handle outside

Door handle set inside + outside		One-side handle inside	One-side handle outside
21.623.10	EV1	21.023.10	21.123.01
21.623.20	brown	21.023.20	21.123.02
21.623.30	white	21.023.30	21.123.03



Door handle set - handle inside / handle for shutters outside

Door handle set inside + outside		One-side handle inside	One-side handle for shutters outside
21.623.11	EV1	21.023.10	21.123.11
21.623.21	brown	21.023.20	21.123.21
21.623.31	white	21.023.30	21.123.31

- Overall height of the handle for shutters outside 25 mm



Door handle set - handle inside / pad outside

Door handle set inside + outside		One-side handle inside	One-side pad outside
21.623.15	EV1	21.023.10	21.123.15
21.623.25	brown	21.023.20	21.123.25
21.623.35	white	21.023.30	21.123.35

2A

2B

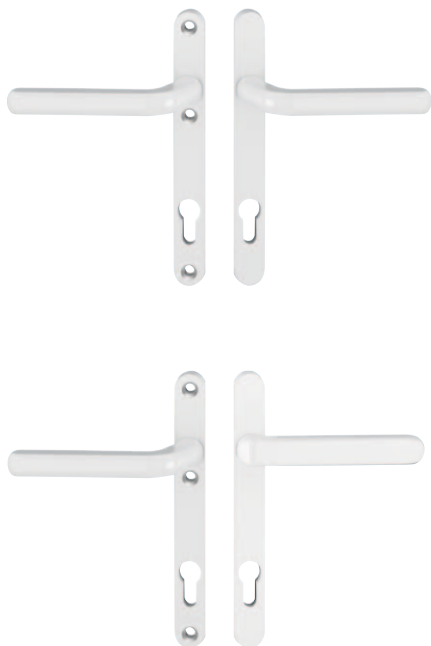
2C

2D

2E

2F

3



- Material: aluminium
- Handle mounted on a cast long plate so that it is „firm/rotatable“
- Triple screwed connection adapted to the lock dimensions and concealed from outside
- Coloured screw colour
- Bearing is prepared for the receiving of the Schüring bearing capsule for a precise guiding and in order to compensate for tolerances
- Can be mounted on the left and on the right

Width: **25 mm**
 Length: 208 mm
 Thickness: 10 mm
 Distance: 92 mm
 Square end: 8 mm
 Screw connections: **triple**
 Boxed qty.: 1 piece

Door handle set - handle inside / handle outside

Door handle set inside + outside		One-side handle inside	One-side handle outside
21.670.30	white	21.070.30	21.170.30
21.670.20	brown	21.070.20	21.170.20
	Inoxal	21.070.308	21.170.308

Door handle set - handle inside / handle for shutters outside

Door handle set inside + outside		One-side handle inside	One-side handle for shutters outside
21.670.31	white	21.070.30	21.170.31
21.670.21	brown	21.070.20	21.170.21
	Inoxal	21.070.308	21.170.318

- Overall height of the handle for shutters outside 25 mm

Bearing capsule for the handle set

15.000.00 25 mm

Utility model protection
 PATENT pending.





- Material: aluminium
- Handle mounted on a cast long plate so that it is „firm/rotatable“
- Triple screwed connection adapted to the lock dimensions and concealed from outside
- Coloured screw colour
- Bearing is prepared for the receiving of the Schüring bearing capsule for a precise guiding and in order to compensate for tolerances

- Can be mounted on the left and on the right

Width: **25 mm**
 Length: 208 mm
 Thickness: 10 mm
 Distance: 92 mm
 Square end: 8 mm
 Screw connections: **triple**
 Boxed qty: 1 piece

Door handle set - handle inside / pad outside

Door handle set inside + outside		One-side handle inside	One-side pad outside
21.670.35	white	21.070.30	21.170.36 pad
			21.170.35 long plate
			43.016.01 screw
21.670.25	brown	21.070.20	21.170.26 pad
			21.170.25 long plate
			43.016.01 screw
	Inoxal	21.070.308	21.170.368 pad
			21.170.358 long plate
			43.016.01 screw

Door handle set - handle inside / pad for shutters outside

Door handle set inside + outside		One-side handle inside	One-side pad for shutters outside
21.670.32	white	21.070.30	21.170.37 pad
			21.170.35 long plate
			43.016.01 screw
21.670.22	brown	21.070.20	21.170.27 pad
			21.170.25 long plate
			43.016.01 screw
	Inoxal	21.070.308	21.170.378 pad
			21.170.358 long plate
			43.016.01 screw

- Overall height of the handle for shutters outside 25 mm

Bearing capsule for the handle set

15.000.00 25 mm

Utility model protection
 PATENT pending.




2A

2B

2C

2D

2E

2F

3

- Material: aluminium
- Handle mounted on a long plate so that it is „firmly rotatable“
- Triple screwed connection adapted to the lock dimensions and concealed from outside

Width: **25 mm**
 Length: 205 mm
 Thickness: 10 mm
 Distance: 92 mm
 Square end: 8 mm
 Screw connections: **triple**
 Boxed qty: 1 piece



Door handle set - handle inside / handle outside

Door handle set inside + outside		One-side handle inside	One-side handle outside
15.621.01	EV1	15.021.01	15.121.01
15.621.02	brown	15.021.02	15.121.02
15.621.03	white	15.021.03	15.121.03



Door handle set - handle inside / handle for shutters outside

Door handle set inside + outside		One-side handle inside	One-side handle for shutters outside
15.621.11	EV1	15.021.01	15.121.11
15.621.12	brown	15.021.02	15.121.12
15.621.13	white	15.021.03	15.121.13

- Overall height of the handle for shutters outside 25 mm




Door handle set - handle inside / pad outside

Door handle set inside + outside		One-side handle inside	One-side pad outside	
15.622.01	EV1	15.021.01	15.122.11	pad
			15.122.01	long plate
			43.016.01	screw
15.622.02	brown	15.021.02	15.122.12	pad
			15.122.02	long plate
			43.016.01	screw
15.622.03	white	15.021.03	15.122.13	pad
			15.122.03	long plate
			43.016.01	screw

Bearing capsule for the handle set

15.000.00	25 mm
-----------	-------

Utility model protection
 PATENT pending.




2A

2B

2C

2D

2E

2F

3



- Material: aluminium
 - Handle mounted on a long plate so that it is „firmly rotatable“
 - Double screwed connection adapted to the lock dimensions and concealed from the outside
 - Bearing is prepared for the receiving of the Schüring bearing capsule for a precise guiding and in order to compensate for tolerances
 - Can be mounted on the left and on the right
- Width: **25 mm**
 Length: 195 mm
 Thickness: 10 mm
 Distance: 92 mm
 Square end: 8 mm
 Screw connections: **double**
 Boxed qty: 1 piece

Door handle set - handle inside / handle outside

Door handle set inside + outside		One-side handle inside	One-side handle outside
28.620.10	EV1	28.020.01	28.120.01
28.620.20	brown	28.020.02	28.120.02
28.620.30	white	28.020.03	28.120.03

Door handle set - handle inside / handle for shutters outside

Door handle set inside + outside		One-side handle inside	One-side handle for shutters outside
28.620.11	EV1	28.020.01	28.120.11
28.620.21	brown	28.020.02	28.120.21
28.620.31	white	28.020.03	28.120.31

- Overall height of the handle for shutters outside 25 mm


Door handle set - handle inside / pad outside

Door handle set inside + outside		One-side handle inside	One-side pad outside
28.620.15	EV1	28.020.01	28.125.01
28.620.25	brown	28.020.02	28.125.02
28.620.35	white	28.020.03	28.125.03

Bearing capsule for the handle set

15.000.00	25 mm
-----------	-------

Utility model protection
PATENT pending...




2A

2B

2C

2D

2E

2F

3

- Material: aluminium
- Handle mounted on a long plate so that it is „firmly rotatable“
- Triple screwed connection adapted to the lock dimensions and concealed from outside
- Can be mounted on the left and on the right

Width: **33 mm**
 Length: 210 mm
 Thickness: 10 mm
 Distance: 92 mm
 Square end: 8 mm
 Screw connections: **triple**
 Boxed qty: 1 piece



Door handle set - handle inside / handle outside

Door handle set inside + outside		One-side handle inside	One-side handle outside
28.630.10	EV1	28.030.01	28.130.01
28.630.20	brown	28.030.02	28.130.02
28.630.30	white	28.030.03	28.130.03



Door handle set - handle inside / handle for shutters outside

Door handle set inside + outside		One-side handle inside	One-side handle for shutters outside
28.630.11	EV1	28.030.01	28.130.11
28.630.21	brown	28.030.02	28.130.21
28.630.31	white	28.030.03	28.130.31

- Overall height of the handle for shutters outside 25 mm



Door handle set - handle inside / pad outside

Door handle set inside + outside		One-side handle inside	One-side pad outside
28.630.15	EV1	28.030.01	28.135.01
28.630.25	brown	28.030.02	28.135.02
28.630.35	white	28.030.03	28.135.03

2A

2B

2C

2D

2E

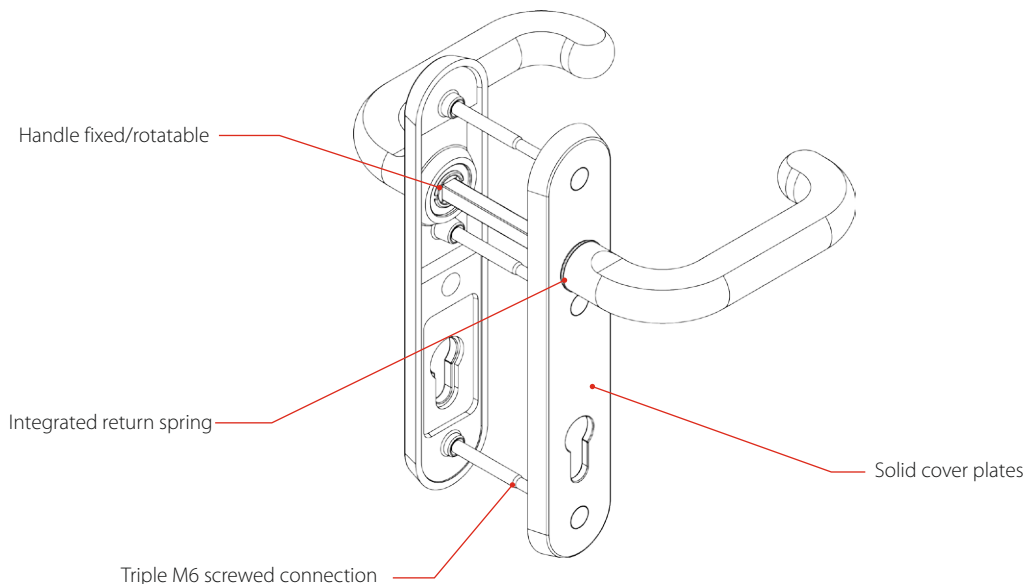
2F

3

Technical characteristics

The Colorplus sets are made of stainless steel and have a plate width of 45mm. The openers are mounted on a stainless steel plate so that they are fixed/rotatable and they have an integrated return spring. The triple screwed M6 connection matches the lock dimensions and is concealed from the outside. The sets can be used on the left and the right. The mounting sets comprising three M6 screws and a 8mm square screw are to be ordered separately.

You can achieve a technically perfect positioning and functioning of the opener set with the Schüring set drilling jig, page 2-A-0840.



All of the stainless steel handles and pull handles are made of high quality stainless steel and have a corresponding matt brushing..

2A

2B

2C

2D

2E

2F

3

- Material: Stainless steel
- Handle fixed/rotatable with return spring
- Concealed on one side, continual screwed M6 connection, triple
- Can be mounted on the left and on the right
- The outer handles are screwed onto solid plates
- Mounting sets comprising three M6 screws and a 8mm square screw are to be ordered separately

Width: **35 mm**
 Length: 228 mm
 Thickness: 10 mm
 Distance: 92 mm
 Square end: 8 mm
 Screw connections: **triple**
 Boxed qty: 1 piece



Door handle set - handle inside / handle outside

Door handle set inside + outside		One-side handle inside	One-side handle outside
21.672.92	stainless steel	21.072.92	21.172.92



Door handle set - handle inside / pad outside

Door handle set inside + outside		One-side handle inside	One-side pad outside
21.672.95	stainless steel	21.072.92	21.172.95



Door handle set - handle inside / circular pull handle outside

Door handle set inside + outside		One-side handle inside	One-side circular pull handle outside
21.674.92	stainless steel	21.072.92	21.174.92

2A

2B

2C

2D

2E

2F

3

- Material: Stainless steel
- Handle fixed/rotatable with return spring
- Concealed on one side, continual screwed M6 connection, triple
- Can be mounted on the left and on the right
- The outer handles are screwed onto solid plates
- Mounting sets comprising three M6 screws and a 8mm square screw are to be ordered separately

Width: **45 mm**
 Length: 228 mm
 Thickness: 10 mm
 Distance: 92 mm
 Square end: 8 mm
 Screw connections: **triple**
 Boxed qty: 1 piece



Door handle set - handle inside / handle outside

Door handle set inside + outside		One-side handle inside	One-side lever outside
21.671.92	stainless steel	21.071.92	21.171.92



Door handle set - handle inside / pad outside

Door handle set inside + outside		One-side handle inside	One-side pad outside
21.671.95	stainless steel	21.071.92	21.171.95



Door handle set - handle inside / circular pull handle outside

Door handle set inside + outside		One-side handle inside	One-side circular pull handle outside
21.673.92	stainless steel	21.071.92	21.173.92

2A

2B

2C

2D

2E

2F

3

- Material: Stainless steel
- Handle fixed/rotatable with return spring
- Concealed on one side, continual screwed M6 connection, triple
- Can be mounted on the left and on the right
- The outer handles are screwed onto solid plates
- Mounting sets comprising three M6 screws and a 8mm square screw are to be ordered separately

Width: **45 mm**
 Length: 228 mm
 Thickness: 10 mm
 Distance: 92 mm
 Square end: 8 mm
 Screw connections: **triple**
 Boxed qty: 1 piece



Door handle set - handle inside / pull handle outside

Door handle set inside + outside		One-side handle inside	One-side pull handle outside
21.673.97	stainless steel	21.071.92	21.177.91



Door handle set - pull handle both sides

Door handle set inside + outside		One-side pull handle inside	One-side pull handle outside
21.673.91	stainless steel	21.177.92	21.177.91



Door handle set - handle inside / v-shaped pull handle outside

Door handle set inside + outside		One-side handle inside	One-side v-shaped pull handle outside
21.673.96	stainless steel	21.071.92	21.177.93



Door handle set - v-shaped pull handle both sides

Door handle set inside + outside		One-side v-shaped pull handle inside	One-side v-shaped pull handle outside
21.673.95	stainless steel	21.177.94	21.177.93

2A

2B

2C

2D

2E

2F

3

- Material: Stainless steel
- Handle fixed/rotatable with return spring
- Concealed on one side, continual screwed M6 connection, triple
- Can be mounted on the left and on the right
- The outer handles are screwed onto solid plates
- Mounting sets comprising three M6 screws and a 8mm square screw are to be ordered separately

Width: **45 mm**
 Length: 228 mm
 Thickness: 10 mm
 Distance: 92 mm
 Square end: 8 mm
 Screw connections: **triple**
 Boxed qty: 1 piece



Door handle set - handle inside / bow pull handle outside

Door handle set inside + outside		One-side handle inside	One-side bow pull handle outside
21.673.94	stainless steel	21.071.92	21.177.95

Door handle set - bow pull handle both sides

Door handle set inside + outside		One-side bow pull handle inside	One-side bow pull handle outside
21.673.93	stainless steel	21.177.96	21.177.95

2A

2B

2C

2D

2E

2F

3



- Material: Stainless steel
- The pull handle is mounted on a long plate
- Triple screwed connection concealed from the outside
- Either locks with a roller latch or an E-opener with a daytime release system is to be used if used on both sides

Width: **45 mm**
 Length: 380 mm
 Thickness: 10 mm
 Distance: 92 mm
 Square end: 8 mm
 Screw connections: **triple**
 Boxed qty.: 1 piece

Door handle set - handle inside / arched pull handle outside

Door handle set
inside + outside

21.675.90 stainless steel



Door handle set - arched pull handle both sides

Door handle set
inside + outside

21.675.91 stainless steel



Pull handle

- Oval rosette outside
- Stainless steel handle inside

Width: **45 mm**
 Length: 760 mm
 Thickness: 10 mm
 Distance: 92 mm
 Square end: 8 mm
 Ø Grip: 27 mm
 Ø Support diameter: 25 mm
 Screw connections: **triple**
 Boxed qty.: 1 piece

Door handle set - handle inside / pull handle outside

Door handle set
inside + outside

21.676.90 stainless steel

2A

2B

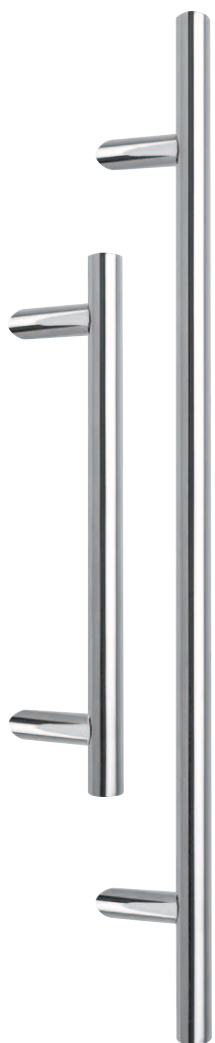
2C

2D

2E

2F

3



- Perfect technique.
- Ergonomic design

Width: **70 mm**
 Depth: 80 mm
 Diameter 30 mm
 Boxed qty.: 2 pieces

Pull handle

	Length	Hole spacing	
21.153.01	300 mm	100 mm	slope supports
21.153.02	330 mm	210 mm	slope supports
21.153.03	350 mm	210 mm	slope supports
21.153.24	400 mm	210 mm	slope supports
21.153.04	400 mm	300 mm	slope supports
21.153.05	500 mm	300 mm	slope supports
21.153.06	600 mm	400 mm	slope supports
21.153.07	800 mm	600 mm	slope supports
21.153.08	1.000 mm	700 mm	slope supports*
21.153.09	1.200 mm	900 mm	slope supports*
21.153.10	1.400 mm	1.200 mm	slope supports*
21.153.11	1.600 mm	1.400 mm	slope supports*
21.153.12	1.800 mm	1.600 mm	slope supports
21.153.13	2.000 mm	1.800 mm	slope supports
21.153.021	330 mm	210 mm	straight supports*
21.153.041	400 mm	300 mm	straight supports*
21.153.061	600 mm	400 mm	straight supports*
21.153.081	1.000 mm	800 mm	straight supports*
21.153.121	1.800 mm	1.600 mm	straight supports*
21.153.131	2.000 mm	1.800 mm	straight supports*

■ All pull handles include an internal adaptor (for installation set 5).

Fixing pack for pull handles

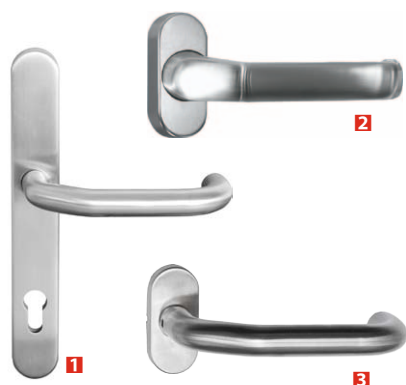
single-sided fixing.		Boxed qty.: 1 Set
21.152.96	fixing pack 1	2 x 48 mm screws
21.152.97	fixing pack 2	1 x 48 mm screw, 1 x 30 mm screw for lock case installations
21.152.95	fixing pack 5	2 screws: 6,3 x45 mm for pull handle 330 mm to 1.200 mm**

Handle inside for pull handles

		Boxed qty.: 1 piece
21.152.50	1 handle inside, cranked, on long plate 35 mm, concealed screws, with return spring, stainless steel	
21.652.90	2 handle inside, cranked, on oval rosette, stainless steel, mit 2 St. KS Dübeln	
21.152.55	3 handle inside, on oval rosette, concealed screws, with return spring, stainless steel	

PC-rosette, stainless steel

		Boxed qty.: 1 piece
21.117.90	PC-rosette, height 6 mm	
21.118.192	PC-rosette, height 9, mm, oval	
23.000.39	PC-security rosette with anti core pulling protection, height 11,5 mm, oval	
21.017.92	PC-rosette inside, round	
21.018.92	PC-rosette outside, round	
23.000.50	PC-security rosette 16 mm with anti core pulling protection, springily	



2A

2B

2C

2D

2E

2F

3



- Stainless steel pull handle made of a round tube, with twilight sensor
- Insulation between the pull handle and the console and between the console and the door
- 5 fitted LEDs for illuminating the door lock
- LEDs illuminate for approx. 20 sec. when the handle is touched
- Energieversorgung 6 Lithium Batterien 3,6 V AA (sind im Lieferumfang erhalten, Lebensdauer ca. 2 Jahre)
- CE certified
- ESD protection
- single-sided fixing

Length: 350 mm
 Drilling distance: 200 mm
 Round tube Ø: 33,7 mm
 Support: 45°
 ■ Boxed qty.: 1 piece

21.153.050	LED-Star, Length 350 mm, drilling distance 200 mm, DIN left
21.153.051	LED-Star, Length 350 mm, drilling distance 200 mm, DIN right
21.152.992	Mounting Torx adapter M8 x 45mm self-cutting (set = 2 pieces)



Handle inside for pull handles

Boxed qty: 1 piece

21.152.50	1 handle inside, cranked, on long plate 35 mm, concealed screws, with return spring, stainless steel
21.652.90	2 handle inside, cranked, on oval rosette, stainless steel, mit 2 St. KS Dübeln
21.152.55	3 handle inside, on oval rosette, concealed screws, with return spring, stainless steel



PC-rosette, stainless steel

Boxed qty: 1 piece

21.117.90	PC-rosette, height 6 mm
21.118.192	PC-rosette, height 9, mm, oval
23.000.39	PC-security rosette with anti core pulling protection, height 11,5 mm, oval
21.017.92	PC-rosette inside, round
21.018.92	PC-rosette outside, round
23.000.50	PC-security rosette 16 mm with anti core pulling protection, springily

2A

2B

2C

2D

2E

2F

3



Sliding escutcheon, single sided		Boxed qty.: 1 piece
23.000.07	EV1	
23.000.08	white	
23.000.09	brown	



Sliding escutcheon, single sided		Boxed qty.: 1 piece
23.000.21	polished brass	
23.000.211	polished brass, PVD*	



Security escutcheon, double sided		Boxed qty.: 1 piece
23.000.11	polished brass	



Cover escutcheon „Ovale“ single sided		Boxed qty.: 1 piece
21.016.100	EV1	
21.016.110	Classic-Art	
21.016.200	brown metallic	
21.016.300	white	
23.000.10	stainless steel	



Cover escutcheon „Rotondo“ inside		Boxed qty.: 1 piece
21.017.11	EV1, Classic-Art	
21.017.20	brown metallic	
21.017.30	white	
21.017.41	polished brass	
21.017.92	stainless steel matt	
21.017.308	Inoxal	



Cover escutcheon „Rotondo“ outside		Boxed qty.: 1 piece
21.018.20	brown metallic	
21.018.30	white	
21.018.92	stainless steel matt	
21.018.308	Inoxal	

2A

2B

2C

2D

2E

2F

3

* on request.

PC Escutcheons, oval

with anti extraction protection

Door-Technology

2-C-1515

1



PC cover escutcheon

Length: 75 mm
 Width: 33 mm
 Height: 11,5 mm
 Boxed qty.: 1 and 10 pieces

23.000.31	EV1
23.000.32	brown
23.000.33	white
23.000.39	stainless steel

PC cover escutcheon

Length: 75 mm
 Width: 33 mm
 Height: 14 mm
 Boxed qty.: 1 and 10 pieces

23.000.41	EV1*
23.000.42	brown*
23.000.43	white*
23.000.49	stainless steel*

2A

2B

2C

2D

2E

2F

3

* on request.

Sets for handle sets Boxed qty.: 1 piece

	Screws	Spindle
43.510.01	3 x 72 mm	90 mm
43.510.02	3 x 72 mm	120 mm
43.510.03	3 x 72 mm	130 mm
43.511.01	3 x 80 mm	90 mm
43.511.02	3 x 80 mm	130 mm
43.512.01	3 x 85 mm	90 mm
43.512.02	3 x 85 mm	130 mm
43.513.01	3 x 90 mm	130 mm
43.513.02	3 x 90 mm	140 mm

Sets for latch/handle sets Boxed qty.: 1 piece

	Screws	Spindle
43.510.04	2 x 72 mm	100 mm
	1 x 90 mm	
43.511.03	2 x 80 mm	110 mm
	1 x 100 mm	
43.512.03	2 x 85 mm	110 mm
	1 x 100 mm	
43.513.03	2 x 90 mm	120 mm
	1 x 110 mm	

Flat screws, single. Boxed qty.: 1 piece

43.030.11	M6 x 30 mm
43.067.11	M6 x 67 mm
43.070.11	M6 x 70 mm
43.072.11	M6 x 72 mm
43.073.11	M6 x 73 mm
43.080.11	M6 x 80 mm
43.085.11	M6 x 85 mm
43.090.11	M6 x 90 mm
43.100.11	M6 x 100 mm
43.110.11	M6 x 110 mm

2A

2B

2C

2D

2E

2F

3

Sets for handle sets Boxed qty.: 1 piece

	stainless steel screw	spindle
43.560.01	3 x 75 mm	90 mm
43.560.02	3 x 75 mm	120 mm
43.560.03	3 x 75 mm	130 mm
43.563.01	3 x 90 mm	130 mm
43.563.02	3 x 90 mm	140 mm

Sets for latch/handle sets Boxed qty.: 1 piece

	stainless steel screw	spindle
43.560.04	2 x 75 mm	100 mm
	1 x 90 mm	

Stainless steel screws, single Boxed qty.: 1 piece

43.030.09	M6 x 30 mm
43.075.09	M6 x 75 mm
43.090.11	M6 x 90 mm

2A

2B

2C

2D

2E

2F

3

Sets for handle sets

■ White, EV1, Alu

Boxed qty.: 1 piece

	n/p screws	spindle
43.520.01	3 x 75 mm	90 mm
43.520.11	2 x 75 mm	90 mm
43.520.02	3 x 75 mm	120 mm
43.520.12	2 x 75 mm	120 mm
43.520.03	3 x 75 mm	130 mm
43.520.13	2 x 75 mm	130 mm
43.521.01	3 x 80 mm	90 mm
43.521.11	2 x 80 mm	90 mm
43.521.02	3 x 80 mm	130 mm
43.521.12	2 x 80 mm	130 mm
43.522.01	3 x 85 mm	90 mm
43.522.11	2 x 85 mm	90 mm
43.522.02	3 x 85 mm	130 mm
43.522.12	2 x 85 mm	130 mm
43.523.01	3 x 90 mm	130 mm
43.523.11	2 x 90 mm	130 mm
43.523.02	3 x 90 mm	140 mm
43.523.12	2 x 90 mm	140 mm

Sets for latch/handle sets

■ White, EV1, Alu

Boxed qty.: 1 piece

	n/p screws	spindle
43.520.04	2 x 75 mm 1 x 90 mm	100 mm
43.520.14	1 x 75 mm 1 x 90 mm	100 mm
43.521.03	2 x 80 mm 1 x 100 mm	110 mm
43.521.13	1 x 80 mm 1 x 100 mm	110 mm
43.522.03	2 x 85 mm 1 x 100 mm	110 mm
43.522.13	1 x 85 mm 1 x 100 mm	110 mm
43.523.03	2 x 90 mm 1 x 110 mm	120 mm
43.523.13	1 x 90 mm 1 x 110 mm	120 mm

2A

2B

2C

2D

2E

2F

3

Sets for handle sets

■ brass Boxed qty.: 1 piece

	brass screws	spindle
43.530.01	3 x 75 mm	90 mm
43.530.11	2 x 75 mm	120 mm
43.530.02	3 x 75 mm	130 mm
43.531.01	3 x 80 mm	90 mm
43.531.02	3 x 80 mm	130 mm
43.532.01	3 x 85 mm	90 mm
43.532.11	3 x 85 mm	130 mm
43.533.01	3 x 90 mm	130 mm
43.533.02	3 x 90 mm	140 mm

Sets for latch/handle sets

■ brass Boxed qty.: 1 piece

	brass screws	spindle
43.530.04	2 x 75 mm	100 mm
	1 x 90 mm	
43.531.03	2 x 80 mm	110 mm
	1 x 100 mm	
43.532.03	2 x 85 mm	110 mm
	1 x 100 mm	
43.533.03	2 x 90 mm	120 mm
	1 x 110 mm	

2A

2B

2C

2D

2E

2F

3

Spindle 8 mm

Boxed qty.: 1 piece

43.008.06	8 x	60 mm
43.088.07	8 x	70 mm
43.008.08	8 x	80 mm
43.008.09	8 x	90 mm
43.008.10	8 x	100 mm
43.008.11	8 x	110 mm
43.008.12	8 x	120 mm
43.008.13	8 x	130 mm
43.008.14	8 x	140 mm
43.008.15	8 x	150 mm
43.008.99	8 x	1.000 mm

Spindle 9 mm

Boxed qty.: 1 piece

43.009.10	9 x	100 mm
43.009.13	9 x	130 mm

Spindle 8/10/8 mm

Boxed qty.: 1 piece

43.008.17	8/10/8 x	110 mm
43.008.18	8/10/8 x	130 mm
43.008.21	8/10/ x	80 mm

Clip on plugs and rubber-plug

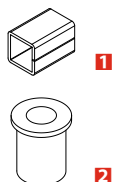
Boxed qty.: 1 piece

43.008.01	1	clip-on plugs 8/10
43.008.02	1	clip-on plugs 7/8
43.001.00	2	dowels

Colorplus screw caps

Boxed qty.: 1 piece

07.101.30	white
07.101.40	schwarz
07.101.50	red
07.101.60	green
07.101.70	yellow
07.101.80	blue



2A

2B

2C

2D

2E

2F

3

Screws, nickel-plated

■ for MTS, CoverLine, Object and Classic-Art

Boxed qty.: 1 piece

43.016.01	M6 x 16 mm
43.030.01	M6 x 30 mm
43.070.01	M6 x 70 mm
43.073.01	M6 x 73 mm
43.075.01	M6 x 75 mm
43.080.01	M6 x 80 mm
43.085.01	M6 x 85 mm
43.090.01	M6 x 90 mm
43.100.01	M6 x 100 mm
43.110.01	M6 x 110 mm

Screws, brass

■ Classic-Art

Boxed qty.: 1 piece

43.016.04	M6 x 16 mm
43.030.04	M6 x 30 mm
43.070.04	M6 x 70 mm
43.075.04	M6 x 75 mm
43.080.04	M6 x 80 mm
43.085.04	M6 x 85 mm
43.090.04	M6 x 90 mm
43.100.04	M6 x 100 mm
43.110.04	M6 x 110 mm

2A**2B****2C****2D****2E****2F****3**

Technical characteristics

The MTR-ALP/APG sets are made of aluminium and die-cast metal and have a plate width of either 25, 32 or 36 mm.

The MTR-ALP / APG Aluminium are mounted on a die-cast supporting structure, the handle inside have an integrated return spring and are completed with the clippable cover plates.

The triple M5 screwed connection is adapted to the lock dimension and is concealed both from the inside and the outside.und hat einen Standard Schraubabstand von 216 mm. The sets can be mounted on the left or on the right.

The mounting sets comprising three M5 screws and a 8mm square box spanner lie with the handle set.

Optional sind die Garnituren mit Außendrückern mit PZ-Schutzrosette verfügbar.

Surfaces

Bei den pulverbeschichteten Oberflächen haben Sie die Wahl zwischen diversen Standardfarben.



White
RAL 9016



Grey-brown
RAL 8019



Silver



Cream white
RAL 9001



Titanium



Satin



Escutcheons for profile cylinder,
outside (optional)

Variants

The door handle sets are available in different versions.



Handle/Handle



Handle/Pad



Handle/Circular pull handle



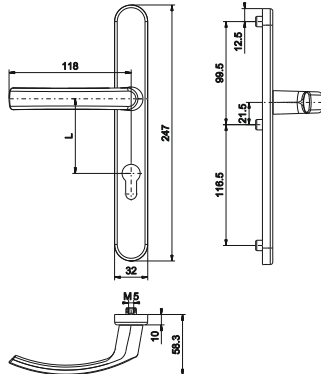
Handle/Handle for shutters

MTR-ALP / APG

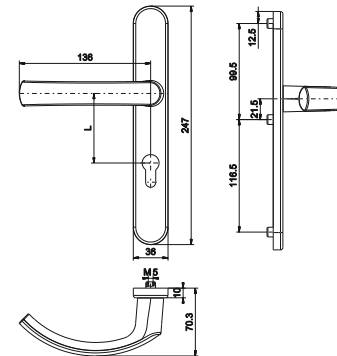
Die Varianten ALP und APG unterscheiden sich durch das Drückermodell. ALP ist ein etwas kleineres Drückermodell, welches identisch zu den Schüring MTR-ALP Fenstergriffen ist. APG hat eine etwas größere Drückerform.



MTR-ALP



MTR-APG



MTR-ALP-Door handle set

- Materials: aluminium
- Surface: powder coated
- Incl. square and screws

Boxed qty.: 1 piece



25 mm plate width

Door thickness 55-70 mm

22.810.203	white RAL 9016
22.810.202	grey-brown RAL 8019
22.810.201	silver
22.810.209	cream white RAL 9001
22.810.210	titanium
22.810.207	satin

Door thickness 71-86 mm

22.810.303	white RAL 9016
22.810.302	grey-brown RAL 8019
22.810.301	silver
22.810.309	cream white RAL 9001
22.810.310	titanium
22.810.307	satin



32 mm plate width

Door thickness 55-70 mm

22.820.203	white RAL 9016
22.820.202	grey-brown RAL 8019
22.820.201	silver
22.820.209	cream white RAL 9001
22.820.210	titanium
22.820.207	satin

Door thickness 71-86 mm

22.820.303	white RAL 9016
22.820.302	grey-brown RAL 8019
22.820.301	silver
22.820.309	cream white RAL 9001
22.820.310	titanium
22.820.307	satin

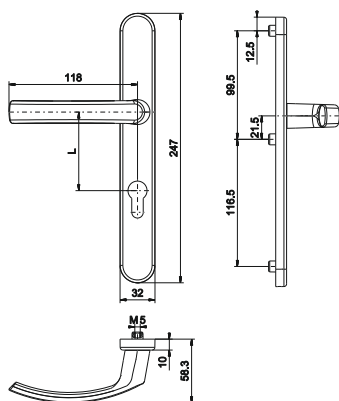
36 mm plate width

Door thickness 55-70 mm

22.830.203	white RAL 9016
22.830.202	grey-brown RAL 8019
22.830.201	silver
22.830.209	cream white RAL 9001
22.830.210	titanium
22.830.207	satin

Door thickness 71-86 mm

22.830.303	white RAL 9016
22.830.302	grey-brown RAL 8019
22.830.301	silver
22.830.309	cream white RAL 9001
22.830.310	titanium
22.830.307	satin





MTR-ALP-Door handle set

- Materials: aluminium
- Surface: powder coated
- Incl. square and screws

Boxed qty.: 1 piece

25 mm plate width

Door thickness 55-70 mm

22.812.203	white RAL 9016
22.812.202	grey-brown RAL 8019
22.812.201	silver
22.812.209	cream white RAL 9001
22.812.210	titanium
22.812.207	satin

Door thickness 71-86 mm

22.812.303	white RAL 9016
22.812.302	grey-brown RAL 8019
22.812.301	silver
22.812.309	cream white RAL 9001
22.812.310	titanium
22.812.307	satin



32 mm plate width

Door thickness 55-70 mm

22.822.203	white RAL 9016
22.822.202	grey-brown RAL 8019
22.822.201	silver
22.822.209	cream white RAL 9001
22.822.210	titanium
22.822.207	satin

Door thickness 71-86 mm

22.822.303	white RAL 9016
22.822.302	grey-brown RAL 8019
22.822.301	silver
22.822.309	cream white RAL 9001
22.822.310	titanium
22.822.307	satin

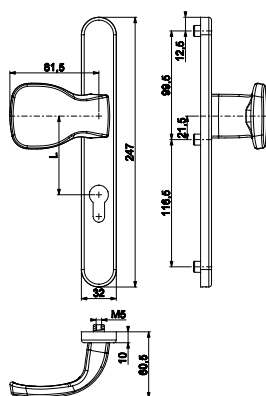
36 mm plate width

Door thickness 55-70 mm

22.832.203	white RAL 9016
22.832.202	grey-brown RAL 8019
22.832.201	silver
22.832.209	cream white RAL 9001
22.832.210	titanium
22.832.207	satin

Door thickness 71-86 mm

22.832.303	white RAL 9016
22.832.302	grey-brown RAL 8019
22.832.301	silver
22.832.309	cream white RAL 9001
22.832.310	titanium
22.832.307	satin



2A

2B

2C

2D

2E

2F

3

MTR-ALP-Door handle set

Handle/Circular pull handle

Door-Technology

2-C-1612

1

2A

2B

2C

2D

2E

2F

3



MTR-ALP-Door handle set

- Materials: aluminium
- Surface: powder coated
- Incl. square and screws

Boxed qty.: 1 piece

25 mm plate width

Door thickness 55-70 mm

22.813.203	white RAL 9016
22.813.202	grey-brown RAL 8019
22.813.201	silver
22.813.209	cream white RAL 9001
22.813.210	titanium
22.813.207	satin

Door thickness 71-86 mm

22.813.303	white RAL 9016
22.813.302	grey-brown RAL 8019
22.813.301	silver
22.813.309	cream white RAL 9001
22.813.310	titanium
22.813.307	satin

32 mm plate width

Door thickness 55-70 mm

22.823.203	white RAL 9016
22.823.202	grey-brown RAL 8019
22.823.201	silver
22.823.209	cream white RAL 9001
22.823.210	titanium
22.823.207	satin

Door thickness 71-86 mm

22.823.303	white RAL 9016
22.823.302	grey-brown RAL 8019
22.823.301	silver
22.823.309	cream white RAL 9001
22.823.310	titanium
22.823.307	satin

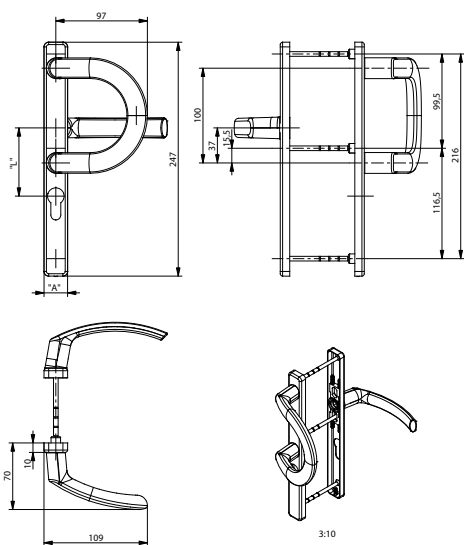
36 mm plate width

Door thickness 55-70 mm

22.833.203	white RAL 9016
22.833.202	grey-brown RAL 8019
22.833.201	silver
22.833.209	cream white RAL 9001
22.833.210	titanium
22.833.207	satin

Door thickness 71-86 mm

22.833.303	white RAL 9016
22.833.302	grey-brown RAL 8019
22.833.301	silver
22.833.309	cream white RAL 9001
22.833.310	titanium
22.833.307	satin



MTR-ALP-Door handle set

Handle/Handle for shutters outside

Door-Technology

2-C-1613

1



MTR-ALP-Door handle set

- Materials: aluminium
- Surface: powder coated
- Incl. square and screws

Boxed qty.: 1 piece

25 mm plate width

Door thickness 55-70 mm

22.811.203	white RAL 9016
22.811.202	grey-brown RAL 8019
22.811.201	silver
22.811.209	cream white RAL 9001
22.811.210	titanium
22.811.207	satin

Door thickness 71-86 mm

22.811.303	white RAL 9016
22.811.302	grey-brown RAL 8019
22.811.301	silver
22.811.309	cream white RAL 9001
22.811.310	titanium
22.811.307	satin



32 mm plate width

Door thickness 55-70 mm

22.821.203	white RAL 9016
22.821.202	grey-brown RAL 8019
22.821.201	silver
22.821.209	cream white RAL 9001
22.821.210	titanium
22.821.207	satin

Door thickness 71-86 mm

22.821.303	white RAL 9016
22.821.302	grey-brown RAL 8019
22.821.301	silver
22.821.309	cream white RAL 9001
22.821.310	titanium
22.821.307	satin

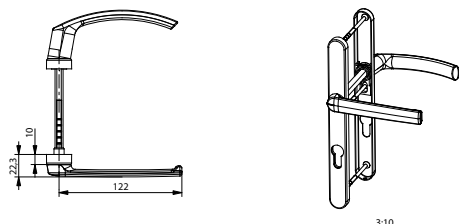
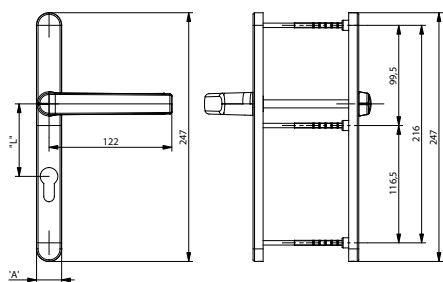
36 mm plate width

Door thickness 55-70 mm

22.831.203	white RAL 9016
22.831.202	grey-brown RAL 8019
22.831.201	silver
22.831.209	cream white RAL 9001
22.831.210	titanium
22.831.207	satin

Door thickness 71-86 mm

22.831.303	white RAL 9016
22.831.302	grey-brown RAL 8019
22.831.301	silver
22.831.309	cream white RAL 9001
22.831.310	titanium
22.831.307	satin



3:10

2A

2B

2C

2D

2E

2F

3

MTR-ALP-Door handle set

- Materials: aluminium
- Surface: powder coated
- Incl. square and screws

Boxed qty.: 1 piece

25 mm plate width

Door thickness 55-70 mm

22.815.203	white RAL 9016
22.815.202	grey-brown RAL 8019
22.815.201	silver
22.815.209	cream white RAL 9001
22.815.210	titanium
22.815.207	satin

Door thickness 71-86 mm

22.815.303	white RAL 9016
22.815.302	grey-brown RAL 8019
22.815.301	silver
22.815.309	cream white RAL 9001
22.815.310	titanium
22.815.307	satin

32 mm plate width

Door thickness 55-70 mm

22.825.203	white RAL 9016
22.825.202	grey-brown RAL 8019
22.825.201	silver
22.825.209	cream white RAL 9001
22.825.210	titanium
22.825.207	satin

Door thickness 71-86 mm

22.825.303	white RAL 9016
22.825.302	grey-brown RAL 8019
22.825.301	silver
22.825.309	cream white RAL 9001
22.825.310	titanium
22.825.307	satin

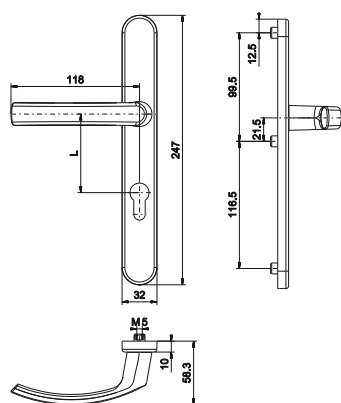
36 mm plate width

Door thickness 55-70 mm

22.835.203	white RAL 9016
22.835.202	grey-brown RAL 8019
22.835.201	silver
22.835.209	cream white RAL 9001
22.835.210	titanium
22.835.207	satin

Door thickness 71-86 mm

22.835.303	white RAL 9016
22.835.302	grey-brown RAL 8019
22.835.301	silver
22.835.309	cream white RAL 9001
22.835.310	titanium
22.835.307	satin



2A

2B

2C

2D

2E

2F

3

MTR-ALP-Door handle set

Handle/Handle with PC-security rosette, anti core pulling protection

Door-Technology

2-C-1615

1



Handle outside with PC-security rosette



MTR-ALP-Door handle set

- Materials: aluminium
- Surface: powder coated
- Incl. square and screws

Boxed qty: 1 piece

32 mm plate width

Door thickness 55-70 mm

22.840.203	white RAL 9016
22.840.202	grey-brown RAL 8019
22.840.201	silver
22.840.209	cream white RAL 9001
22.840.210	titanium
22.840.207	satin

Door thickness 71-86 mm

22.840.303	white RAL 9016
22.840.302	grey-brown RAL 8019
22.840.301	silver
22.840.309	cream white RAL 9001
22.840.310	titanium
22.840.307	satin

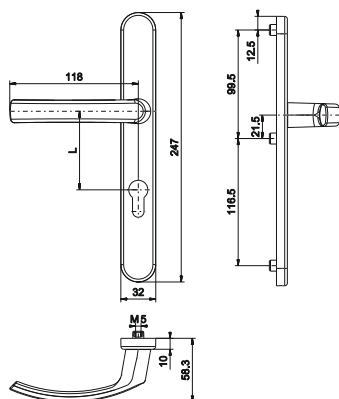
36 mm plate width

Door thickness 55-70 mm

22.850.203	white RAL 9016
22.850.202	grey-brown RAL 8019
22.850.201	silver
22.850.209	cream white RAL 9001
22.850.210	titanium
22.850.207	satin

Door thickness 71-86 mm

22.850.303	white RAL 9016
22.850.302	grey-brown RAL 8019
22.850.301	silver
22.850.309	cream white RAL 9001
22.850.310	titanium
22.850.307	satin



2A

2B

2C

2D

2E

2F

3

MTR-ALP-Door handle set

Handle/Pad with PC-security rosette, Kernziehschutz

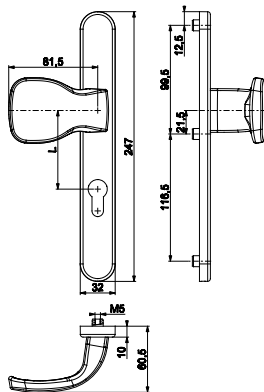
Door-Technology

2-C-1616

1



Außendrücker mit PZ-Schutzrosette



MTR-ALP-Drückergarnituren

- Werkstoffe: Aluminium
- Oberfläche: pulverbeschichtet
- Inkl. Vierkant und Schrauben

Verpackungseinheit: 1 Stück

Schildbreite 32 mm

Türstärke 55-70 mm

22.842.203	white RAL 9016
22.842.202	grey-brown RAL 8019
22.842.201	silver
22.842.209	cream white RAL 9001
22.842.210	titanium
22.842.207	satin

Türstärke 71-86 mm

22.842.303	white RAL 9016
22.842.302	grey-brown RAL 8019
22.842.301	silver
22.842.309	cream white RAL 9001
22.842.310	titanium
22.842.307	satin

Schildbreite 36 mm

Türstärke 55-70 mm

22.852.203	white RAL 9016
22.852.202	grey-brown RAL 8019
22.852.201	silver
22.852.209	cream white RAL 9001
22.852.210	titanium
22.852.207	satin

Türstärke 71-86 mm

22.852.303	white RAL 9016
22.852.302	grey-brown RAL 8019
22.852.301	silver
22.852.309	cream white RAL 9001
22.852.310	titanium
22.852.307	satin

2A

2B

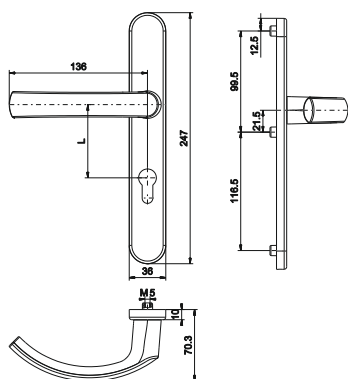
2C

2D

2E

2F

3



MTR-APG-Drückergarnituren

- Werkstoffe: Aluminium
- Oberfläche: pulverbeschichtet
- Inkl. Vierkant und Schrauben

Verpackungseinheit: 1 Stück

Schildbreite 32 mm

Türstärke 55-70 mm

22.870.203	white RAL 9016
22.870.202	grey-brown RAL 8019
22.870.201	silver
22.870.209	cream white RAL 9001
22.870.210	titanium
22.870.207	satin

Türstärke 71-86 mm

22.870.303	white RAL 9016
22.870.302	grey-brown RAL 8019
22.870.301	silver
22.870.309	cream white RAL 9001
22.870.310	titanium
22.870.307	satin

Schildbreite 36 mm

Türstärke 55-70 mm

22.880.203	white RAL 9016
22.880.202	grey-brown RAL 8019
22.880.201	silver
22.880.209	cream white RAL 9001
22.880.210	titanium
22.880.207	satin

Türstärke 71-86 mm

22.880.303	white RAL 9016
22.880.302	grey-brown RAL 8019
22.880.301	silver
22.880.309	cream white RAL 9001
22.880.310	titanium
22.880.307	satin



MTR-APG-Drückergarnituren

- Werkstoffe: Aluminium
- Oberfläche: pulverbeschichtet
- Inkl. Vierkant und Schrauben

Verpackungseinheit: 1 Stück

Schildbreite 32 mm

Türstärke 55-70 mm

22.872.203	white RAL 9016
22.872.202	grey-brown RAL 8019
22.872.201	silver
22.872.209	cream white RAL 9001
22.872.210	titanium
22.872.207	satin

Türstärke 71-86 mm

22.872.303	white RAL 9016
22.872.302	grey-brown RAL 8019
22.872.301	silver
22.872.309	cream white RAL 9001
22.872.310	titanium
22.872.307	satin



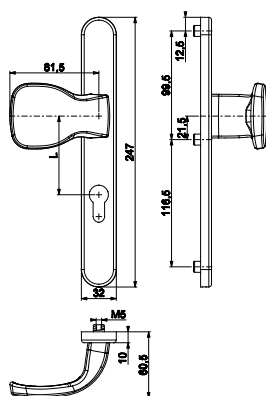
Schildbreite 36 mm

Türstärke 55-70 mm

22.882.203	white RAL 9016
22.882.202	grey-brown RAL 8019
22.882.201	silver
22.882.209	cream white RAL 9001
22.882.210	titanium
22.882.207	satin

Türstärke 71-86 mm

22.882.303	white RAL 9016
22.882.302	grey-brown RAL 8019
22.882.301	silver
22.882.309	cream white RAL 9001
22.882.310	titanium
22.882.307	satin



2A

2B

2C

2D

2E

2F

3



MTR-APG-Drückergarnituren

- Werkstoffe: Aluminium
- Oberfläche: pulverbeschichtet
- Inkl. Vierkant und Schrauben

Verpackungseinheit: 1 Stück

Schildbreite 32 mm

Türstärke 55-70 mm

22.873.203	white RAL 9016
22.873.202	grey-brown RAL 8019
22.873.201	silver
22.873.209	cream white RAL 9001
22.873.210	titanium
22.873.207	satin

Türstärke 71-86 mm

22.873.303	white RAL 9016
22.873.302	grey-brown RAL 8019
22.873.301	silver
22.873.309	cream white RAL 9001
22.873.310	titanium
22.873.307	satin



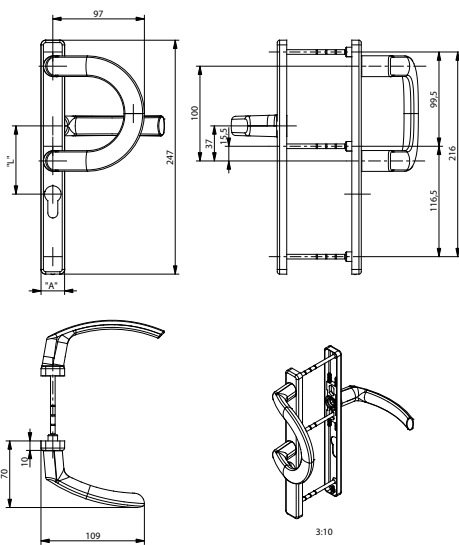
Schildbreite 36 mm

Türstärke 55-70 mm

22.883.203	white RAL 9016
22.883.202	grey-brown RAL 8019
22.883.201	silver
22.883.209	cream white RAL 9001
22.883.210	titanium
22.883.207	satin

Türstärke 71-86 mm

22.883.303	white RAL 9016
22.883.302	grey-brown RAL 8019
22.883.301	silver
22.883.309	cream white RAL 9001
22.883.310	titanium
22.883.307	satin



2A

2B

2C

2D

2E

2F

3



MTR-APG-Drückergarnituren

- Werkstoffe: Aluminium
- Oberfläche: pulverbeschichtet
- Inkl. Vierkant und Schrauben

Verpackungseinheit: 1 Stück

Schildbreite 32 mm

Türstärke 55-70 mm

22.871.203	white RAL 9016
22.871.202	grey-brown RAL 8019
22.871.201	silver
22.871.209	cream white RAL 9001
22.871.210	titanium
22.871.207	satin

Türstärke 71-86 mm

22.871.303	white RAL 9016
22.871.302	grey-brown RAL 8019
22.871.301	silver
22.871.309	cream white RAL 9001
22.871.310	titanium
22.871.307	satin



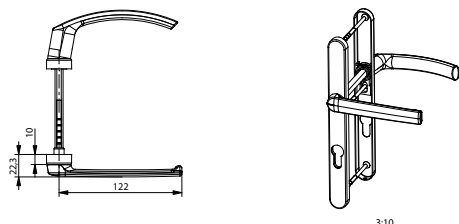
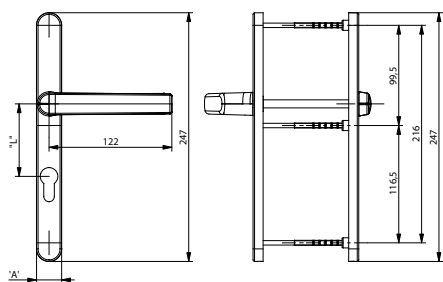
Schildbreite 36 mm

Türstärke 55-70 mm

22.881.203	white RAL 9016
22.881.202	grey-brown RAL 8019
22.881.201	silver
22.881.209	cream white RAL 9001
22.881.210	titanium
22.881.207	satin

Türstärke 71-86 mm

22.881.303	white RAL 9016
22.881.302	grey-brown RAL 8019
22.881.301	silver
22.881.309	cream white RAL 9001
22.881.310	titanium
22.881.307	satin



2A

2B

2C

2D

2E

2F

3



MTR-APG-Drückergarnituren

- Werkstoffe: Aluminium
- Oberfläche: pulverbeschichtet
- Inkl. Vierkant und Schrauben

Verpackungseinheit: 1 Stück

Schildbreite 32 mm

Türstärke 55-70 mm

22.875.203	white RAL 9016
22.875.202	grey-brown RAL 8019
22.875.201	silver
22.875.209	cream white RAL 9001
22.875.210	titanium
22.875.207	satin

Türstärke 71-86 mm

22.875.303	white RAL 9016
22.875.302	grey-brown RAL 8019
22.875.301	silver
22.875.309	cream white RAL 9001
22.875.310	titanium
22.875.307	satin



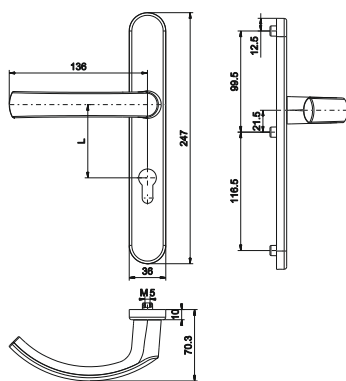
Schildbreite 36 mm

Türstärke 55-70 mm

22.885.203	white RAL 9016
22.885.202	grey-brown RAL 8019
22.885.201	silver
22.885.209	cream white RAL 9001
22.885.210	titanium
22.885.207	satin

Türstärke 71-86 mm

22.885.303	white RAL 9016
22.885.302	grey-brown RAL 8019
22.885.301	silver
22.885.309	cream white RAL 9001
22.885.310	titanium
22.885.307	satin



2A

2B

2C

2D

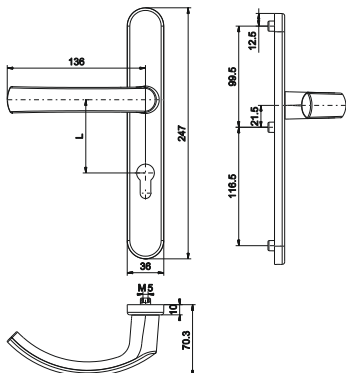
2E

2F

3



Außendrücker mit PZ-Schutzrosette



MTR-APG-Drückergarnituren

- Werkstoffe: Aluminium
- Oberfläche: pulverbeschichtet
- Inkl. Vierkant und Schrauben

Verpackungseinheit: 1 Stück

Schildbreite 32 mm

Türstärke 55-70 mm

22.890.203	white RAL 9016
22.890.202	grey-brown RAL 8019
22.890.201	silver
22.890.209	cream white RAL 9001
22.890.210	titanium
22.890.207	satin

Türstärke 71-86 mm

22.890.303	white RAL 9016
22.890.302	grey-brown RAL 8019
22.890.301	silver
22.890.309	cream white RAL 9001
22.890.310	titanium
22.890.307	satin

Schildbreite 36 mm

Türstärke 55-70 mm

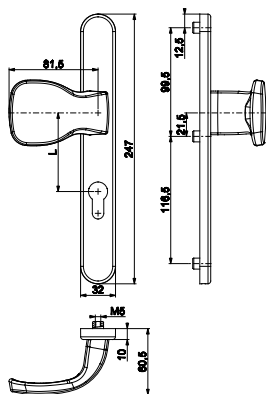
22.895.203	white RAL 9016
22.895.202	grey-brown RAL 8019
22.895.201	silver
22.895.209	cream white RAL 9001
22.895.210	titanium
22.895.207	satin

Türstärke 71-86 mm

22.895.303	white RAL 9016
22.895.302	grey-brown RAL 8019
22.895.301	silver
22.895.309	cream white RAL 9001
22.895.310	titanium
22.895.307	satin



Außendrücker mit PZ-Schutzrosette



MTR-APG-Drückergarnituren

- Werkstoffe: Aluminium
- Oberfläche: pulverbeschichtet
- Inkl. Vierkant und Schrauben

Verpackungseinheit: 1 Stück

Schildbreite 32 mm

Türstärke 55-70 mm

22.892.203	white RAL 9016
22.892.202	grey-brown RAL 8019
22.892.201	silver
22.892.209	cream white RAL 9001
22.892.210	titanium
22.892.207	satin

Türstärke 71-86 mm

22.892.303	white RAL 9016
22.892.302	grey-brown RAL 8019
22.892.301	silver
22.892.309	cream white RAL 9001
22.892.310	titanium
22.892.307	satin

Schildbreite 36 mm

Türstärke 55-70 mm

22.897.203	white RAL 9016
22.897.202	grey-brown RAL 8019
22.897.201	silver
22.897.209	cream white RAL 9001
22.897.210	titanium
22.897.207	satin

Türstärke 71-86 mm

22.897.303	white RAL 9016
22.897.302	grey-brown RAL 8019
22.897.301	silver
22.897.309	cream white RAL 9001
22.897.310	titanium
22.897.307	satin

2A

2B

2C

2D

2E

2F

3

Window fittings

1

Door fittings	Electronic and mechanical residential door locks, anti-panic locks, double-casement fittings, special fittings	2A
	Keeps, special keeps, electric release, profile cylinders	2B
	Handle-sets, pull handles and accessories	2C
	Door hinges, sills, door closer and accessory	2D
	Tilt and slide fitting, folding door fittings, slide fitting	2E
	In planning	2F

Accessories and consumable items

3



mtec



The m-tec I door hinge

is suitable for virtually every profile system and every profile combination.

- width adjustment
- controllable height adjustment
- locking pressure adjustment
- intruder resistant when used externally
- 120 kg carrying capacity

- one drilling size
- one screw size
- non-handed
- overlap screwing
- designer cover cap

■ Boxed qty.: 12 pieces

Overlap height		Overlap height	
25.651.01	16 mm white	25.657.01	21 mm white
25.651.03	16 mm brown	25.657.03	21 mm brown
25.651.05	16 mm silver	25.657.05	21 mm silver
25.652.01	18 mm white	25.657.09	21 mm cream white, RAL 9001
25.652.03	18 mm brown	25.657.30	21 mm stainless steel look*
25.652.05	18 mm silver	25.654.01	22 mm white
25.652.09	18 mm cream white, RAL 9001	25.654.03	22 mm brown
25.652.30	18 mm stainless steel look*	25.654.05	22 mm silver
25.653.01	20 mm white	25.654.09	22 mm cream white, RAL 9001
25.653.03	20 mm brown	25.654.30	22 mm stainless steel look*
25.653.04	20 mm beige brown, RAL 8024	25.655.01	25 mm white
25.653.05	20 mm silver	25.655.03	25 mm brown
25.653.09	20 mm cream white, RAL 9001	25.655.05	25 mm silver
25.653.30	20 mm stainless steel look*	25.655.09	25 mm cream white, RAL 9001
		25.655.30	25 mm stainless steel look*

Safeguard against lifting out for external installation

25.297.01	for 16 mm eurogroove
25.297.02	for 20 mm eurogroove
25.297.03	for 24 mm eurogroove

Spacer plates and accessories

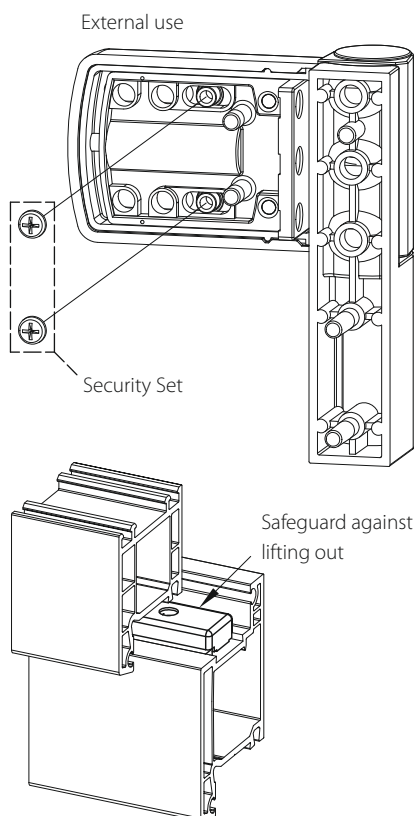
25.296.11	U-plate 1 mm, white
25.296.13	U-plate 1 mm, black
25.296.15	U-plate 1 mm, silver
25.296.21	U-plate 2 mm, white
25.296.23	U-plate 2 mm, black
25.296.31	U-plate 3 mm, white
25.296.33	U-plate 3 mm, black
94.100.732	Distance piece, length 9,0 mm, diameter 10 mm
94.101.728	Distance piece, length 19,0 mm, diameter 10 mm
94.101.729	Distance piece, length 20,0 mm, diameter 10 mm
94.101.730	Distance piece, length 13,7 mm, diameter 10 mm
94.101.731	Distance piece, length 17,4 mm, diameter 10 mm

wintec® WD-Screw, special length

41.240.63	6,3 x 38 mm, Torx
41.240.64	6,3 x 50 mm, Torx
41.240.73	6,3 x 45 mm, allen key
41.240.74	6,3 x 55 mm, allen key
41.240.75	6,3 x 60 mm, allen key
41.240.76	6,3 x 70 mm, allen key

Jigs

25.600.31	jig, centered
25.600.01	telescopic jig, centered, 3-fold
25.600.33	jig for overlap screwing
00.011.11	installation instructions m-tec I



2A

2B

2C

2D

2E

2F

3



mtec



The m-tec I door hinge

is suitable for virtually every profile system and every profile combination.

- width adjustment
- controllable height adjustment
- locking pressure adjustment
- intruder resistant when used externally
- 120 kg carrying capacity

- one drilling size
- one screw size
- non-handed
- designer cover cap

■ Boxed qty.: 12 pieces

Overlap height		Overlap height	
25.661.01	16 mm white	25.667.03	21 mm brown
25.661.03	16 mm brown	25.667.05	21 mm silver
25.661.05	16 mm silver	25.667.09	21 mm cream white, RAL 9001
25.662.01	18 mm white	25.667.30	21 mm stainless steel look*
25.662.03	18 mm brown	25.664.01	22 mm white
25.662.05	18 mm silver	25.664.03	22 mm brown
25.662.09	18 mm cream white, RAL 9001	25.664.05	22 mm silver
25.662.30	18 mm stainless steel look*	25.664.09	22 mm cream white, RAL 9001
25.663.01	20 mm white	25.664.30	22 mm stainless steel look*
25.663.03	20 mm brown	25.665.01	25 mm white
25.663.04	20 mm beige brown, RAL 8024	25.665.03	25 mm brown
25.663.05	20 mm silver	25.665.05	25 mm silver
25.663.09	20 mm cream white, RAL 9001	25.665.09	25 mm cream white, RAL 9001
25.663.30	20 mm stainless steel look*	25.665.30	25 mm stainless steel look*
25.667.01	21 mm white		

Safeguard against lifting out for external installation

- 25.297.01 for 16 mm eurogroove
- 25.297.02 for 20 mm eurogroove
- 25.297.03 for 24 mm eurogroove

Spacer plates and accessories

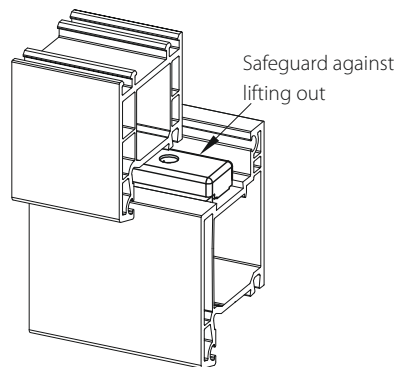
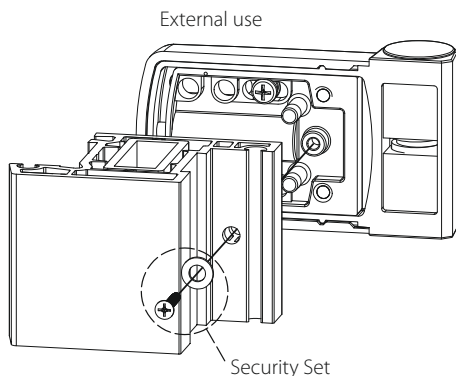
- 25.296.11 U-plate 1 mm, white
- 25.296.13 U-plate 1 mm, black
- 25.296.15 U-plate 1 mm, silver
- 25.296.21 U-plate 2 mm, white
- 25.296.23 U-plate 2 mm, black
- 25.296.31 U-plate 3 mm, white
- 25.296.33 U-plate 3 mm, black
- 94.100.732 Distance piece, length 9,0 mm, diameter 10 mm
- 94.101.728 Distance piece, length 19,0 mm, diameter 10 mm
- 94.101.729 Distance piece, length 20,0 mm, diameter 10 mm
- 94.101.730 Distance piece, length 13,7 mm, diameter 10 mm
- 94.101.731 Distance piece, length 17,4 mm, diameter 10 mm

wintec® WD-Screw, special length

- 41.240.63 6,3 x 38 mm, Torx
- 41.240.64 6,3 x 50 mm, Torx
- 41.240.73 6,3 x 45 mm, allen key
- 41.240.74 6,3 x 55 mm, allen key
- 41.240.75 6,3 x 60 mm, allen key
- 41.240.76 6,3 x 70 mm, allen key

Jigs

- 25.600.32 jig, centered
- 25.600.02 telescopic jig, centered, 3-fold
- 00.011.21 installation instructions m-tec I

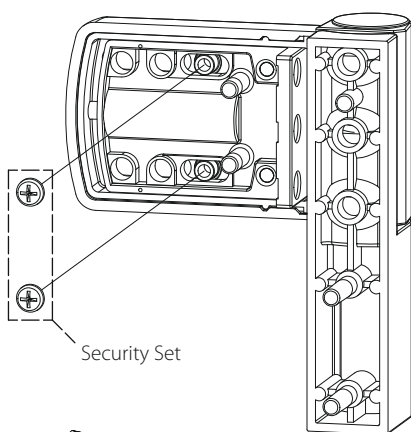




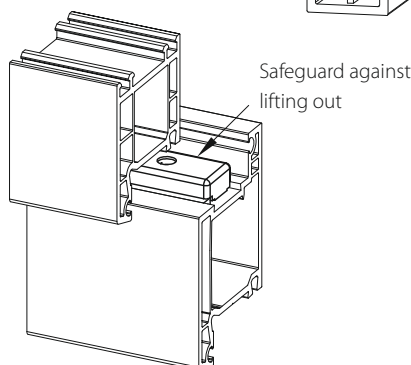
mtec



External use



Security Set



Safeguard against lifting out

The m-tec I door hinge

is suitable for virtually every profile system and every profile combination.

- width adjustment
- controllable height adjustment
- locking pressure adjustment
- intruder resistant when used externally
- 120 kg carrying capacity DIN EN 1935

- one drilling size
- one screw size
- non-handed
- overlap screwing
- designer cover cap

■ Boxed qty.: 12 pieces

	Colours	Overlap height
25.611.01	white	16 mm
25.611.03	brown	16 mm
25.611.05	silver	16 mm
25.612.01	white	18 mm
25.612.03	brown	18 mm
25.612.05	silver	18 mm
25.613.01	white	20 mm
25.613.03	brown	20 mm
25.613.05	silver	20 mm
25.620.01	white	21 mm
25.620.03	brown	21 mm
25.620.05	silver	21 mm
25.619.01	white	22 mm
25.619.03	brown	22 mm
25.619.05	silver	22 mm
25.614.01	white	25 mm
25.614.03	brown	25 mm
25.614.05	silver	25 mm*
25.618.01	white	KöAV
25.618.03	brown	KöAV
25.618.05	silver	KöAV

Security set for external installation Overlap height

25.720.00	m-tec I	16 mm
25.720.01	m-tec I	18 mm and 20 mm
25.720.02	m-tec I	22 mm

Safeguard against lifting out for external installation

25.297.01	for 16 mm eurogroove
25.297.02	for 20 mm eurogroove
25.297.03	for 24 mm eurogroove

Spacer plates and accessories

25.296.11	U-plate 1 mm, white
25.296.13	U-plate 1 mm, black
25.296.15	U-plate 1 mm, silver
25.296.21	U-plate 2 mm, white
25.296.23	U-plate 2 mm, black
25.296.31	U-plate 3 mm, white
25.296.33	U-plate 3 mm, black
94.100.732	Distance piece, length 9 mm, diameter 10 mm
41.240.74	wintec® WD-Screw 6,3 x 55 mm, allen key
41.240.75	wintec® WD-Screw 6,3 x 60 mm, allen key
41.240.76	wintec® WD-Screw 6,3 x 70 mm, allen key

Jigs

25.600.31	jig, centered
25.600.01	telescopic jig, centered, 3-fold
25.600.33	jig for overlap screwing
00.011.11	installation instructions m-tec I

2A

2B

2C

2D

2E

2F

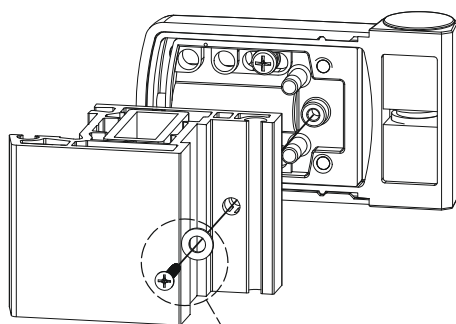
3



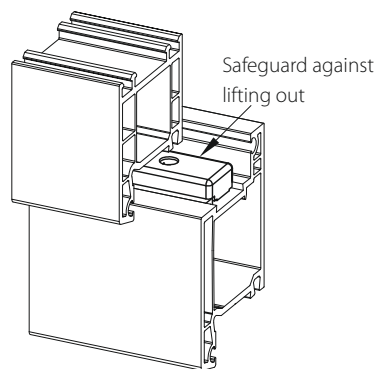
mtec



External use



Security Set



Safeguard against lifting out



Europ. Patent
* on request.

The m-tec I door hinge

is suitable for virtually every profile system and every profile combination.

- width adjustment
- controllable height adjustment
- locking pressure adjustment
- intruder resistant when used externally

- 120 kg carrying capacity DIN EN 1935
- one drilling size
- one screw size
- non-handed
- designer cover cap

■ Boxed qty.: 12 pieces

	Colours	Overlap height
25.611.11	white	16 mm
25.611.13	brown	16 mm
25.611.15	silver	16 mm
25.612.11	white	18 mm
25.612.13	brown	18 mm
25.612.15	silver	18 mm
25.612.19	cream white	18 mm
25.613.11	white	20 mm
25.613.13	brown	20 mm
25.613.15	silver	20 mm
25.620.11	white	21 mm*
25.620.13	brown	21 mm*
25.620.15	silver	21 mm*
25.620.115	white	21 mm, SKG
25.620.135	brown	21 mm, SKG
25.620.155	silver	21 mm, SKG
25.620.195	cream white	21 mm, SKG
25.619.11	white	22 mm
25.619.13	brown	22 mm
25.619.15	silver	22 mm
25.614.11	white	25 mm
25.614.13	brown	25 mm
25.614.15	silver	25 mm*

Security set for external installation Overlap height

25.720.00	m-tec I	16 mm
25.720.01	m-tec I	18 mm and 20 mm
25.720.02	m-tec I	16 mm 22 mm

Safeguard against lifting out for external installation

25.297.01	for 16 mm eurogroove
25.297.02	for 20 mm eurogroove
25.297.03	for 24 mm eurogroove

Spacer plates

25.296.11	U-plate 1 mm, white
25.296.13	U-plate 1 mm, black
25.296.15	U-plate 1 mm, silver
25.296.21	U-plate 2 mm, white
25.296.23	U-plate 2 mm, black
25.296.31	U-plate 3 mm, white
25.296.33	U-plate 3 mm, black
41.240.74	wintec® WD-Screw 6,3 x 55 mm, allen key
41.240.75	wintec® WD-Screw 6,3 x 60 mm, allen key
41.240.76	wintec® WD-Screw 6,3 x 70 mm, allen key

Jigs

25.602.30	jig, centered
25.600.02	telescopic jig, centered, 3-fold
00.011.21	installation instructions m-tec I
00.011.215	installation instructions m-tec I, SKG telescopic jig SKG, on request.

More colours on request.

m-tec IIm Door Hinge for PVC Doors, metal cover cap with overlap fixing

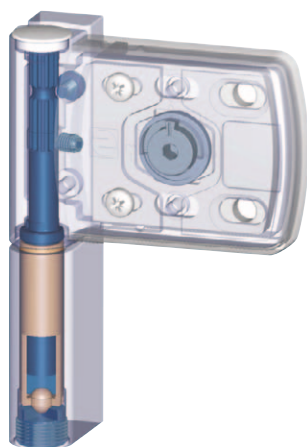
Door-Technology

2-D-0060

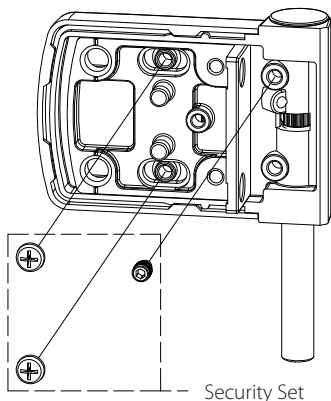
1



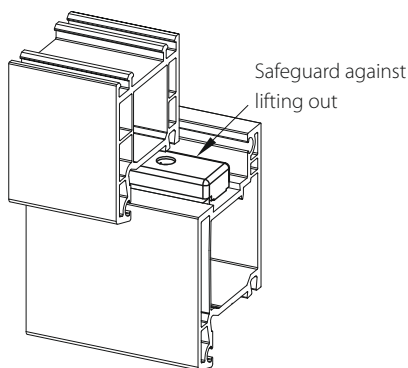
mtec



External use



Security Set



Safeguard against lifting out

The m-tec IIm door hinge

is a special hinge for light weight house doors.

- width adjustment
- controllable height adjustment
- locking pressure adjustment
- intruder resistant when used externally
- door weight up to 120 kg - certified according to DIN EN 1935 - class 13
- one drilling size
- one screw size
- non-handed
- overlap screwing
- metal cover cap
- Packaging unit: 12 pieces

Overlap height		Overlap height	
25.731.01	16,5 mm white	25.733.01	20 mm white
25.731.03	16,5 mm brown	25.733.03	20 mm brown
25.731.04	16,5 mm beige brown	25.733.04	20 mm beige brown
25.731.05	16,5 mm silver	25.733.05	20 mm silver
25.731.08	16,5 mm anthracite/similar F9	25.733.08	20 mm anthracite/similar F9
25.731.09	16,5 mm cream white	25.733.09	20 mm cream white
25.732.01	18 mm white	25.734.01	22 mm white
25.732.03	18 mm brown	25.734.03	22 mm brown
25.732.04	18 mm beige brown	25.734.04	22 mm beige brown
25.732.05	18 mm silver	25.734.05	22 mm silver
25.732.08	18 mm anthracite/similar F9	25.734.08	22 mm anthracite/similar F9
25.732.09	18 mm cream white	25.734.09	22 mm cream white

Screw for metal cover cap

■ Packaging unit: 100 pieces

25.749.00 Screw

Security set for external installation

25.720.00 16,5 mm overlap height
 25.720.01 18 mm and 20 mm overlap height
 25.720.02 22 mm overlap height

Safeguard against lifting out for external installation

25.297.01 für 16 mm eurogroove
 25.297.02 für 20 mm eurogroove
 25.297.03 für 24 mm eurogroove

Jigs

25.604.10 jig
 25.605.10 telescopic jig, 3-fold

2A

2B

2C

2D

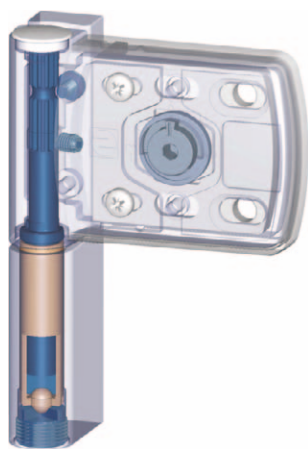
2E

2F

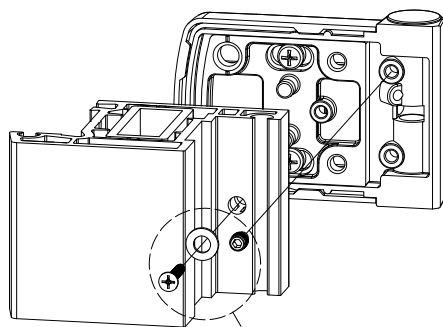
3



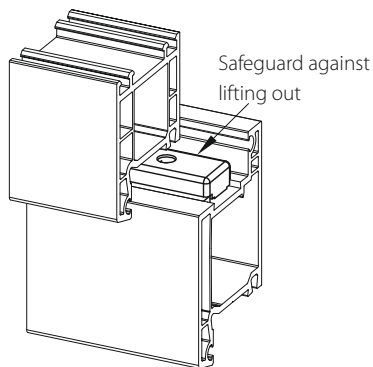
mtec



External use



Security Set



Safeguard against lifting out

The m-tec IIm door hinge

is a special hinge for light weight house doors.

- width adjustment
- controllable height adjustment
- locking pressure adjustment
- intruder resistant when used externally
- door weight up to 120 kg - certified according to DIN EN 1935 - class 13
- one drilling size
- one screw size
- non-handed
- metal cover cap
- Packaging unit: 12 pieces

Overlap height		Overlap height	
25.741.01	16,5 mm white	25.743.01	20 mm white
25.741.03	16,5 mm brown	25.743.03	20 mm brown
25.741.04	16,5 mm beige brown	25.743.04	20 mm beige brown
25.741.05	16,5 mm silver	25.743.05	20 mm silver
25.741.08	16,5 mm anthracite/similar F9	25.743.08	20 mm anthracite/similar F9
25.741.09	16,5 mm cream white	25.743.09	20 mm cream white
25.742.01	18 mm white	25.744.01	22 mm white
25.742.03	18 mm brown	25.744.03	22 mm brown
25.742.04	18 mm beige brown	25.744.04	22 mm beige brown
25.742.05	18 mm silver	25.744.05	22 mm silver
25.742.08	18 mm anthracite/similar F9	25.744.08	22 mm anthracite/similar F9
25.742.09	18 mm cream white	25.744.09	22 mm cream white

Screw for metal cover cap

■ Packaging unit: 100 pieces

25.749.00	Screw
-----------	-------

Security set for external installation

25.720.00	16,5 mm overlap height
25.720.01	18 mm und 20 mm overlap height
25.720.02	22 mm overlap height

Safeguard against lifting out for external installation

25.297.01	für 16 mm eurogroove
25.297.02	für 20 mm eurogroove
25.297.03	für 24 mm eurogroove

Jigs

25.604.20	jig
25.605.20	telescopic jig, 3-fold

2A

2B

2C

2D

2E

2F

3



mtec



The m-tec IIm door hinge for renovation profiles is a special hinge for light weight house doors.

- width adjustment
- controllable height adjustment
- locking pressure adjustment
- intruder resistant when used externally
- door weight up to 120 kg - certified according to DIN EN 1935 - class 13
- one drilling size
- one screw size
- non-handed
- metal cover cap
- Packaging unit: 12 pieces

Overlap height		Overlap height	
25.745.01	16,5 mm white	25.747.01	20 mm white
25.745.03	16,5 mm brown	25.747.03	20 mm brown
25.745.04	16,5 mm beige brown	25.747.04	20 mm beige brown
25.745.05	16,5 mm silver	25.747.05	20 mm silver
25.745.08	16,5 mm anthracite/similar F9	25.747.08	20 mm anthracite/similar F9
25.745.09	16,5 mm cream white	25.747.09	20 mm cream white
25.746.01	18 mm white	25.748.01	22 mm white
25.746.03	18 mm brown	25.748.03	22 mm brown
25.746.04	18 mm beige brown	25.748.04	22 mm beige brown
25.746.05	18 mm silver	25.748.05	22 mm silver
25.746.08	18 mm anthracite/similar F9	25.748.08	22 mm anthracite/similar F9
25.746.09	18 mm cream white	25.748.09	22 mm cream white

Screw for metal cover cap

■ Packaging unit: 100 pieces

25.749.00	Screw
-----------	-------

Security set for external installation

25.720.00	16,5 mm overlap height
25.720.01	18 mm und 20 mm overlap height
25.720.02	22 mm overlap height

Safeguard against lifting out for external installation

25.297.01	für 16 mm eurogroove
25.297.02	für 20 mm eurogroove
25.297.03	für 24 mm eurogroove

Jigs

25.604.50	jig m-tec IIm RP
-----------	------------------

2A

2B

2C

2D

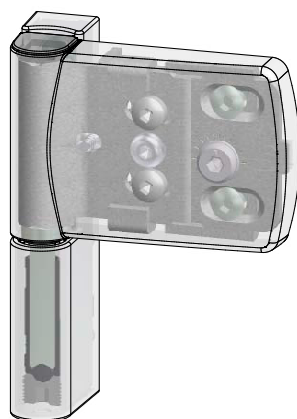
2E

2F

3



mtec



The m-tec IIs steel door hinge

is a special hinge for light weight house doors.

- width adjustment
- controllable height adjustment
- compression adjustment via an adjusting screw +/- 1 mm
- a patented ball-bearing centering device - prevents any tilting of the casement
- 80 kg carrying capacity
- one drilling size and one screw size
- non-handed
- overlap screwing
- metal designer cover cap

■ Boxed qty: 12 pieces

Overlap height

25.771.01	16 mm white
25.771.03	16 mm brown
25.771.04	16 mm beige brown RAL 8024
25.771.05	16 mm silver
25.771.09	16 mm cream white
25.771.30	16 mm stainless steel look*
25.772.01	18 mm white
25.772.03	18 mm brown
25.772.04	18 mm beige brown RAL 8024
25.772.05	18 mm silver
25.772.09	18 mm cream white
25.772.30	18 mm stainless steel look*
25.773.01	20 mm white
25.773.03	20 mm brown
25.773.04	20 mm beige brown RAL 8024
25.773.05	20 mm silver
25.773.09	20 mm cream white
25.773.30	20 mm stainless steel look*
25.774.01	22 mm white
25.774.03	22 mm brown
25.774.04	22 mm beige brown RAL 8024
25.774.05	22 mm silver
25.774.09	22 mm cream white
25.774.30	22 mm stainless steel look*

Safeguard against lifting out for external installation

25.297.01	for 16 mm eurogroove
25.297.02	for 20 mm eurogroove

wintec® WD-screw, special length

41.240.63	6,3 x 38 mm, Torx
41.240.64	6,3 x 50 mm, Torx
41.240.73	6,3 x 45 mm, allen key
41.240.74	6,3 x 55 mm, allen key
41.240.75	6,3 x 60 mm, allen key
41.240.76	6,3 x 70 mm, allen key

Jigs

25.604.30	jig
25.605.30	telescopic jig, 3-fold
00.011.32	installation instructions m-tec IIs

2A

2B

2C

2D

2E

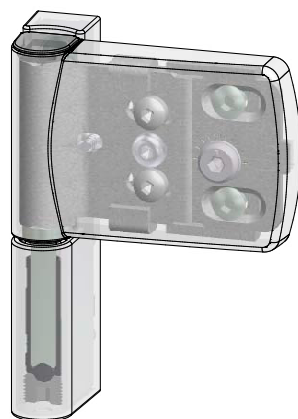
2F

3

4



mtec



The m-tec IIs steel door hinge

is a special hinge for light weight house doors.

- width adjustment
- controllable height adjustment
- compression adjustment via an adjusting screw +/- 1 mm
- a patented ball-bearing centering device- prevents any tilting of the casement
- 80 kg carrying capacity
- one drilling size and one screw size
- non-handed
- metal designer cover cap
- Boxed qty.: 12 pieces

Overlap height

25.781.01	16 mm white
25.781.03	16 mm brown
25.781.05	16 mm silver
25.781.09	16 mm cream white
25.781.30	16 mm stainless steel look*
25.782.01	18 mm white
25.782.03	18 mm brown
25.782.04	18 mm beige brown RAL 8024
25.782.05	18 mm silver
25.782.09	18 mm cream white
25.782.30	18 mm stainless steel look*
25.783.01	20 mm white
25.783.03	20 mm brown
25.783.04	20 mm beige brown RAL 8024
25.783.05	20 mm silver
25.783.09	20 mm cream white
25.783.30	20 mm stainless steel look*
25.784.01	22 mm white
25.784.03	22 mm brown
25.784.04	22 mm beige brown RAL 8024
25.784.05	22 mm silver
25.784.30	22 mm stainless steel look*

Safeguard against lifting out for external installation

25.297.01	for 16 mm eurogroove
25.297.02	for 20 mm eurogroove

wintec® WD-screw, special length

41.240.63	6,3 x 38 mm, Torx
41.240.64	6,3 x 50 mm, Torx
41.240.73	6,3 x 45 mm, allen key
41.240.74	6,3 x 55 mm, allen key
41.240.75	6,3 x 60 mm, allen key
41.240.76	6,3 x 70 mm, allen key

Jigs

25.604.40	jig
25.605.40	telescopic jig, 3-fold
00.011.42	installation instructions m-tec IIs

2A

2B

2C

2D

2E

2F

3

4



The m-tec IIIs steel door hinge

is a special hinge for PVC house door constructions.

- width adjustment
- controllable height adjustment
- 2x3 mm compression adjustment via an adjusting screw +/- 1 mm and via the excentric axle +/- 0,5 mm
- a patented ball-bearing centering device
- prevents any tilting of the casement
- 120 kg carrying capacity DIN EN 1935
- one drilling size
- one screw size
- non-handed
- overlap screwing
- metal designer cover cap
- Boxed qty.: 12 pieces

Overlap height		Overlap height	
25.901.01	16 mm white	25.903.03	20 mm brown
25.901.03	16 mm brown	25.903.04	20 mm beige brown, RAL 8024
25.901.04	16 mm beige brown, RAL 8024	25.903.05	20 mm silver
25.901.05	16 mm silver*	25.903.09	20 mm cream white
25.902.01	18 mm white	25.903.30	20 mm stainless steel look*
25.902.03	18 mm brown	25.904.01	22 mm white
25.902.04	18 mm beige brown, RAL 8024	25.904.03	22 mm brown
25.902.05	18 mm silver	25.904.04	22 mm beige brown, RAL 8024
25.902.08	18 mm anthracite grey RAL 7016	25.904.05	22 mm silver
25.902.09	18 mm cream white	25.904.30	22 mm stainless steel look*
25.902.30	18 mm stainless steel look*		
25.903.01	20 mm white		

Safeguard against lifting out for external installation

25.297.01	for 16 mm eurogroove
25.297.02	for 20 mm eurogroove

Spacer plates and accessories

25.297.11	U-plate 1 mm, white
25.297.13	U-plate 1 mm, black
25.297.14	U-plate 1 mm, beige brown RAL 8024
25.297.21	U-plate 2 mm, white
25.297.23	U-plate 2 mm, black
25.297.24	U-plate 2 mm, beige brown RAL 8024
25.297.25	U-plate 2 mm, silver
25.297.31	U-plate 3 mm, white
25.297.33	U-plate 3 mm, black
25.297.34	U-plate 3 mm, beige brown RAL 8024
25.297.35	U-plate 3 mm, silver
25.296.02	spacer plate alu 5 mm (applicable only with U-plate)
25.296.03	spacer plate alu 4 mm (applicable only with U-plate)

93.610.844	Allen screw M4x10 mm, alternative screwing of steel covers
93.617.255	Allen screw M4x12 mm, alternative screwing of steel covers

wintec® WD-screw, special length

41.240.63	6,3 x 38 mm, Torx
41.240.64	6,3 x 50 mm, Torx
41.240.73	6,3 x 45 mm, allen key
41.240.74	6,3 x 55 mm, allen key
41.240.75	6,3 x 60 mm, allen key
41.240.76	6,3 x 70 mm, allen key

Jigs

25.604.30	jig
25.605.30	telescopic jig with angle, 3-fold installation instructions m-tec IIIs

2A

2B

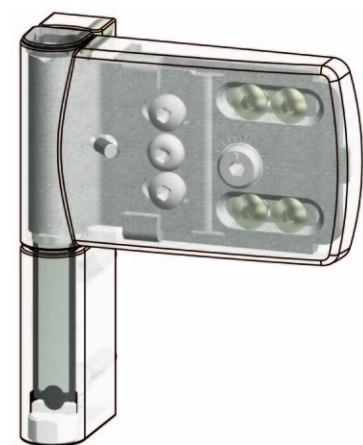
2C

2D

2E

2F

3



The m-tec IIIs steel door hinge

is a special hinge for PVC house door constructions.

- width adjustment
- controllable height adjustment
- 2x3 mm compression adjustment via an adjusting screw +/- 1 mm and via the excentric axle +/- 0,5 mm
- a patented ball-bearing centering device
- prevents any tilting of the casement
- 120 kg carrying capacity DIN EN 1935
- one drilling size
- one screw size
- non-handed
- metal designer cover cap
- Boxed qty: 12 pieces

Overlap height		Overlap height	
25.911.01	16 mm white	25.913.09	20 mm cream white
25.911.03	16 mm brown	25.913.30	20 mm stainless steel look*
25.911.05	16 mm silver*	25.915.01	22 mm white
25.912.01	18 mm white	25.915.03	22 mm brown
25.912.03	18 mm brown	25.915.04	22 mm beige brown, RAL 8024
25.912.04	18 mm beige brown, RAL 8024	25.915.05	22 mm silver
25.912.05	18 mm silver	25.915.30	22 mm stainless steel look*
25.912.30	18 mm stainless steel look		
25.913.01	20 mm white		
25.913.03	20 mm brown		
25.913.04	20 mm beige brown, RAL 8024		
25.913.05	20 mm silver*		

Safeguard against lifting out for external installation

- 25.297.01 for 16 mm eurogroove
- 25.297.02 for 20 mm eurogroove

Spacer plates and accessories

- 25.297.11 U-plate 1 mm, white
- 25.297.13 U-plate 1 mm, black
- 25.297.14 U-plate 1 mm, beige brown, RAL 8024
- 25.297.21 U-plate 2 mm, white
- 25.297.23 U-plate 2 mm, black
- 25.297.24 U-plate 2 mm, beige brown, RAL 8024
- 25.297.25 U-plate 2 mm, silver
- 25.297.31 U-plate 3 mm, white
- 25.297.33 U-plate 3 mm, black
- 25.297.34 U-plate 3 mm, beige brown, RAL 8024
- 25.297.35 U-plate 3 mm, silver
- 25.296.02 spacer plate alu 5 mm (applicable only with U-plate)
- 25.296.03 spacer plate alu 4 mm (applicable only with U-plate)

- 93.610.844 Allen screw M4x10 mm, alternative screwing of steel covers
- 93.617.255 Allen screw M4x12 mm, alternative screwing of steel covers

wintec® WD-screws, special lengths

- 41.240.63 6,3 x 38 mm, Torx
- 41.240.64 6,3 x 50 mm, Torx
- 41.240.73 6,3 x 45 mm, allen key
- 41.240.74 6,3 x 55 mm, allen key
- 41.240.75 6,3 x 60 mm, allen key
- 41.240.76 6,3 x 70 mm, allen key

Jigs

- 25.604.40 jig
- 25.605.40 telescopic jig with angle, 3-fold installation instructions m-tec IIIs

2A

2B

2C

2D

2E

2F

3



m-tec RB Butt hinge for PVC Doors

- Material: Aluminum
- Universal for both left and right hand doors
- Attractive slimline-look
- Door weight up to 100 kg – certified according to DIN EN 1935 – class 12
- 3 dimension adjustable
 - +/- 3,0 mm horizontal adjustment
 - +5/-1 mm height adjustment
 - +/- 0,8 mm locking pressure
- Same drill diameter for pin and screw holes
- All adjustments with 4mm allen key
- A patented ball-bearing centering device prevents any tilting of the casement
- Maintenance-free Teflon-coated bearings
- Packaging unit: 3 pieces

m-tec RB Butt hinge for profile axis 13 mm/ eurogroove measurement 16 mm

25.530.01	powder-coated white RAL 9016
25.530.03	powder-coated brown RAL 8019
25.530.04	powder-coated brown beige RAL 8024
25.530.09	powder-coated creme white RAL 9001
25.530.10	anodised silver EV1
25.530.80	anodised Inoxal – stainless steel look

m-tec RB Butt hinge for profile axis 9 mm/ eurogroove measurement 16 mm

25.531.01	powder-coated white RAL 9016
25.531.03	powder-coated brown RAL 8019
25.531.04	powder-coated brown beige RAL 8024
25.531.09	powder-coated creme white RAL 9001
25.531.10	anodised silver EV1
25.531.80	anodised Inoxal – stainless steel look

m-tec RB Butt hinge for profile axis 13 mm/ eurogroove measurement 20 mm

25.532.01	powder-coated white RAL 9016
25.532.03	powder-coated brown RAL 8019
25.532.04	powder-coated brown beige RAL 8024
25.532.09	powder-coated creme white RAL 9001
25.532.10	anodised silver EV1
25.532.80	anodised Inoxal – stainless steel look

Jigs

25.606.10	m-tec RB jig, eurogroove measurement 16 mm
25.606.11	m-tec RB jig, eurogroove measurement 20 mm
25.606.20	m-tec RB installation instructions, 16 mm, 20 mm eurogroove measurement

2A

2B

2C

2D

2E

2F

3



m-tec RB Butt hinge for PVC Doors

- Material: Aluminum
- Universal for both left and right hand doors
- Attractive slimline-look
- Door weight up to 100 kg – certified according to DIN EN 1935 – class 12
- 3 dimension adjustable
 - +/- 3,0 mm horizontal adjustment
 - +5/-1 mm height adjustment
 - +/- 0,8 mm locking pressure
- Same drill diameter for pin and screw holes
- All adjustments with 4mm allen key
- A patented ball-bearing centering device prevents any tilting of the casement
- Maintenance-free Teflon-coated bearings
- Packaging unit: 3 pieces

m-tec RB Butt hinge for profile axis 15,6 mm/ eurogroove measurement 24 mm

25.533.01	powder-coated white RAL 9016
25.533.03	powder-coated brown RAL 8019
25.533.04	powder-coated brown beige RAL 8024
25.533.09	powder-coated creme white RAL 9001
25.533.10	anodised silver EV1
25.533.80	anodised Inoxal – stainless steel look

m-tec RB Butt hinge for profile axis 13 mm/ eurogroove measurement 16L mm, flat groove

25.534.01	powder-coated white RAL 9016
25.534.03	powder-coated brown RAL 8019
25.534.04	powder-coated brown beige RAL 8024
25.534.09	powder-coated creme white RAL 9001
25.534.10	anodised silver EV1
25.534.80	anodised Inoxal – stainless steel look

Jigs

25.606.12	m-tec RB jig, eurogroove measurement 24 mm
25.606.13	m-tec RB jig, eurogroove measurement 16L mm, flat groove
25.606.20	m-tec RB installation instructions, 16 mm, 20 mm eurogroove measurement
25.606.22	m-tec RB installation instructions 24 mm eurogroove measurement

2A

2B

2C

2D

2E

2F

3

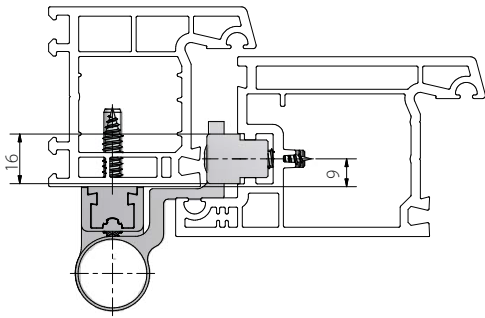
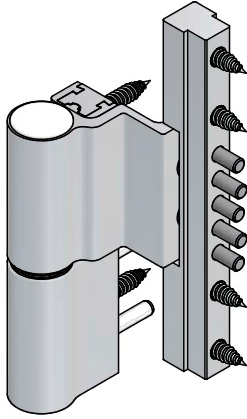
m-tec RB Butt hinge for PVC Doors

Door-Technology

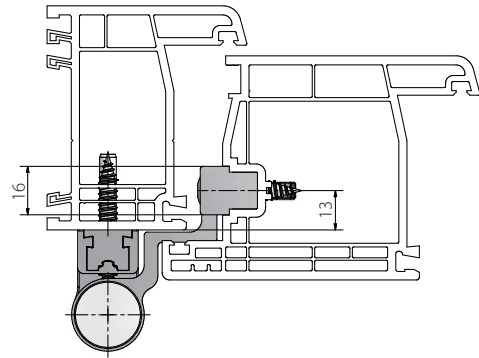
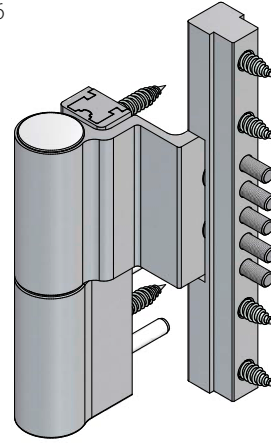
2-D-0102

1

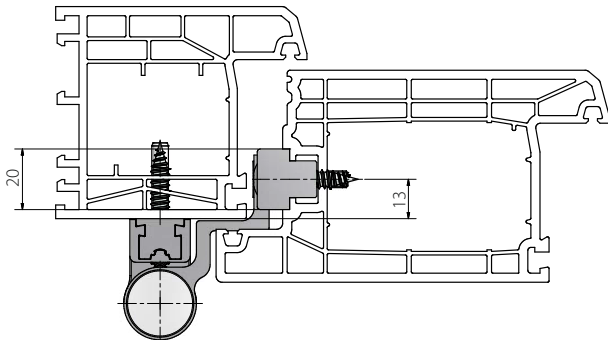
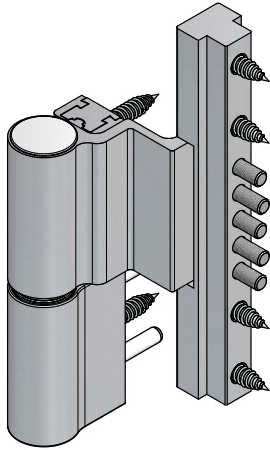
m-tec RB 9/16



m-tec RB 13/16



m-tec RB 13/20



2A

2B

2C

2D

2E

2F

3

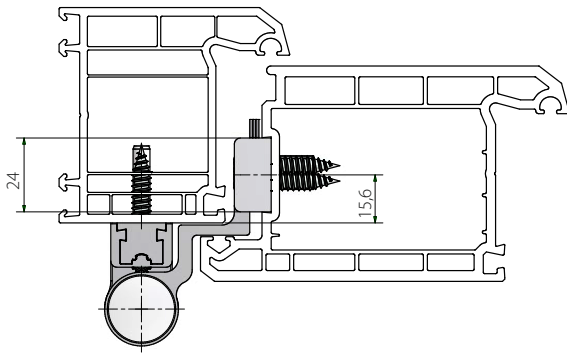
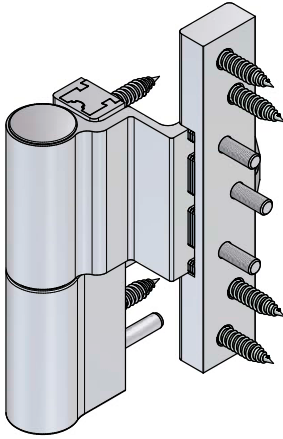
m-tec RB Butt hinge for PVC Doors

Door-Technology

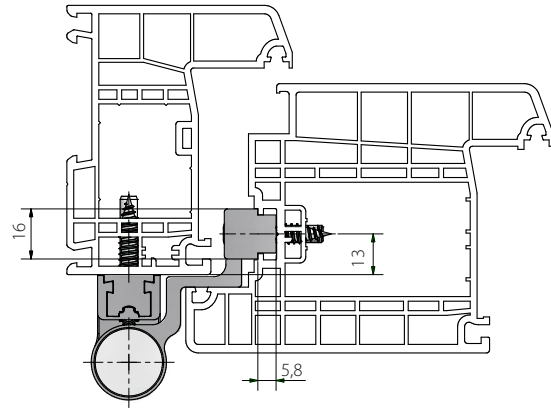
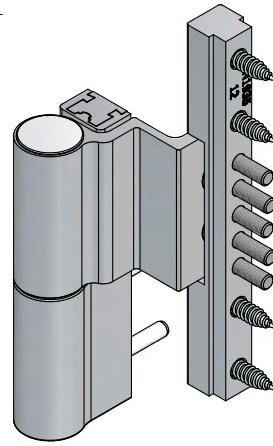
2-D-0103

1

m-tec RB 15,6/24



m-tec RB 13/16L



2A

2B

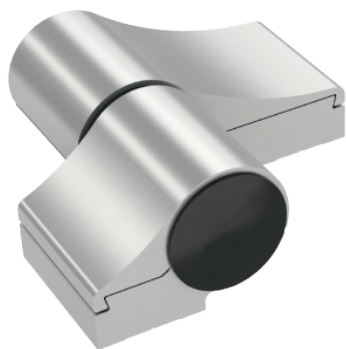
2C

2D

2E

2F

3



MTR-AII door hinge for aluminium doors

- Material: Aluminium
- Surface: Powder coated
- non handed
- certified according to DIN EN 1935
 - Class 14 - 160 kg
- Adjustable in 3 dimensions
 - + 3/- 2 mm height adjustment
 - +/- 0,5 mm locking pressure
 - +/- 2,5 mm horizontal adjustment

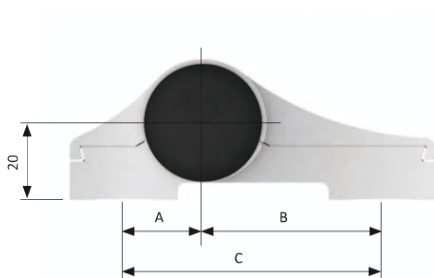
■ maintenance-free bearings

■ mounting kits must be ordered separately

■ Packaging unit: 1 piece

60 mm = dimension C (20,5 mm = dimension A · 39,5 mm = dimension B)

- 25.581.103 white RAL 9016
- 25.581.102 grey brown RAL 8019
- 25.581.101 silver
- 25.581.110 titanium
- 25.581.150 black RAL 9005
- 25.581.130 stainless steel look Inoxal anodized
- 25.581.131 EV1 anodized



67 mm = dimension C (20,5 mm = dimension A · 46,5 mm = dimension B)

- 25.581.203 white RAL 9016
- 25.581.202 grey brown RAL 8019
- 25.581.201 silver
- 25.581.210 titanium
- 25.581.250 black RAL 9005
- 25.581.230 stainless steel look Inoxal anodized
- 25.581.231 EV1 anodized



86 mm = dimension C (39,5 mm = dimension A · 46,5 mm = dimension B)

- 25.581.303 white RAL 9016
- 25.581.302 grey brown RAL 8019
- 25.581.301 silver
- 25.581.310 titanium
- 25.581.350 black RAL 9005
- 25.581.330 stainless steel look Inoxal anodized
- 25.581.331 EV1 anodized

93 mm = dimension C (46,5 mm = dimension A · 46,5 mm = dimension B)

- 25.581.403 white RAL 9016
- 25.581.402 grey brown RAL 8019
- 25.581.401 silver
- 25.581.410 titanium
- 25.581.450 black RAL 9005
- 25.581.430 stainless steel look Inoxal anodized
- 25.581.431 EV1 anodized

2A

2B

2C

2D

2E

2F

3



MTR-AIII door hinge for aluminium doors

- Material: Aluminium
- Surface: Powder coated
- non handed
- certified according to DIN EN 1935
 - Class 14 - 160 kg
- Adjustable in 3 dimensions
 - +/- 2 mm height adjustment
 - +/- 0,5 mm locking pressure
 - +/- 2,5 mm horizontal adjustment

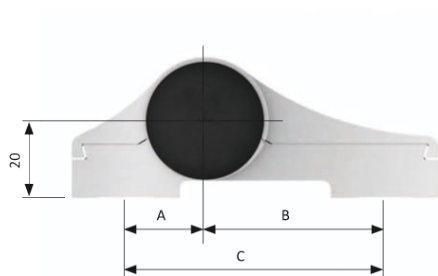
■ maintenance-free bearings

■ mounting kits must be ordered separately

■ Packaging unit: 1 piece

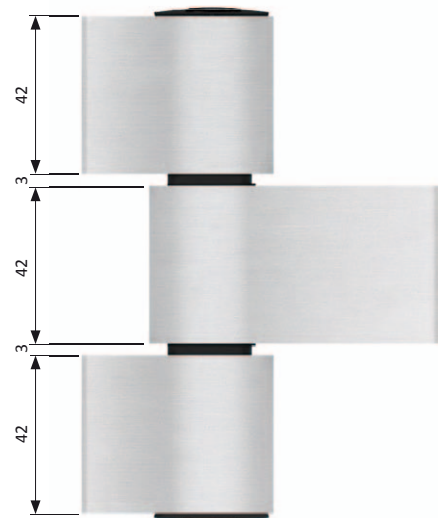
60 mm = dimension C (20,5 mm = dimension A · 39,5 mm = dimension B)

- 25.582.103 white RAL 9016
- 25.582.102 grey brown RAL 8019
- 25.582.101 silver
- 25.582.110 titanium
- 25.582.150 black RAL 9005
- 25.582.130 stainless steel look Inoxal anodized
- 25.582.131 EV1 anodized



67 mm = dimension C (20,5 mm = dimension A · 46,5 mm = dimension B)

- 25.582.203 white RAL 9016
- 25.582.202 grey brown RAL 8019
- 25.582.201 silver
- 25.582.210 titanium
- 25.582.250 black RAL 9005
- 25.582.230 stainless steel look Inoxal anodized
- 25.582.231 EV1 anodized



86 mm = dimension C (39,5 mm = dimension A · 46,5 mm = dimension B)

- 25.582.303 white RAL 9016
- 25.582.302 grey brown RAL 8019
- 25.582.301 silver
- 25.582.310 titanium
- 25.582.350 black RAL 9005
- 25.582.330 stainless steel look Inoxal anodized
- 25.582.331 EV1 anodized

93 mm = dimension C (46,5 mm = dimension A · 46,5 mm = dimension B)

- 25.582.403 white RAL 9016
- 25.582.402 grey brown RAL 8019
- 25.582.401 silver
- 25.582.410 titanium
- 25.582.450 black RAL 9005
- 25.582.430 stainless steel look Inoxal anodized
- 25.582.431 EV1 anodized

2A

2B

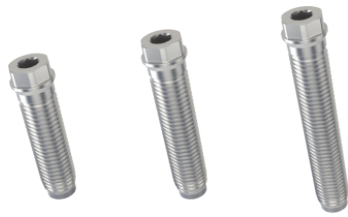
2C

2D

2E

2F

3



A12 x 50 mm A12 x 60 mm A12 x 70 mm

MTR-A Mounting screw MS

■ for Profiles with thermal break

■ Packaging unit: 100 pieces

- 25.580.011 Mounting screw A12 x 50 mm
- 25.580.012 Mounting screw A12 x 60 mm
- 25.580.013 Mounting screw A12 x 70 mm

MTR-A Mounting screw MS

■ for Profiles with thermal break

■ Sets for All + AIII

■ Packaging unit: 1 Set

- 25.580.001 Mounting screw A12 x 50 mm (Set of 4 pieces for All)
- 25.580.002 Mounting screw A12 x 60 mm (Set of 4 pieces for All)
- 25.580.003 Mounting screw A12 x 70 mm (Set of 4 pieces for All)
- 25.580.004 Mounting screw A12 x 50 mm (Set of 6 pieces for AIII)
- 25.580.005 Mounting screw A12 x 60 mm (Set of 6 pieces for AIII)
- 25.580.006 Mounting screw A12 x 70 mm (Set of 6 pieces for AIII)



All AIII M8 x 38 mm

MTR-A Mounting plate MP

■ for Profiles without thermal break

■ Packaging unit: 24 Sets

- 25.580.031 Mounting plate All
(48 pieces Mounting plate All + 96 pieces screw M8 x 38)
- 25.580.032 Mounting plate AIII
(24 pieces Mounting plate All + 24 pieces Mounting plate AIII +
144 pieces screw M8 x 38)

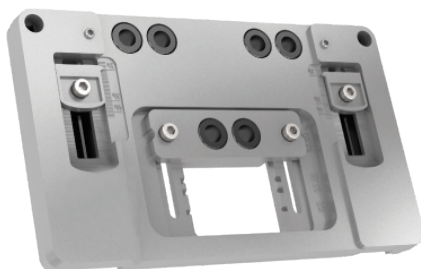
MTR-A Mounting plate MP

■ or Profiles without thermal break

■ Sets for All + AIII

■ Packaging unit: 1 Set

- 25.580.021 Mounting plate All
(2 pieces Mounting plate All + 4 pieces screw M8 x 38)
- 25.580.022 Montageplatte AIII
(1 piece Mounting plate All + 1 piece Mounting plate AIII +
6 pieces screw M8 x 38)



MTR-A jig

■ Universal jig adjustable for all hinge versions

■ Adapter for profile gap distance

2/3,5/4/5 mm enclosed

■ Packaging unit: 1 piece

- 25.580.000 jig MTR All + AIII

2A

2B

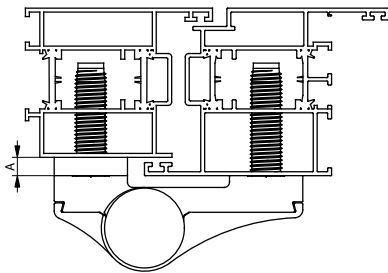
2C

2D

2E

2F

3



Spacer plate MS

- Material: Aluminium
- Surface: Powder coated
- when using mounting screws (MS)

■ Packaging unit: 1 piece

5 mm = dimension A

- 25.583.103 white RAL 9016
- 25.583.102 grey brown RAL 8019
- 25.583.101 silver
- 25.583.110 titanium
- 25.583.150 black RAL 9005

7 mm = dimension A

- 25.583.203 white RAL 9016
- 25.583.202 grey brown RAL 8019
- 25.583.201 silver
- 25.583.210 titanium
- 25.583.250 black RAL 9005

8 mm = dimension A

- 25.583.303 white RAL 9016
- 25.583.302 grey brown RAL 8019
- 25.583.301 silver
- 25.583.310 titanium
- 25.583.350 black RAL 9005

8,5 mm = dimension A

- 25.583.403 white RAL 9016
- 25.583.402 grey brown RAL 8019
- 25.583.401 silver
- 25.583.410 titanium
- 25.583.450 black RAL 9005

10 mm = dimension A

- 25.583.503 white RAL 9016
- 25.583.502 grey brown RAL 8019
- 25.583.501 silver
- 25.583.510 titanium
- 25.583.550 black RAL 9005

2A

2B

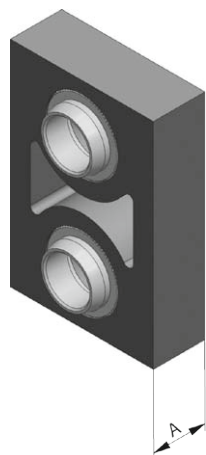
2C

2D

2E

2F

3



Spacer plate MP

- Material: Aluminium
- Surface: Powder coated
- when using mounting plates (MP)

■ Packaging unit: 1 piece

5 mm = dimension A

25.584.103	white RAL 9016
25.584.102	grey brown RAL 8019
25.584.101	silver
25.584.110	titanium
25.584.150	black RAL 9005

7 mm = dimension A

25.584.203	white RAL 9016
25.584.202	grey brown RAL 8019
25.584.201	silver
25.584.210	titanium
25.584.250	black RAL 9005

8 mm = dimension A

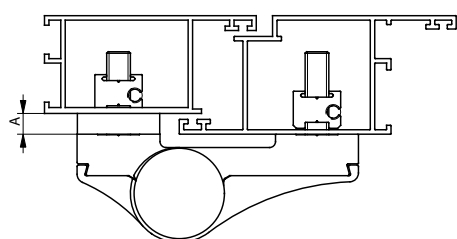
25.584.303	white RAL 9016
25.584.302	grey brown RAL 8019
25.584.301	silver
25.584.310	titanium
25.584.350	black RAL 9005

8,5 mm = dimension A

25.584.403	white RAL 9016
25.584.402	grey brown RAL 8019
25.584.401	silver
25.584.410	titanium
25.584.450	black RAL 9005

10 mm = dimension A

25.584.503	white RAL 9016
25.584.502	grey brown RAL 8019
25.584.501	silver
25.584.510	titanium
25.584.550	black RAL 9005



2A

2B

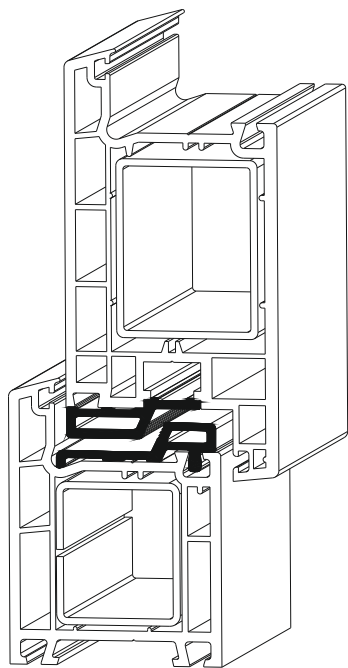
2C

2D

2E

2F

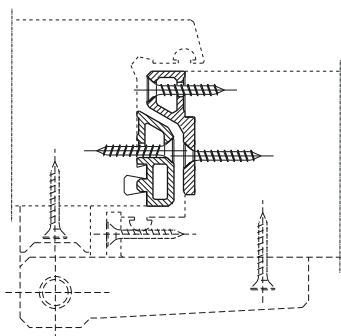
3



Hinge protector for PVC doors requiring an increased level of security (ET1 and ET2). The two piece security device (white coated aluminium) prevents the lifting out of the casement. Adjustment of the casement via the hinges is not affected.

Length: 2.100 mm
 ■ Boxed qty.: 1 piece

- | | |
|-----------|--|
| 17.706.02 | Gealan 3000, Helmitin KSL, white |
| 17.706.04 | Gealan 3000, Helmitin KSL, black |
| 17.702.02 | KöAV inside, white |
| 17.702.03 | KöAV inside, brown |
| 17.702.04 | KöAV inside, black |
| 17.802.05 | KöAV outside, white |
| 17.802.06 | KöAV outside, brown |
| 17.802.07 | KöAV outside, black |
| 17.704.02 | Salamander inside, white |
| 17.704.04 | Salamander inside, black |
| 17.705.02 | Thyssen L60, H40, KöAV, white |
| 17.705.04 | Thyssen L60, H40, KöAV, black |
| 17.703.02 | Veka Softline, Aluplast, KöVS, Rehau S 730/ 735, white |
| 17.703.04 | Veka Softline, Aluplast, KöVS, Rehau S 730/ 735, black |
| 17.703.05 | Veka Topline, black |
| 17.703.06 | Veka Topline, white |



2A

2B

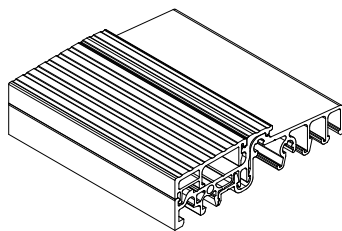
2C

2D

2E

2F

3



TGB - Thermal Break Threshold

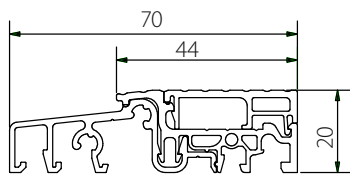
for residential and balcony doors

- Material: Aluminium EV1 anodized plastic RAL 7035
- Barrier-free according to DIN 18040
- Thermal break
- Intake for keeps for tilt and turn door and double leaf doors
- Covered screw fixing
- Substruction profile clippable

Length: 5.000 mm

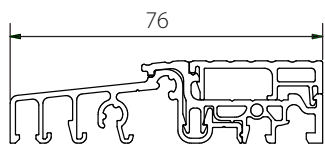
Height: 20 mm

■ Boxed qty.: 20 m



TGB - Threshold

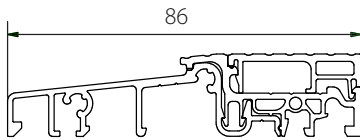
68.901.101	EV1 / RAL 7035	70 mm
68.901.102	EV1 / RAL 7035	76 mm
68.901.103	EV1 / RAL 7035	86 mm
68.901.104	EV1 / RAL 7035	92 mm



Length: 2.400 mm

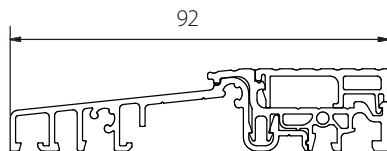
Height: 20 mm

■ Boxed qty.: 2,4 m



TGB - Threshold

68.901.201	EV1 / RAL 7035	70 mm
68.901.202	EV1 / RAL 7035	76 mm
68.901.203	EV1 / RAL 7035	86 mm
68.901.204	EV1 / RAL 7035	92 mm



2A

2B

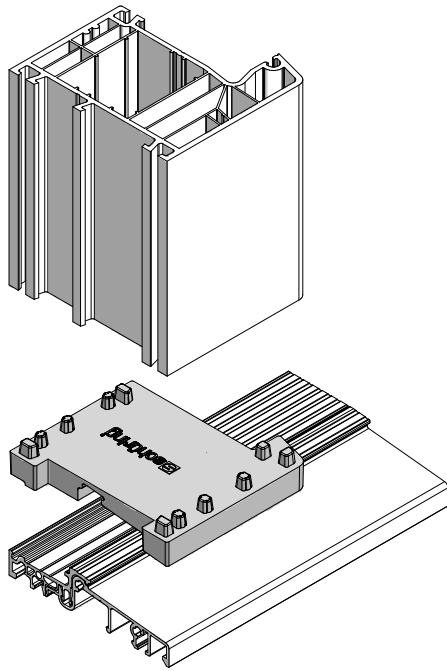
2C

2D

2E

2F

3



Threshold adapter blind frame,
the ideal combination of the blind frame with
thermal break threshold.

■ Boxed qty.: 20 pieces

	Profile system	Profile number
68.903.001	Aluplast 4000	Ra: 140 x 02/140 x 03, right
68.903.002	Aluplast 4000	Ra: 140 x 02/140 x 03, left
68.903.005	Kömmerling Classic	Ra: 2501/2502, right
68.903.006	Kömmerling Classic	Ra: 2501/2502, left
68.903.010	Kömmerling 76 AD	Ra: 76101/76102, right
68.903.011	Kömmerling 76 AD	Ra: 76101/76102, left
68.903.012	Inoutic Prestige	Ra: L176/L276, right
68.903.013	Inoutic Prestige	Ra: L176/L276, left
68.903.014	Trocal 88+	Ra: 810100/810200, right
68.903.015	Trocal 88+	Ra: 810100/810200, left
68.903.016	Rehau Geneo	Ra: 532015/532305, right
68.903.017	Rehau Geneo	Ra: 532015/532305, left
68.903.018	Rehau S799	Ra: 550000/550010, right
68.903.019	Rehau S799	Ra: 550000/550010, left
68.903.022	Veka Softline 70 AD	Ra: 101.208/101.214, right
68.903.023	Veka Softline 70 AD	Ra: 101.208/101.214, left
68.903.024	Salamander Streamline	Ra: 250.220/250.230, right
68.903.025	Salamander Streamline	Ra: 250.220/250.230, left
68.903.030	Veka Softline 70 AD	Ra: 101.215/101.207, right
68.903.031	Veka Softline 70 AD	Ra: 101.215/101.207, left
68.903.032	Gealan 8000	Ra: 8008/8011/8013/8014, right
68.903.033	Gealan 8000	Ra: 8008/8011/8013/8014, left
68.903.039	Aluplast 5000	Ra: 150 x 02/150 x 03/150 x 04, right
68.903.040	Aluplast 5000	Ra: 150 x 02/150 x 03/150 x 04, left
68.903.043	Internova 6000	Ra: GR 6000, right
68.903.044	Internova 6000	Ra: GR 6000, left
68.903.047	Kömmerling 88+	Ra: 6201/6202, right
68.903.048	Kömmerling 88+	Ra: 6201/6202, left
68.903.072	Winsa Dorado	Ra: 10100/10101, right
68.903.073	Winsa Dorado	Ra: 10100/10101, left
68.903.074	Winsa Dorado	Ra: 10102, right
68.903.075	Winsa Dorado	Ra: 10102, left
68.903.076	Inoutic Arcade	Ra: LA7160/D, right
68.903.077	Inoutic Arcade	Ra: LA7160/D, left
68.903.078	KBE 70 AD	Ra: 370/372 right
68.903.079	KBE 70 AD	Ra: 370/372, left

Other versions on request.

2A

2B

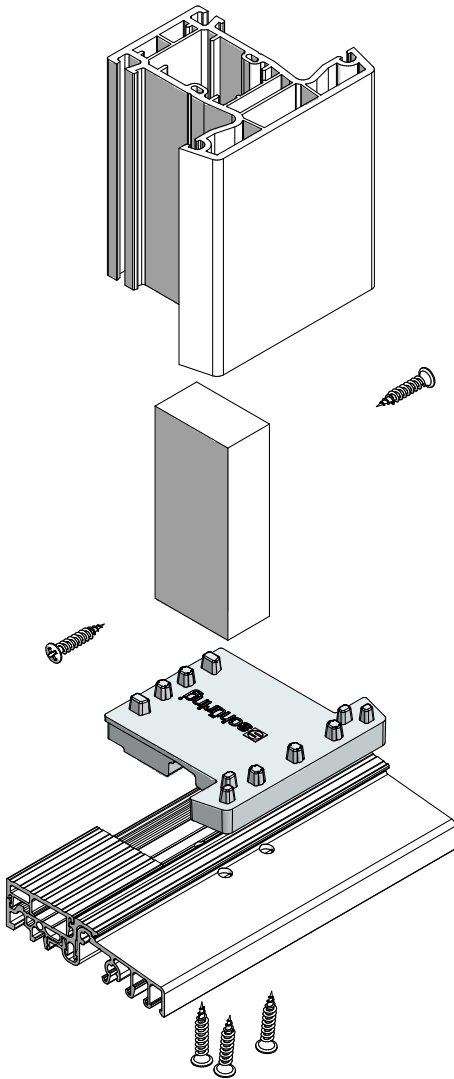
2C

2D

2E

2F

3



Threshold adapter for door post

the ideal combination of the Setzpfosten with thermal break threshold.

■ Boxed qty.: 20 pieces

Profile system

Profile number

Other versions on request.

2A

2B

2C

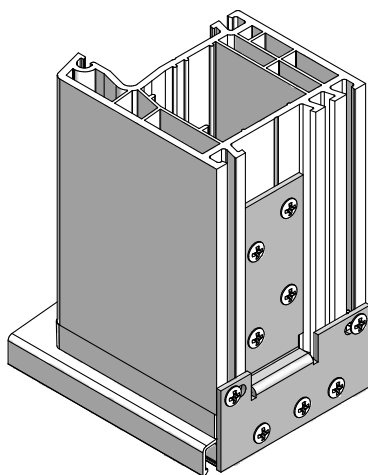
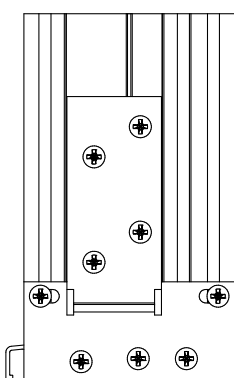
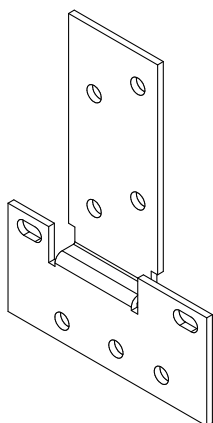
2D

2E

2F

3

Schüring **PLUS**



The metal threshold connector is the ideal method of joining the blind frame to the thermal break threshold.

■ Boxed qty.: 20 pieces

Profile system

- 68.902.001 Aluplast 4000, 5000 / Inoutic Elite / Internova 6000, left
- 68.902.002 Aluplast 4000, 5000 / Inoutic Elite / Internova 6000, right
- 68.902.003 Gealan 7000, 8000 / Kömmerling Classic, Elegance, MD70, left
- 68.902.004 Gealan 7000, 8000 / Kömmerling Classic, Elegance, MD70, right
- 68.902.005 Rehau S799 / Inoutic Prestige, left
- 68.902.006 Rehau S799 / Inoutic Prestige, right
- 68.902.007 Salamander 2D, left
- 68.902.008 Salamander 2D, right
- 68.902.009 Salamander 3D, Streamline, left
- 68.902.010 Salamander 3D, Streamline, right
- 68.902.011 Rehau S730, left
- 68.902.012 Rehau S730, right
- 68.902.013 Rehau Geneo, Euro 86, left
- 68.902.014 Rehau Geneo, Euro 86, right
- 68.902.015 Kömmerling 76 AD, left
- 68.902.016 Kömmerling 76 AD, right
- 68.902.017 Veka Softline, Topline, left
- 68.902.018 Veka Softline, Topline, right
- 68.902.019 Trocal 88+ / Kömmerling 88+, left
- 68.902.020 Trocal 88+ / Kömmerling 88+, right
- 68.902.021 Aluplast 7000, 8000, left
- 68.902.022 Aluplast 7000, 8000, right
- 68.902.023 Veka Softline 82 MD, left
- 68.902.024 Veka Softline 82 MD, right
- 68.902.025 KBE 70 AD / Profialis, left
- 68.902.026 KBE 70 AD / Profialis, right
- 68.902.027 Gealan S3000 / KBE 58 AD, left
- 68.902.028 Gealan S3000 / KBE 58 AD, right
- 68.902.029 Kömmerling 3S, AV, Gold, left
- 68.902.030 Kömmerling 3S, AV, Gold, right
- 68.902.031 Aluplast 2000 / Schüco Corona, left
- 68.902.032 Aluplast 2000 / Schüco Corona, right
- 68.902.033 Schüco CT70 / Deceuninck 3000, left
- 68.902.034 Schüco CT70 / Deceuninck 3000, right
- 68.902.035 Winsa Dorado 10102, left
- 68.902.036 Winsa Dorado 10102, right

Other versions on request.

2A

2B

2C

2D

2E

2F

3

The thermal break threshold has been designed in accordance with the requirements of the energy saving regulations (EnEv). This is a two-component construction of PVC/aluminium. The total height of 20 mm can be doubled by applying additional profiles. The sealing adapters, suitable for the applicable profile system, are supplied for connection to the door frame.

Apart from ensuring perfect sealing they also compensate torsion forces.

The Sill is a highly resilient structural element and can be fitted with an additional sealing profile.

Length: 5.000 mm

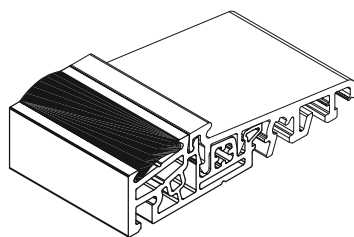
Height: 20 mm

■ Boxed qty.: 20 m

TG-Door Sill

Incl. sealing strip, width 76 mm

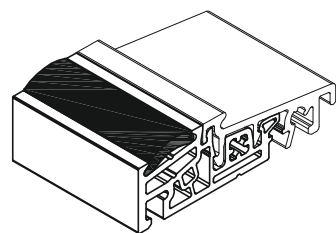
68.615.01 EV1



TG-Door Sill

Incl. sealing strip, width 62 mm

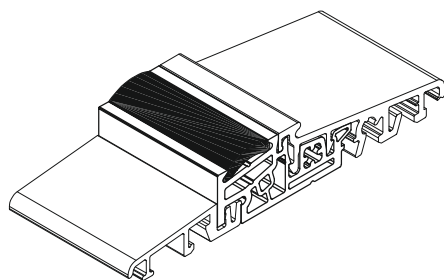
68.614.01 EV1



TG-Door Sill

Incl. sealing strip, width 106 mm for outward opening doors

68.615.20 EV1



2A

2B

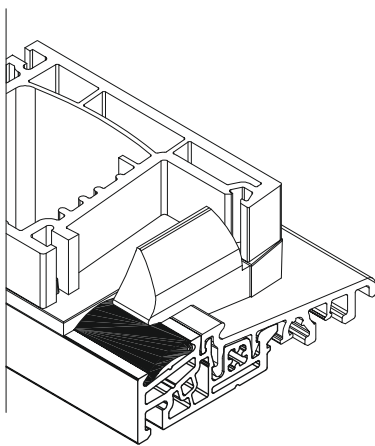
2C

2D

2E

2F

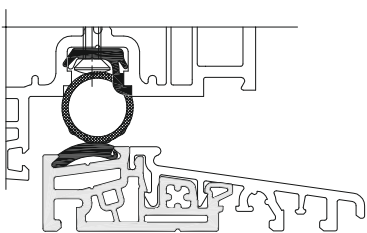
3



Sealing

■ Boxed qty: 1 piece

- 68.018.00 lateral universal, left
- 68.018.01 lateral universal, right
- 68.018.02 lateral Kömmerling, left
- 68.018.03 lateral Kömmerling, right

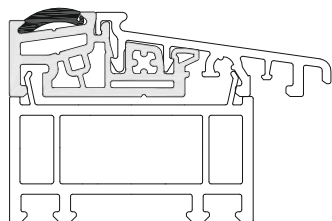


Counter-sealing

Length: 1.100 mm

■ Boxed qty: 20 Stück

- 68.021.01



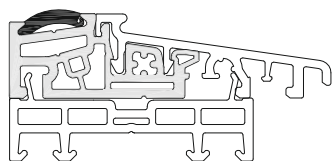
Additional profile

Width: 58 mm

Length: 6.500 mm

■ Boxed qty: 19,5 m

- 68.020.01 30/58



Additional profile

Width: 58 mm

Length: 6.500 mm

■ Boxed qty: 19,5 m

- 68.020.02 15/58

2A

2B

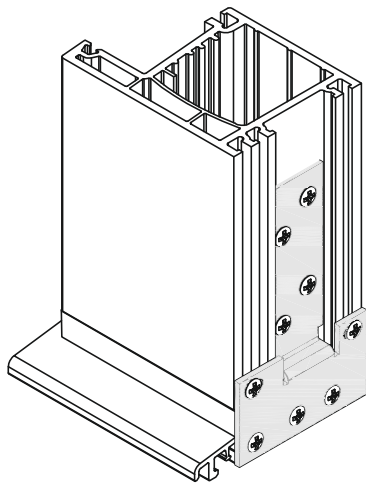
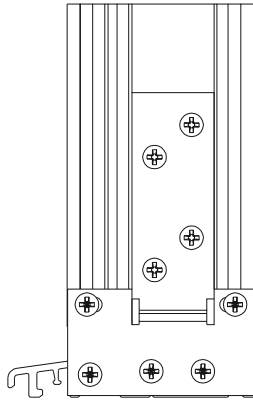
2C

2D

2E

2F

3



Threshold connector consists of:

- Connector right and left
- Adapter right and left

Assembly for one-piece sill:

Cut the frame profile straight, fix the sill by means of the adapter and screw on with the connector.

■ Boxed qty.: 20 Sets

Frames

68.728.01	Accord 7.0/ Dimex, frame3, frame4
68.701.01	Aluplast 2000, frame 120 002
68.701.02	Aluplast 2000, frame 120 003
68.702.02	Aluplast 4000, frame 140 003
68.729.01	Deceuninck 1800/ Uk, frame 1801
68.729.02	Deceuninck 3000, frame 3101
68.729.04	Deceuninck 3000, frame 3102
68.729.03	Gealan 8000, frame 8011, frame 8014
68.732.01	Internova 4000
68.706.01	KBE AD, frame 106/107
68.709.01	Kömmerling 3S, frame 1401
68.709.02	Kömmerling 3S, frame 1402
68.725.01	Kömmerling Euro AV Avangard, frame 3901
68.725.02	Kömmerling Euro AV Avangard, frame 3902
68.721.01	Kömmerling Euro Futur Classic, frame 2401/ 2402 (uni)
68.708.01	Kömmerling Euro Futur, frame 101
68.708.02	Kömmerling Euro Futur, frame 102
68.726.01	Kömmerling gold/ Uk, frame 1461
68.731.01	Kömmerling MD 70, frame 2600
68.731.02	Kömmerling MD 70, frame 2601
68.727.01	Kömmerling MPF, frame 1600
68.727.02	Kömmerling MPF, frame 1601
68.711.02	Rehau S730, frame 541 120 (76 mm)
68.722.02	Rehau Brillant, frame 550 015 (76 mm)
68.712.01	Roplasto 6001, frame610 104, 611 400, 619 003, 619 100
68.713.01	Roplasto 7001, frame210 800, 210 900
68.714.01	Salamander 2D, frame 210 020
68.714.02	Salamander 2D, frame 210.030
68.715.01	Salamander 3D, frame 110.220
68.715.02	Salamander Streamline, frame 250 220, frame 250 230 (uni)
68.712.02	Schüco Corona, frame 8205
68.715.03	Schüco Corona CT 70, frame 8564, frame 8568, frame 8570 (uni)
68.718.01	Trocal Innonova 70 MD, frame510 100, 510 200
68.718.02	Trocal Innonova 70 AD, frame610 100, 610 200
68.718.03	Trocal Confort, frame110 100, 110 200
68.717.01	Thyssen AD, frame L30, frame L60 (uni)
68.730.01	Thyssen Prestige, frame L176D, frame L676D
68.717.07	Thyssen Elite, frame NA 676
68.719.01	Veka Softline, frame 101 086
68.719.02	Veka Softline, frame 101 111
68.720.01	Veka Topline, frame 101 200
68.720.02	Veka Topline, frame 101 201

2A

2B

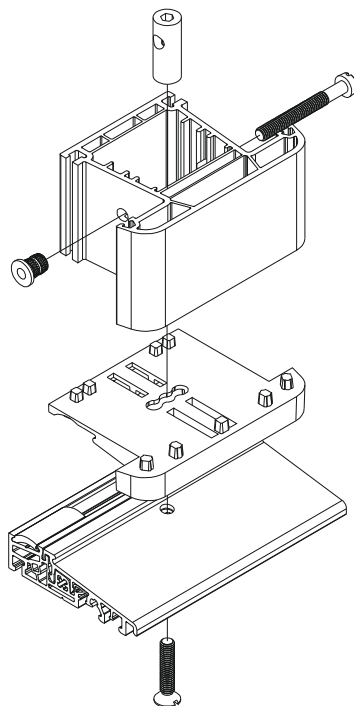
2C

2D

2E

2F

3



The threshold connector

is the ideal method of joining the door post to the door sill.

■ Boxed qty: 1 Set

Transom adapter, single-part

68.728.03	Accord 7.0/ Dimex, transom KA14 (105 mm)
68.728.02	Accord 7.0/ Dimex, transom KA 12 (85 mm)
68.709.03	Kömmerling 3S, transom 1422
68.709.04	Kömmerling 3S, transom 1423
68.725.03	Kömmerling Euro Avangard, transom 3922
68.725.04	Kömmerling Euro Avangard, transom 3923
68.721.02	Kömmerling Euro Futur Classic, transom 2422
68.721.03	Kömmerling Euro Futur Classic, transom 2423
68.708.05	Kömmerling Futur, transom 122
68.708.06	Kömmerling Futur, transom 123

Transom adapter, two-part pre-cut from 2 frame adapters

68.701.03	Aluplast 2000, transom 120 041
68.701.04	Aluplast 2000, transom 120 043
68.702.03	Aluplast 4000, transom 120 044
68.702.04	Aluplast 4000, transom 140 045
68.706.03	KBE AD, transom 132
68.711.03	Rehau S730, transom 541 050
68.722.03	Rehau Brillant, transom 550 020
68.714.03	Salamander 2D, transom 212 020
68.714.04	Salamander 2D, transom 212 030
68.714.05	Salamander 2D, transom 212 130
68.715.04	Salamander 3D, transom 212 220
68.716.03	Schüco Corona, transom 8111
68.716.04	Schüco Corona, transom 8216
68.716.05	Schüco Corona, transom 8109
68.717.03	Thyssen AD, transom T 50 (0170)
68.717.04	Thyssen AD, transom T100 (0117)
68.717.05	Thyssen AD, transom T200 (0139)
68.717.06	Thyssen AD, transom H 50 (9080)
68.719.03	Veka Softline, transom 102 087
68.720.03	Veka Topline, transom 102.200
68.720.04	Veka Topline, transom 102 202
68.720.05	Veka Topline, transom 102 207

2A

2B

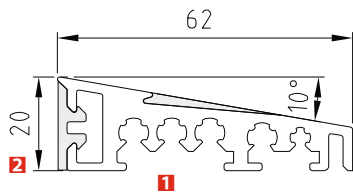
2C

2D

2E

2F

3



Threshold with a variety of installation possibilities.

of 10°. Screw on the sill. Laterally seal the drainage channel.

- Design Features:
Optimum sealing due to perfect surface fitting of the door sealant. No condensation formation. Profiled for rapid rain water drainage
- Assembly for fitted sill:
Sill is fixed laterally to frame profile. Profile the sill with a transom milling machine so that it fits between the frame profiles.
Connected by self-tapping screws.
- Assembly for a one-piece sill:
(Frame profile sits on the sill). Cut the bottom of the frame profile to an inclination

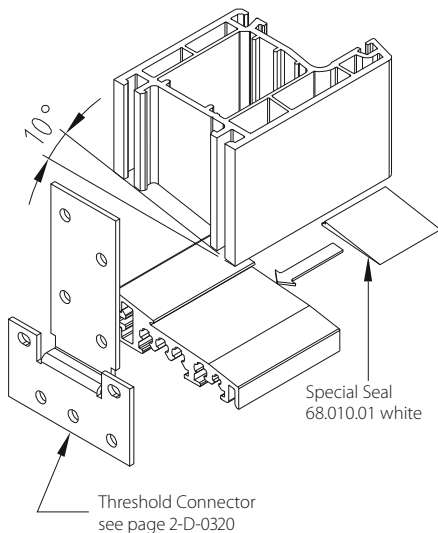
Width: 62 mm
 Length: 5.000 mm
 Height: 20 mm
 ■ Boxed qty: 5 and 20 m

68.006.01 1 EV1

PVC "clip-in" profile

Width: 2 mm
 Length: 5.000 mm
 Height: 19 mm
 ■ Boxed qty: 5 and 20 m

68.007.01 2 white
 68.007.02 2 brown



2A

2B

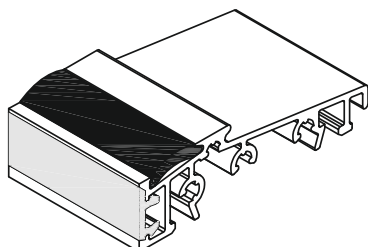
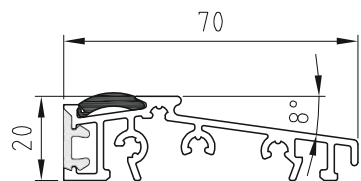
2C

2D

2E

2F

3



Threshold with variable mounting tread plate.

■ Design Features:

Optimum sealing due to perfect surface fitting of the door sealant. No condensation formation. Profiled for rapid rain water drainage.

Seal adapters, tailored to the individual profile systems, are supplied for connecting the threshold to the frame structure.

The threshold is connected to the frame structure by supplied seal adapters, tailored to the individual profile systems, which not only maintain excellent sealing, but also absorb torsional forces.

- TPE - saddle strip: black
Length: 5.000 mm
- PVC "clip-in" Profile white
Width: 1,8 mm
Length: 5.000 mm
Height: 14,6
- Door Sill
Width: 70 mm
Length: 5.000 mm
Height: 20 mm
- Boxed qty.: 5 and 20 m

68.613.01 EV1

2A

2B

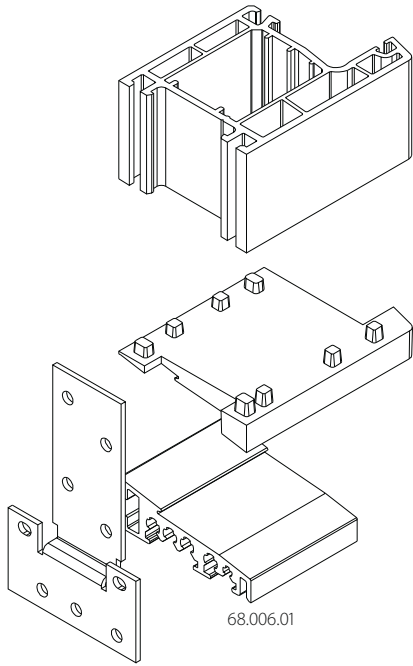
2C

2D

2E

2F

3



Threshold connector consists of:

- Connector right and left
- Adapter right and left

Assembly for one-piece sill:

Cut the frame profile straight, fix the sill by means of the adapter and screw on with the connector.

For threshold 20 mm inward opening (68.006.01 / see page 2-D-0310)

■ Boxed qty.: 1 piece

Threshold adapter

- 68.013.190 Kömmerling 3S Br. 1401, right
- 68.013.191 Kömmerling 3S Br. 1401, left
- 68.013.192 Kömmerling 3S Br. 1402, right
- 68.013.193 Kömmerling 3S Br. 1402, left

Threshold connector

- 68.301.030 Kömmerling 3S Br. 1401, right
- 68.301.031 Kömmerling 3S Br. 1401, left
- 68.301.030 Kömmerling 3S Br. 1402, right
- 68.301.031 Kömmerling 3S Br. 1402, left

2A

2B

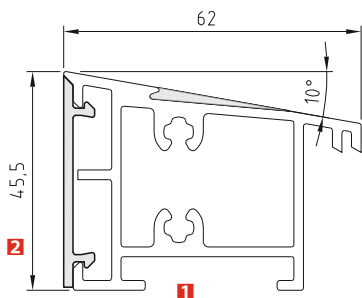
2C

2D

2E

2F

3



Threshold with a variety of installation possibilities.

■ Design Features:

Optimum sealing due to perfect surface fitting of the door sealant. No condensation formation. Profiled for rapid rain water drainage

■ Assembly for fitted sill:

Sill is fixed laterally to frame profile. Profile the sill with a transom milling machine so that it fits between the frame profiles.

Connected by self-tapping screws.

■ Assembly for a one-piece sill:

(Frame profile sits on the sill). Cut the bottom of the frame profile to an inclination of 10°. Screw on the sill. Laterally seal the drainage channel.

Width: 62 mm
 Length: 5.000 mm
 Height: 46 mm
 ■ Boxed qty.: 5 and 20 m

68.008.01 ■ EV1

PVC "clip-in" profile

Width: 2 mm
 Length: 5.000 mm
 Height: 45 mm
 ■ Boxed qty.: 5 and 20 m

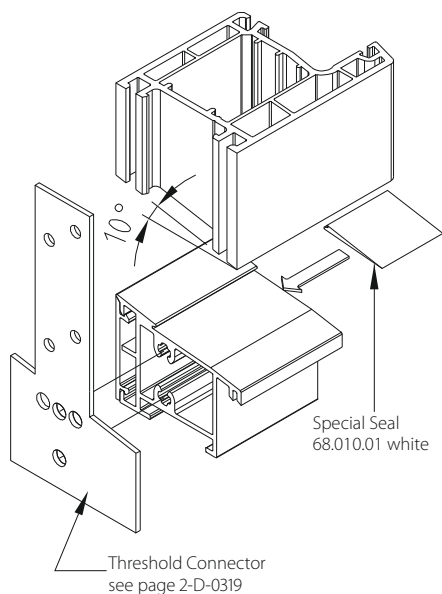
68.009.01 ■ white
 68.009.02 ■ brown

Accessories for assembly

Fixing lug for easy installation into the masonry.

Width: 26 mm
 Length: 160 mm
 Finish: zinc plated
 ■ Boxed qty.: 100 and 250 pieces

68.101.00



2A

2B

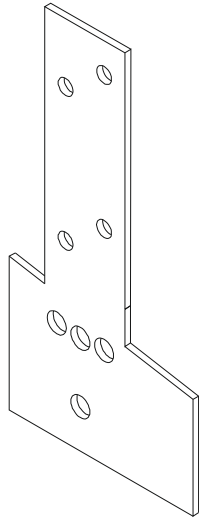
2C

2D

2E

2F

3



The threshold connector

is the ideal method of joining the frame to the threshold.

■ Boxed qty.: 1 and 50 pieces

68.301.01	Gealan 2000, Rehau Brillant
68.301.02	KBE AD
68.301.03	Kö3S, KöAV, Kögold UK, Plusplan
68.301.04	Rehau S 702
68.301.05	Salamander Uni.
68.301.06	Helmitin KSL, Rehau Thermo
68.301.07	Schüco Corona (Schnicks), Dimex Comfort
68.301.08	Thyssen AD
68.301.09	Veka Softline, Veka Topline, Schüco CT70
68.301.10	Rehau S 730, Rehau S 735
68.301.11	Brüggmann S 81
68.301.12	Trocal Comfort, Kö Futur, Plastmo Index
68.301.13	Gealan 3000
68.301.14	Deceuninck 2000
68.301.15	Aluplast 2000, LB PAD AL
68.301.16	Salamander 2D

2A

2B

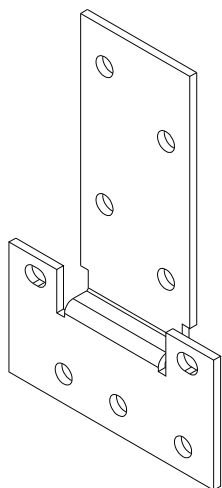
2C

2D

2E

2F

3



The threshold connector

is the ideal method of joining the frame to the threshold.

■ Boxed qty.: 1 and 50 pieces

68.301.184	Accord 70mm, right
68.301.185	Accord 70mm, left
68.301.070	Aluplast 2000, right
68.301.071	Aluplast 2000, left
68.301.180	Aluplast 4000, right
68.301.181	Aluplast 4000, left
68.301.170	Deceuninck Deeplas U, right
68.301.171	Deceuninck Deeplas U, left
68.301.184	Dimex 70mm, right
68.301.185	Dimex 70mm, left
68.301.020	KBE AD, right
68.301.021	KBE AD, left
68.301.030	Kömmerling 3S, right
68.301.031	Kömmerling 3S, left
68.301.030	Kömmerling AV, right
68.301.031	Kömmerling AV, left
68.301.120	Kömmerling Futur, right
68.301.121	Kömmerling Futur, left
68.301.100	Rehau S 730, right
68.301.101	Rehau S 730, left
68.301.182	Rehau Brillant, right
68.301.183	Rehau Brillant, left
68.301.160	Salamander 2D, right
68.301.161	Salamander 2D, left
68.301.190	Salamander 3D, right
68.301.191	Salamander 3D, left
68.301.070	Schüco Corona, right
68.301.071	Schüco Corona, left
68.301.080	Thyssen AD, right
68.301.081	Thyssen AD, left
68.301.090	Veka Softline, right
68.301.091	Veka Softline, left
68.301.090	Veka Topline, right
68.301.091	Veka Topline, left

2A

2B

2C

2D

2E

2F

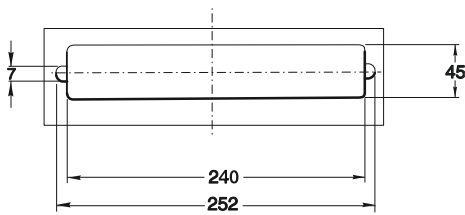
3



Access flap
with pull-out sleeve 40 – 75 mm.

Outside measurement: 270 x 80 mm
Aperture: 230 x 35 mm
Collar: 252 x 45 mm
■ Boxed qty.: 1 piece

- 20.100.10 inside white, outside EV1
- 20.100.30 white
- 20.100.50 C 34 dark bronze



Door holder
to be screwed onto the door leaf,
stroke 60 mm.

Length: 180 mm
Width: 32 mm
Depth: 32 mm
■ Boxed qty.: 1 piece

- 27.040.01 silver
- 27.040.02 brown
- 27.040.03 white
- 00.265.902 replacement rubber*

2A

2B

2C

2D

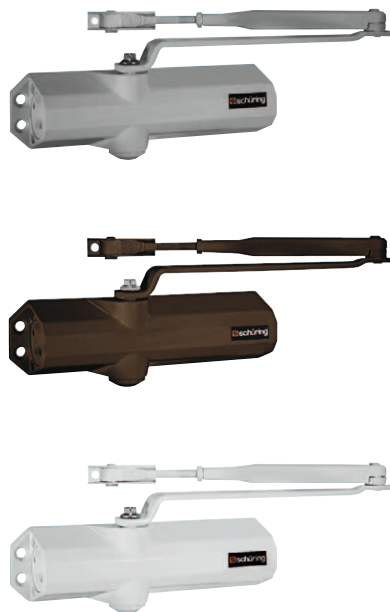
2E

2F

3



*on request.



Door closer MTS 140

universal application; non - handed for normal or transom mounting.

- with toothed gear and scissor-action arm
- closing force from 20 to 40 Nm
- regulating valve for closing speed and adjusting the closing force; adjustment is carried out from the side
- adjustable opening angle of 70° to 150°
- the closing force can be adjusted by relocation of the closer and by turning the bearing on the base of the arms

Door casement width: upto 1.100 mm

■ Boxed qty.: 1 piece

with hold-open arms

27.653.11	EV1
27.653.12	brown
27.653.13	white

2A

2B

2C

2D

2E

2F

3



1



2



3

Door closer Standard 210

with standard arms, universal application; non - handed for normal or transom mounting; 180° opening- and closing-angle.

- with toothed gear and scissor-action arm
- closing force from 20 to 40 Nm
- regulating valve for closing speed and adjusting the closing force; the adjustment of the valves is carried out from the front
- optionally available with hold-open arms with an adjustable opening angle of 70° to 150°
- adjustable opening angle of 70° to 150°
- thermomatic valves allow for a consistent closing function in the event of changes in temperature
- mounting plate with DIN standard hole pattern

- Door casement width: upto 1.100 mm
- Boxed qty: 1 piece

with standard arms

27.653.01	EV1
27.653.02	brown
27.653.03	white

with hold-open arms

27.654.01	1 EV1
27.654.02	2 brown
27.654.03	3 white

Mounting plates

27.052.21	EV1
27.052.22	brown
27.052.23	white

2A

2B

2C

2D

2E

2F

3



Door closer R/F 530

with hold-open arms**, universal application; non - handed for normal or transom mounting; 180° opening- and closing-angle.

- with toothed gear and scissor-action arm
- closing force from 15 to 60 Nm
- regulating valves for:
 - closing speed - red valve
 - adjusting closing force - yellow valve
 - closing delay - blue valve
 - backcheck - green valve
- adjustable opening angle of 70° to 150°
- thermomatic valves allow for a consistent closing function in the event of changes in temperature
- mounting plate with DIN standard hole pattern

- Door casement width: upto 1.250 mm
- Boxed qty: 1 piece

with hold-open arms

27.682.01	EV1*
27.682.02	brown*
27.682.03	white

Mounting plates

27.062.21	EV1
27.062.22	brown
27.062.23	white

2A

2B

2C

2D

2E

2F

3

** Should the 530 be used for fire and smoke prevention doors, a door closer with a controlled closing action in accordance with the DIN EN 1154 must be used (no fixed arms allowed)

* on request.



1



2



3

Door Closer L 630

universal application; non - handed for normal mounting on the hinged side, transom mounting on the non-hinged side. Normal mounting on the non-hinged side, transom mounting on the hinged side.

- with linear drive and guide rails
- closing force from 20 to 40 Nm
- regulating valves for closing speed and adjusting the closing force
- hold-open arms with an adjustable opening angle
- Thermomatic valves allow for a consistent closing function in the event of changes in temperature
- mounting plate with DIN standard hole pattern

Door casement width: upto 1.100 mm
 ■ Boxed qty: 1 piece

with linear drive and guide rails

- 27.672.01 **1** EV1
- 27.672.02 **2** brown*
- 27.672.03 **3** white

with linear drive, guide rails and mechanical hold-open device

- 27.671.01 EV1
- 27.671.02 brown*
- 27.671.03 white

Mounting plates

- 27.062.21 EV1
- 27.062.22 brown
- 27.062.23 white

2A

2B

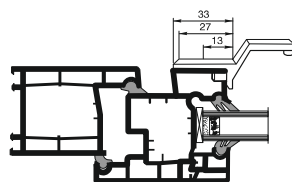
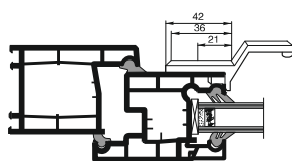
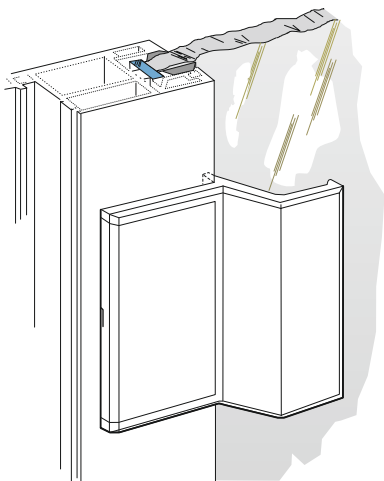
2C

2D

2E

2F

3



This handle is a fitting that was especially designed for PVC balcony doors. The notable advantage is the absolutely safe and durable fixing obtained by locking pins bracket and a concealed screwing in the reinforcement. The handle is externally fixed to the overlap edge of the casement profile walls in the glazing rebate area. Thereby a sufficient grip depth at minimal protrusion of 18 mm (very important with roller shutters) is obtained. There are various handles available for offsetted and flush fitting profiles.

The screwing dimensions for the handle for flush fitted profiles have been kept smaller so that the handle fits exactly onto the chamber of the profile (see cross-section diagrams).

With this product we have combined sound technical features with an attractive design.

The glazing rebate handle (available in white and dark brown) represents a sensible addition to the well-known Schüring product range of snap-in keeps and snap-in cams

■ Boxed qty.: 1 and 100 pieces

for offsetted profiles

- 04.606.01 white
- 04.606.02 brown
- 04.009.00 jig

for flush fitting profiles

- 04.606.11 white
- 04.606.12 brown
- 04.009.10 jig

2A

2B

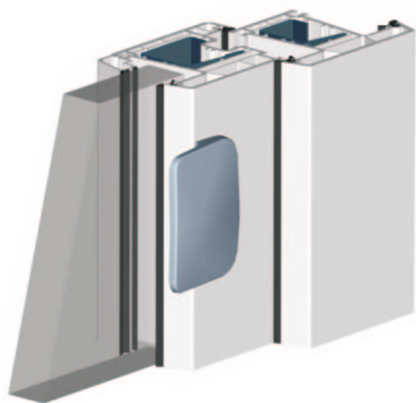
2C

2D

2E

2F

3



With the Schüring SoftLine Glazing

Rebate Handle for balcony doors we have bonded technical and optical advantages together:

- can be used for recessed and flush-fitting profiles
- time-saving clipping-on installation
- quick, secure assembly using a drilling jig
- special colours in accordance with RAL/Renolit are on request
- assembly by means of 2 drilled holes
 ø 6,5 mm, no additional screw fixing is required
- additional screwing is possible e.g in the event of profile deviations

■ Boxed qty.: 1 and 100 pieces

04.008.21	white, similar RAL 9003
04.008.22	brown, similar RAL 8019
04.008.23	cream, similar RAL 9001
04.008.24	beige brown, similar RAL 8024
04.008.25	anthracite grey, similar RAL 7016
04.008.26	silver grey, similar RAL 7001
04.008.27	golden oak, belonging to foil 2178001
04.008.28	slate grey, similar RAL 7015
04.008.00	Drilling jig with integrated assembly aid
53.000.65	HSS spiral drill ø 6,5 mm

2A

2B

2C

2D

2E

2F

3

Window fittings

1

Door fittings	Electronic and mechanical residential door locks, anti-panic locks, double-casement fittings, special fittings	2A
	Keeps, special keeps, electric release, profile cylinders	2B
	Handle-sets, pull handles and accessories	2C
	Door hinges, sills, door closer and accessory	2D
	Tilt and slide fitting, folding door fittings, slide fitting	2E
	In planning	2F

Accessories and consumable items

3

Tilt and slide fittings



- **KTB 200 Z**
- **KTB 160 S**
- **KTB 100 S**

2A

2B

2C

2D

2E

2F

3

Tilt and Slide Fittings KTB 200 for timber and PVC elements

Contents	2-E-0003
Specification of KTB	2-E-0004
Specification of KTB	2-E-0005
Range of application KTB 200 Z	2-E-0006
Range of application KTB 200 Z	2-E-0007
Range of application KTB 160 S and KTB 100 S	2-E-0008
Range of application KTB 160 S and KTB 100 S	2-E-0009
Sash arrangements	2-E-0010
Text for tender	2-E-0011
Order information and packing units	2-E-0012
Abbreviations and notes	2-E-0013

Fitting parts:

KTB 200 Z	2-E-0020
KTB 160 S	2-E-0040
KTB 100 S	2-E-0060
Overview profile-related parts KTB 200 Z	2-E-0080
Overview profile-related parts KTB 160 S	2-E-0090
Handles KTB 200 Z, KTB 160 S and KTB 100 S	2-E-0120

2A

2B

2C

2D

2E

2F

3



Slide position

Unique selling points

Opening width of 125 mm

Offering an opening width of 125 mm, the bogies and stays of the new KTB 200 provide the widest opening width of all parallel tilt and slide systems available on the market. This makes this fitting an excellent choice for deep sash profiles and meets all requirements expected from highly efficient heat insulating window systems.

Bogie design requiring only 35 mm of space, maximum roller diameter, concealed control system, and self-locking height adjustment

The bogies of the new KTB 200 have a roller diameter of 28 mm, which is greater than the diameters offered by any comparable fitting system, but require only 35 mm of space.

Concealed control system with non-soiling guide block. This provides for a long lifespan as well as smooth and convenient operation.

Only one tool is required to adjust the sash thanks to the new self-locking height adjustment including safety clip.

Bogie KTB 200 TWIN

The new bogie KTB 200 TWIN including one-part housing reliably supports sash weights of up to 200 kg. The preassembled bogies reduce the fabrication time considerably.

Anti-mishandling device on Top

This new anti-mishandling device works in an efficient and convenient way. It also prevents the sash from being lifted out. Thanks to its position facing away from the handle on the sash side, the anti-mishandling device can also be used in combination with French doors (scheme C).

Sash height up to 2700 mm

Thanks to the rugged design of its stays and bogies, the KTB 200 can be used for sash rebate heights of up to 2700 mm.

This fitting system is meeting the architectonic challenge for floor-to-ceiling window doors.

Bottom track

Sash weights of up to 160 kg no longer need to be supported if screw extraction forces specified in mounting instructions are observed.

PVC spring-loaded catches

The new spring-loaded catches made of special PVC let the fitting engage smoothly into its tilt position and, thereby, guarantee its reliable and convenient operation.

Tested and certified quality

The endurance functionality of the KTB 200 being tested by a notified testing institute according to EN 13126-17 has been classified in the highest category with 25.000 cycles.

The constant quality is monitored in line with the Q-Zert program QM 347. This quality certification program which has been developed by the ift Rosenheim (Institute of Window Techniques) is comprising the initial inspection of the fitting manufacturer as well as the regular external control according to EN13126-17 (endurance functionality of tilt and slide fittings) and EN 1191 (endurance functional test of windows and doors). In addition the manufacturer has to demonstrate an ongoing internal quality control.



large opening width: 125 mm

2A

2B

2C

2D

2E

2F

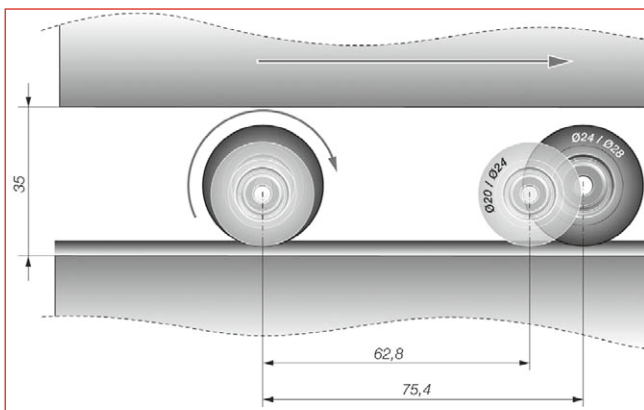
3



new height adjustment



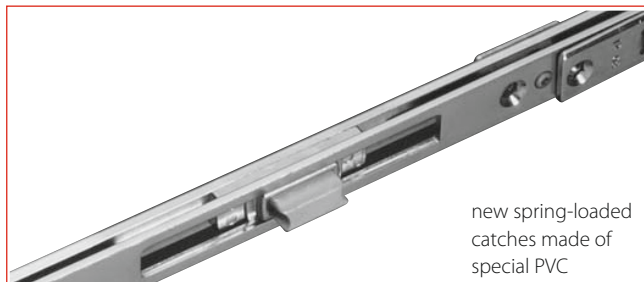
Anti-mishandling device on Top



large rollers run more smoothly



Reduced play in the connection between the handle including gear with fork drive and the central locking gear



new spring-loaded catches made of special PVC

Other benefits

- New universal cam (URZ). This smoothly operating roller cam adjusts automatically to any fittings cavity tolerances and ensures permanent convenient operation. Since it is used in combination with security strikers, the URZ ensures WK2 security level.
- Secure opening position and further improved permanent operation thanks to a stay design including new joint mechanics.
- Automatic sash engagement in the slide position for easy operation.
- Secure frame-sash connection with visual control option thanks to new gliders.
- The compact design of the control plates provides for a high-grade look and makes the system easy to clean.
- Simplified installation thanks to movable connecting clips.
- Height adjustment requires only one tool.
- Non-soiling guide block with concealed entry for faultless permanent operation.

Combined with KTB-design handle including gear with fork drive (AG)

- Installation preparation requires no drill bit change thanks to same size drill diameter for bogies and espag handle.
- Optimised screw connection points inside the handle of the gear with fork drive provide for a more efficient installation.
- Increased functional reliability thanks to reduced play in the connection between the handle of the gear with fork drive and the central locking gear.

The known benefits of the KTB

- Central locking components locked in centre position.
- French door strikers pre-installed on the espagnolette with spindle drive.
- Top and bottom fitting parts reliably stop the sash in any opening position.
- Cleaning brushes on the bogies ensure a long lifespan and smooth operation.
- Short distance between supporting bolt and sash for perfect weight support and minimum stress on the sash profile.
- Narrow, shapely bogie cover.
- The stay packet with its installation height of only 9 mm provides for the height adjustment of the sash.

2A

2B

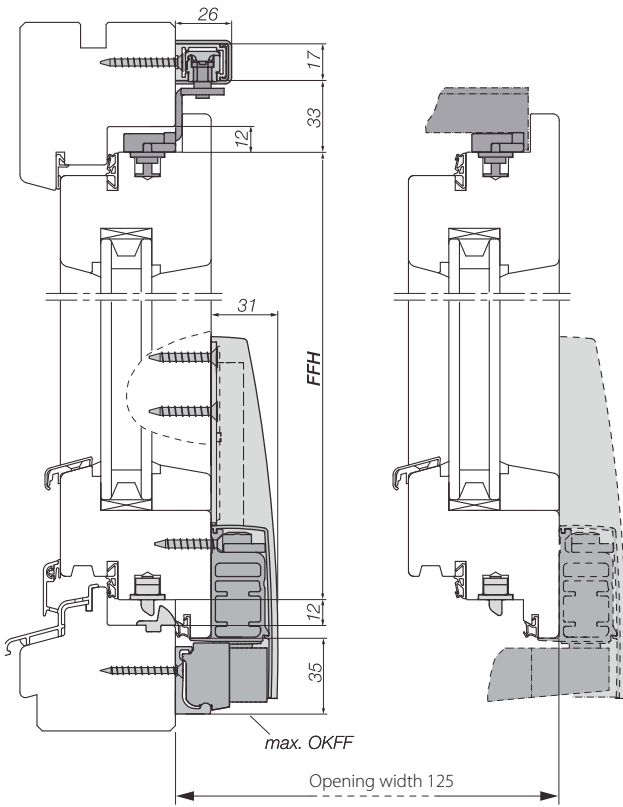
2C

2D

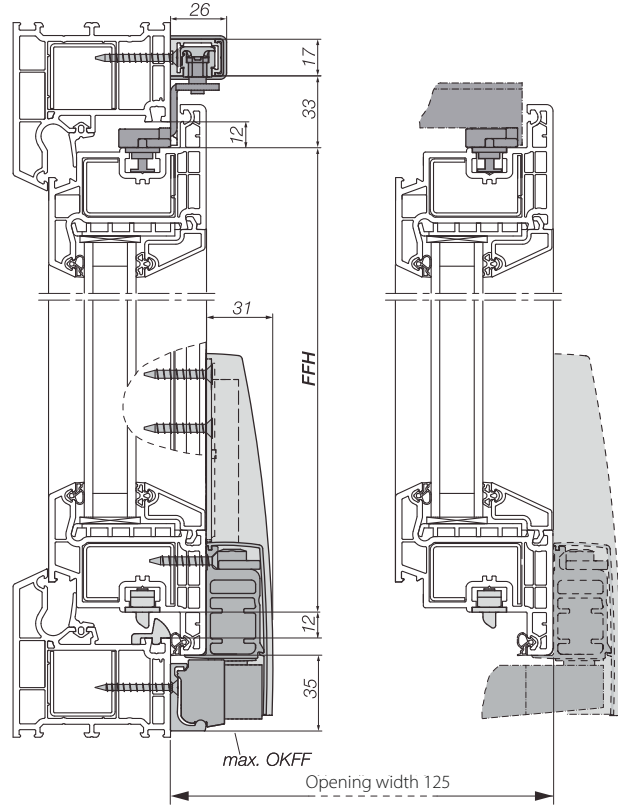
2E

2F

3



Vertical section timber



Vertical section PVC

2A

2B

2C

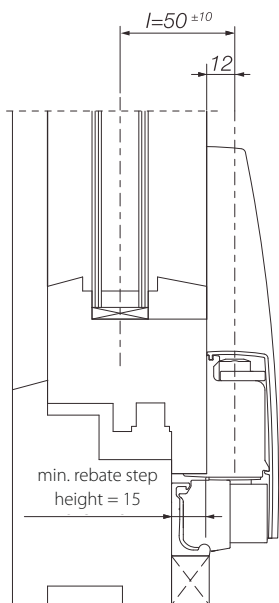
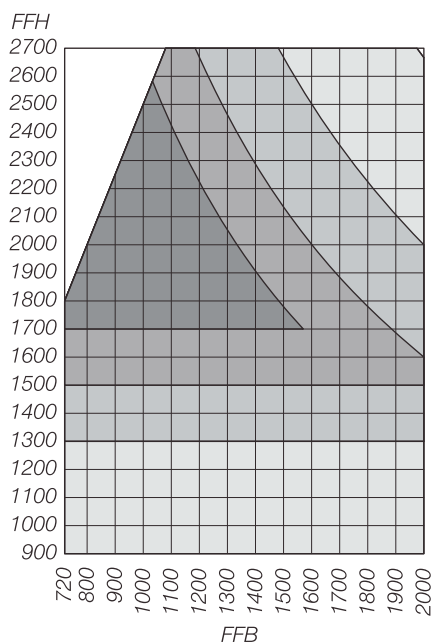
2D

2E

2F

3

KTB 200 Z



Applies to an I value of 50^{±10}

Sash rebate width (FFB) 720 to 2000 mm
 Sash rebate height (FFH) 900 to 2700 mm
 Sash weight max. 160 kg

2A

2B

2C

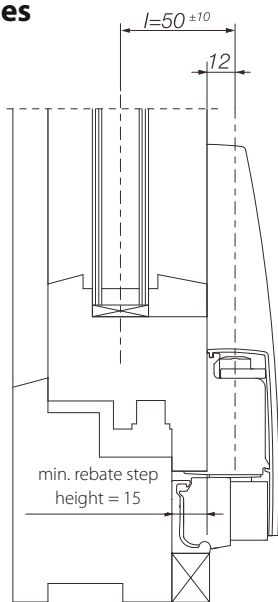
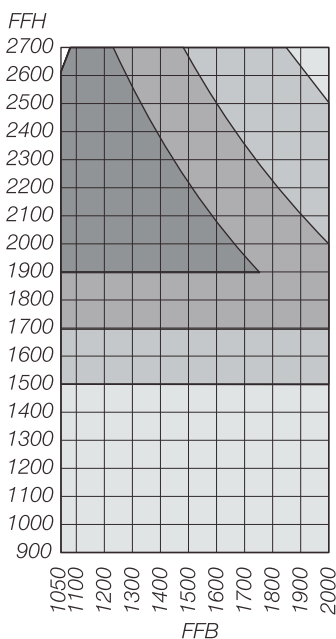
2D

2E

2F

3

KTB 200 Z with TWIN bogies



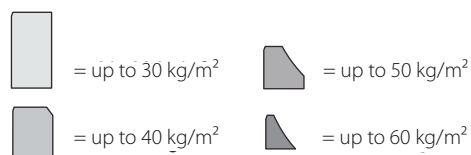
Applies to an I value of 50^{±10}

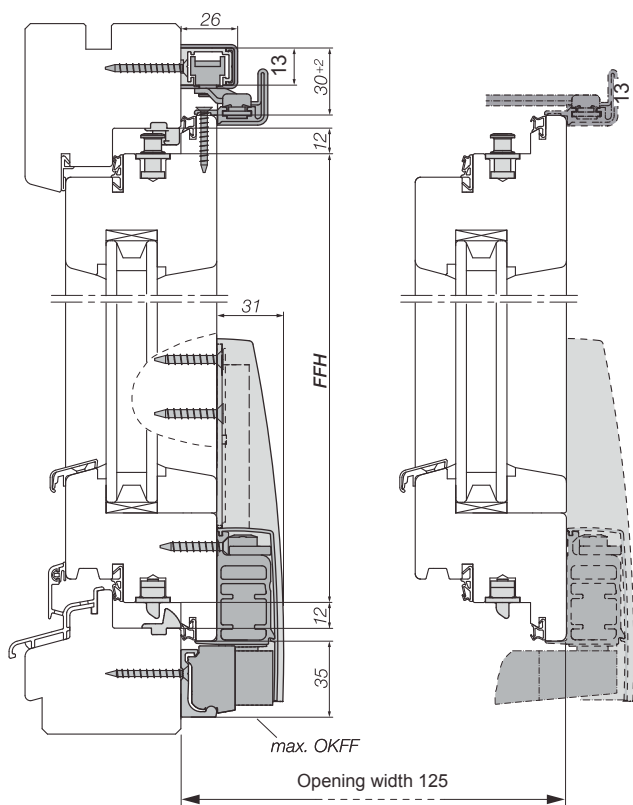
Sash rebate width (FFB) 1050 to 2000 mm
 Sash rebate height (FFH) 900 to 2700 mm
 Sash weight max. 200 kg

FFH: FFB = max 2.5 : 1

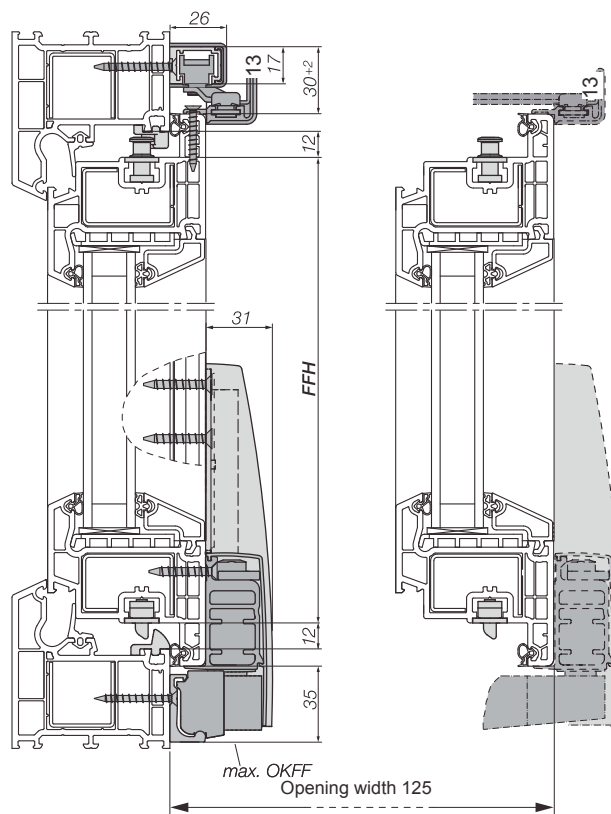
The limits specified for the ranges of application must be adhered to and not be exceeded.

Please also follow the permissible application sizes, manufacturing instructions and processing guidelines as provided by the profile manufacturers.

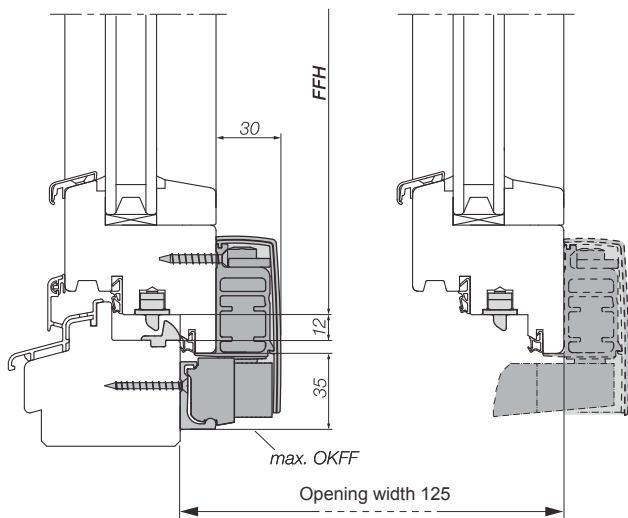




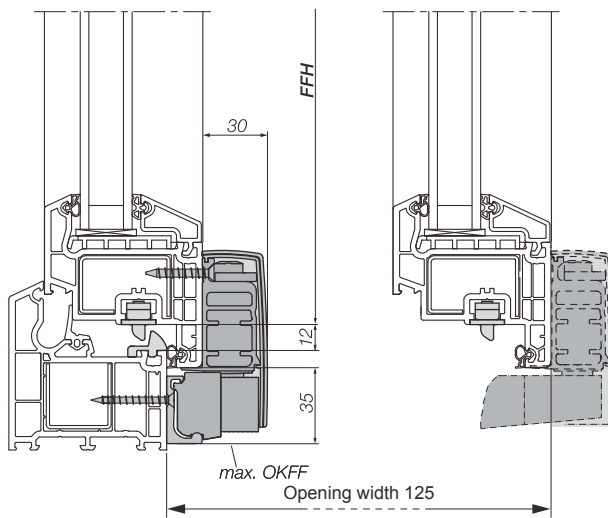
Vertical section KTB 160 S timber



Vertical section KTB 160 S PVC



Vertical section KTB 100 S timber



Vertical section KTB 100 S PVC

2A

2B

2C

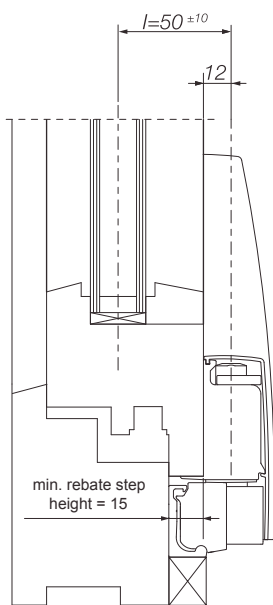
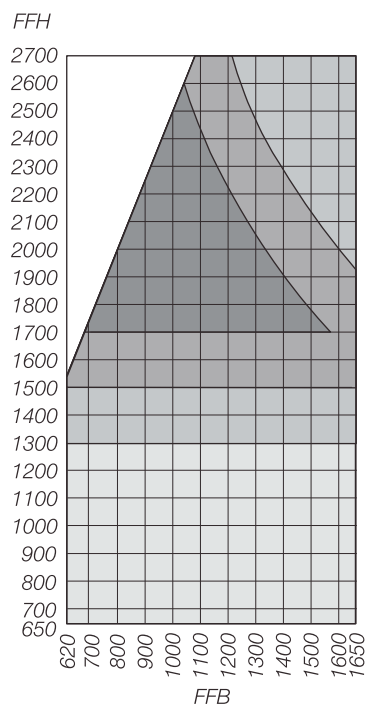
2D

2E

2F

3

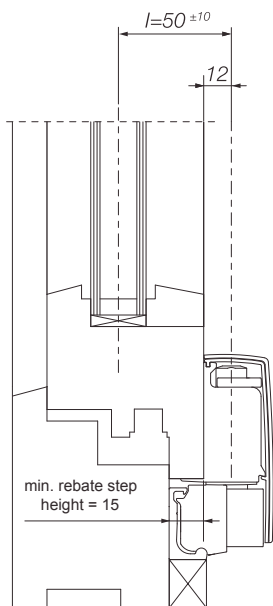
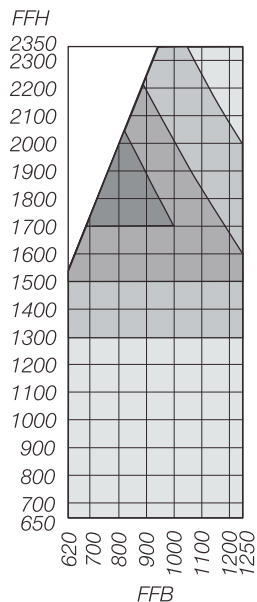
KTB 160 S



Applies to an I value of 50^{±10}

Sash rebate width (FFB) 620 to 1650 mm
 Sash rebate height (FFH) 650 to 2700 mm
 Sash weight max. 160 kg

KTB 100 S



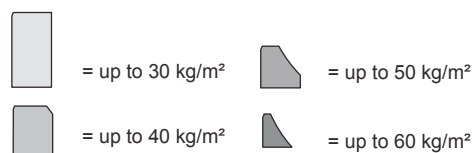
Applies to an I value of 50^{±10}

Sash rebate width (FFB) 620 to 1250 mm
 Sash rebate height (FFH) 650 to 2350 mm
 Sash weight max. 100 kg

FFH: FFB = max 2.5 : 1

The limits specified for the ranges of application must be adhered to and not be exceeded.

Please also follow the permissible application sizes, manufacturing instructions and processing guidelines as provided by the profile manufacturers.



2A

2B

2C

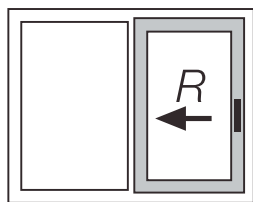
2D

2E

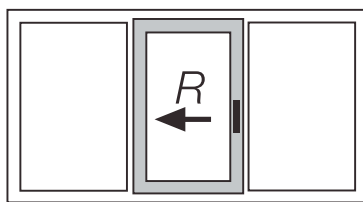
2F

3

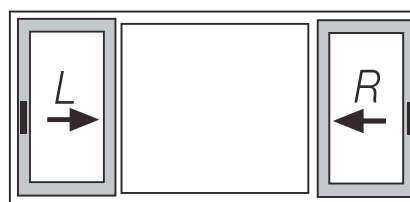
Frames with solid glazing or side hung sashes Schemes A, G, K, and C



Scheme A
Two-part element:
1 Sliding sash (L or R)



Scheme G
Three-part element:
1 Sliding sash (L or R)



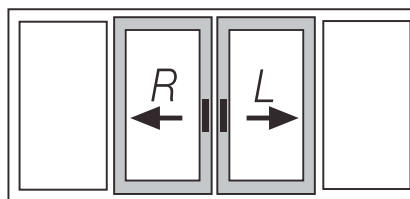
Scheme K
Three-part element:
2 Sliding sashes (L and R)

Fitting composition (schemes K and C, double quantity)

- 1 basic carton
- 1 KTB design handle
- 1 bag of strikers (profile-related)
- 1 profile set of normal size
- 1 horizontal locking
- 1 vertical locking

Fitting composition scheme C*

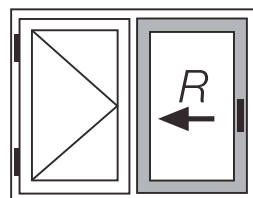
- 1 basic carton forend
- 2 KTB design handles
- 2 bag of strikers (profile-related)
- 2 profile sets of normal size
- 2 horizontal locking
- 2 vertical locking



Scheme C
Four-part element:
2 sliding sashes (L and R) with mounting posts between KTB elements

Scheme C*
Four-part element:
2 sliding sashes (L and R), without mounting posts between KTB elements

Frame without fixed mounting post between side hung and sliding sash scheme A

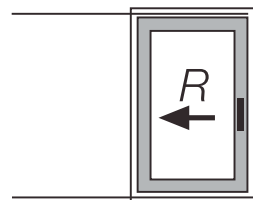


Scheme A
Two-part element:
1 sliding sash (L or R),
1 side hung sash.
When ordering two-part elements without fixed mounting post:
order central locking system separately.

- Fitting composition:
- 1 basic carton
 - 1 KTB design handle
 - 1 bag of strikers (profile-related)
 - 1 profile set of normal size
 - 1 horizontal locking
 - 1 vertical locking

Caution!
Movable guide block required

Sliding element in front of the wall scheme A



- Fitting composition:
- 1 basic carton
 - 1 KTB design handle
 - 1 bag of strikers (profile-related)
 - 1 profile set of normal size
 - 1 horizontal locking
 - 1 vertical locking

2A

2B

2C

2D

2E

2F

3

KTB 200 Z

Tilt and slide fitting KTB 200 ZZ, upgradable to Resistance category RC2, or SKG**. All-around URZ cam with automatic adjustment to fittings cavity tolerances. With one-hand operation. For door and window elements made of timber and PVC profiles for sash weights up to 200 kg, assembly-ready screw-on components. Central locking concealed and installed fixed with adjustable sash closing pressure.

Automatically operated stays with locked tilt position, free choice between locking and not locking when sash is closed. Automatic locking in the stays. Anti-mishandling device onTop. Sliding sash adjustable thanks to height adjustment, bogies with cleaning brushes for clean bottom track, upper guide track with PVC cover profile, flat aluminium bogie cover (31 mm), KTB 200 Z-handle.

KTB 160 S

Tilt and slide fitting KTB 160 S, upgradable to Resistance category RC2, or SKG**. All-around URZ cam with automatic adjustment to fittings cavity tolerances. With one-hand operation. For window elements made of timber or PVC profiles for sash weights up to 160 kg, assembly-ready screw-on components. Central locking concealed and installed fixed with adjustable sash closing pressure. Free choice between locking and not locking when sash is closed.

Upper stay system separated from the central locking, lower corners with spring-loaded catches for automatic sash engagement, anti-slam device in both stay arms. Bogies with cleaning brushes for clean bottom track. Sliding sash adjustable thanks to height adjustment, upper guide track with PVC cover profile, flat aluminium bogie cover (31 mm), KTB 160 S-handle.

KTB 100 S

Tilt and slide fitting KTB 100 S.
All-around URZ cam with automatic adjustment to fittings cavity tolerances. With one-hand operation.
For window elements made of timber or PVC profiles for sash weights up to 100 kg, assembly-ready screw-on components.
Central locking concealed and installed fixed with adjustable sash closing pressure.
Free choice between locking and not locking when sash is closed.

Upper stay system separated from the central locking, lower corners with spring-loaded catches for automatic sash engagement, anti-slam device in both stay arms. Bogies with cleaning brushes for clean bottom track. Sliding sash adjustable thanks to height adjustment, upper guide track with PVC cover profile, flat aluminium bogie cover (31 mm), KTB 160 S-handle.

2A

2B

2C

2D

2E

2F

3

Packing unit	KTB 200 Z with automatic operation	KTB 160 S with spring-loaded catch	KTB 100 S with spring-loaded catch
Basic carton			
Handle			
Frame parts	Set of strikers also available as unit pack as specified in table		
Strikers			
Tilt lock bearings			
Frame buffer anti-mishandling device			
Profile set	FFB 900 mm FFB 1050 mm FFB 1250 mm FFB 1450 mm FFB 1650 mm FFB 2000 mm (only KTB 200 Z)		FFB 900 mm FFB 1050 mm FFB 1250 mm
Set stay system and holding rail		FFB 620 - 900 mm FFB 901 - 1250 mm FFB 1251 - 1650 mm	
Horizontal locking	FFB 720 - 1050 mm FFB 1051 - 1250 mm FFB 1251 - 1450 mm FFB 1451 - 1650 mm FFB 1651 - 1850 mm FFB 1851 - 2000 mm	FFB 620 - 900 mm FFB 901 - 1250 mm FFB 1251 - 1650 mm	FFB 620 - 900 mm FFB 901 - 1250 mm
Vertical locking	FFH 900 - 1100 mm FFH 1101 - 1300 mm FFH 1301 - 1500 mm FFH 1501 - 1700 mm FFH 1701 - 1900 mm FFH 1901 - 2100 mm FFH 2101 - 2300 mm FFH 2301 - 2400 mm FFH 2401 - 2700 mm*		FFH 650 - 1100 mm FFH 1101 - 1450 mm FFH 1451 - 1900 mm FFH 1901 - 2350 mm FFH 2351 - 2700 mm (only KTB 160 S)*

*with linkages

2A

2B

2C

2D

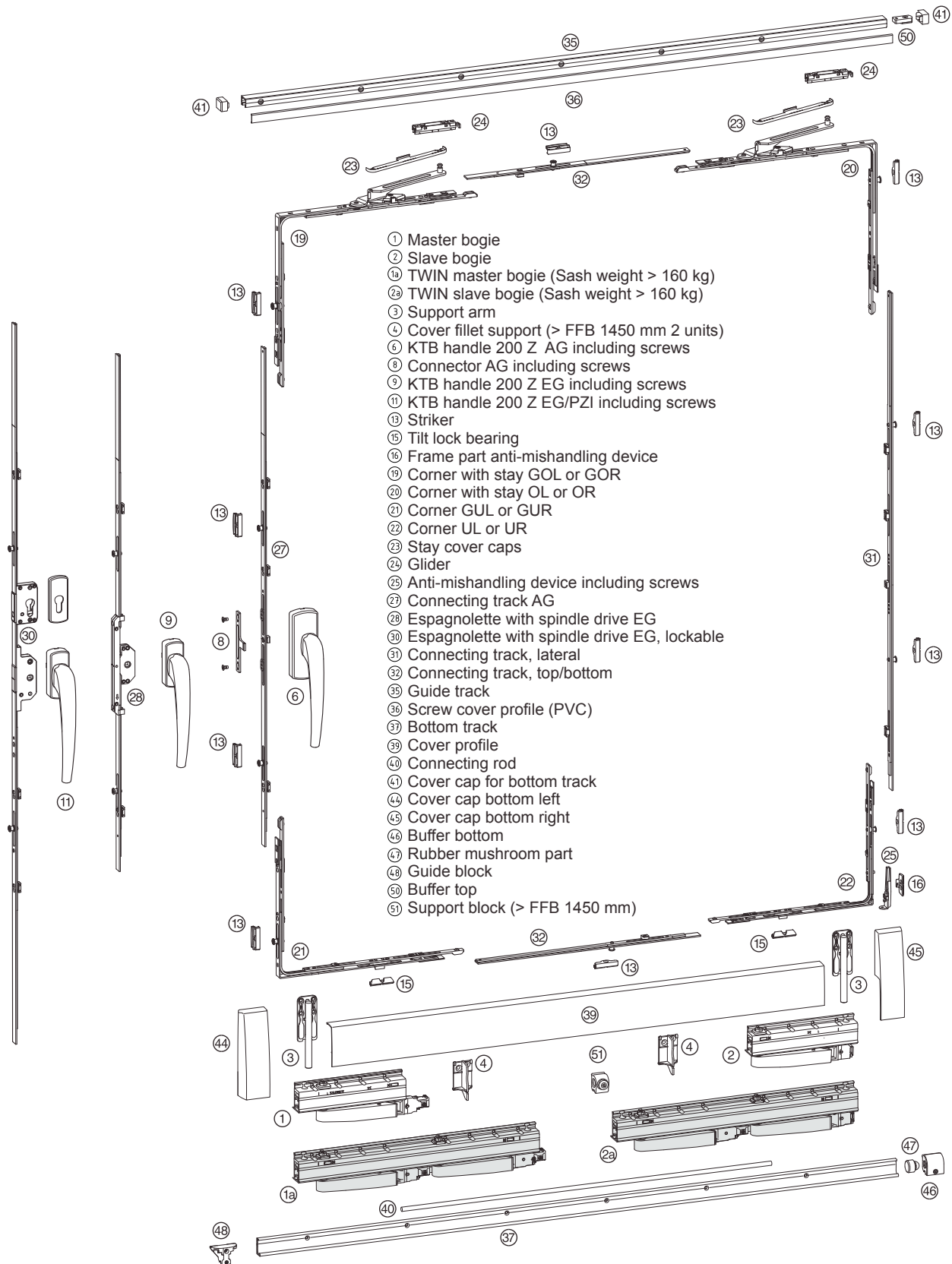
2E

2F

3

Colour information

	Design EV 1/silver	Design white	Design cream	Design brown	Design medium bronze
Guide track	EV 1 ecru, anodised	EV 1 ecru, anodised	EV 1 ecru, anodised	EV 1 ecru, anodised	EV 1 ecru, anodised
Bottom track	EV 1 ecru, anodised	EV 1 ecru, anodised	EV 1 ecru, anodised	C 34 dark br., anodised	C 33 med. bronze, anodised
Stay connecting and cover profile	silver, coated	RAL 9016 white, coated	RAL 9001 cream, coated	8077 brown, coated	C 33 med. bronze, anodised
Screw cover profile and end caps	colour-matched				



- ① Master bogie
- ② Slave bogie
- ①a TWIN master bogie (Sash weight > 160 kg)
- ②a TWIN slave bogie (Sash weight > 160 kg)
- ③ Support arm
- ④ Cover fillet support (> FFB 1450 mm 2 units)
- ⑥ KTB handle 200 Z AG including screws
- ⑧ Connector AG including screws
- ⑨ KTB handle 200 Z EG including screws
- ⑩ KTB handle 200 Z EG/PZI including screws
- ⑪ Striker
- ⑮ Tilt lock bearing
- ⑯ Frame part anti-mishandling device
- ⑰ Corner with stay GOL or GOR
- ⑲ Corner with stay OL or OR
- ⑳ Corner GUL or GUR
- ㉑ Corner UL or UR
- ㉒ Stay cover caps
- ㉔ Glider
- ㉕ Anti-mishandling device including screws
- ㉗ Connecting track AG
- ㉘ Espagnolette with spindle drive EG
- ㉙ Espagnolette with spindle drive EG, lockable
- ㉚ Connecting track, lateral
- ㉛ Connecting track, top/bottom
- ㉜ Guide track
- ㉝ Screw cover profile (PVC)
- ㉞ Bottom track
- ㉟ Cover profile
- ㊱ Connecting rod
- ㊲ Cover cap for bottom track
- ㊳ Cover cap bottom left
- ㊴ Cover cap bottom right
- ㊵ Buffer bottom
- ㊶ Rubber mushroom part
- ㊷ Guide block
- ㊸ Buffer top
- ㊹ Support block (> FFB 1450 mm)

2A

2B

2C

2D

2E

2F

3

Item name	Item code					
1 x Basic carton KTB 200 Z ① ② ③ ④ ⑤ ⑥ ⑦ ⑧ ⑨ ⑩ ⑪ ⑫ ⑬ ⑭ ⑮ ⑯ ⑰ ⑱ ⑲ ⑳ ㉑ ㉒ ㉓ ㉔ ㉕	Axis 9	left		right		
	Axis 13	35.111.01	35.111.03	35.111.02	35.111.04	
or Basic carton KTB 200 Z TWIN		left		right		
1 x (160 kg or more) ①a ②a ③ ④ ⑤ ⑥ ⑦ ⑧ ⑨ ⑩ ⑪ ⑫ ⑬ ⑭ ⑮ ⑯ ⑰ ⑱ ㉑ ㉒ ㉓ ㉔ ㉕	Axis 9	35.111.21	35.111.23	35.111.22	35.111.24	
	Axis 13	35.111.21	35.111.23	35.111.22	35.111.24	
1 x KTB 200 Z-handle including gear with fork drive and standard connector	AG ⑥ ⑧	EV1¹⁾	white¹⁾	brown¹⁾	medium bronze¹⁾ RAL 9001¹⁾	
	left		34.012.03			
	right		34.012.04			
or	EG ⑨	EV1	white	brown	medium bronze¹⁾ RAL 9001¹⁾	
1 x KTB 200 Z-handle for gearbox espag	EG-PZI ⑩	34.011.01	34.011.03	34.011.02	34.011.04	
	EG-S	34.011.21	34.011.23	34.011.22		
	EG-PzA	See catalog page 2-E-0120 and 2-E-0121				
1 x Accessory bag strikers ⑬ ⑭ ⑮	(profile-related) see profile overview 2 additional strikers required for a sash rebate width from 1450 mm					
1 x Horizontal locking ⑳	FFB	(PU 1 unit)				
	720 - 1.050	35.112.01				
	1.051 - 1.250 ¹⁾					
	1.251 - 1.450*	35.112.02*				
	1.451 - 1.650 ¹⁾					
	1.651 - 1.850**	35.112.03**				
	1.851 - 2.000	35.112.04				
* useable for cutting to length on both sides from 1051 1450 mm; ** useable for cutting to length on both sides from 1451 1850 mm						
1 x Vertical locking gear with fork drive ㉑ ㉒	Handle pos.	FFH	(PU 1 unit)			
	450	900 - 1.100 ¹⁾				
	450	1.101 - 1.300 ¹⁾				
	650	1.301 - 1.500 ¹⁾				
	650	1.501 - 1.700 ¹⁾				
	950	1.701 - 1.900 ¹⁾				
	950	1.901 - 2.100 ¹⁾				
	950	2.101 - 2.300 ¹⁾	35.113.17			
	950	2.301 - 2.400 ¹⁾				
950	2.401 - 2.700 ^{1)*}					
* in addition, 1x set linkage 400 mm (item code 35.113.99 ¹⁾) and matching strikers (profile-related) are required						
or 1 x Vertical locking espag, b/s 17,5 ㉓ ㉔	Handle pos.	FFH	(PU 1 unit)			
	450	900 - 1.100	35.113.01			
	450	1.101 - 1.300	35.113.02			
	650	1.301 - 1.500	35.113.03			
	650	1.501 - 1.700	35.113.04			
	950	1.701 - 1.900	35.113.05			
	950	1.901 - 2.100	35.113.06			
	950	2.101 - 2.300	35.113.07			
	950	2.301 - 2.400	35.113.08			
	950	2.401 - 2.700	35.113.09*			
* in addition, 1x set linkage 400 mm (item code 35.113.99 ¹⁾) and matching strikers (profile-related) are required						
or 1 x Vertical locking espag, lockable b/s 30 ㉕ ㉖	Handle pos.	FFH	(PU 1 unit)			
	950	1.701 - 1.900	35.113.35			
	950	1.901 - 2.100	35.113.36			
	950	2.101 - 2.300	35.113.37			
	950	2.301 - 2.400	35.113.38			
	950	2.401 - 2.700	35.113.39*			
* in addition, 1x set linkage 400 mm (item code 35.113.99 ¹⁾) and matching strikers (profile-related) are required						
1 x Profile set KTB 200 ㉗ ㉘ ㉙ ㉚ ㉛ ㉜ ㉝ ㉞ ㉟ ㊱ ㊲ ㊳ ㊴ ㊵ ㊶ ㊷ ㊸ ㊹ ㊺ ㊻ ㊼ ㊽ ㊾ ㊿	FFB	RAB	silver	white	brown	medium bronze¹⁾ RAL 9001¹⁾
	720 - 900	1.930	35.114.01	35.114.31	35.114.21	35.114.41
	901 - 1.050	2.230	35.114.02	35.114.32	35.114.22	35.114.42
	1.051 - 1.250	2.630	35.114.03	35.114.33	35.114.23	35.114.43
	1.251 - 1.450	3.030	35.114.04	35.114.34	35.114.24	35.114.44
	1.451 - 1.650	3.430	35.114.05	35.114.35	35.114.25	35.114.45
	1.651 - 2.000	4.130	35.114.06	35.114.36	35.114.26	35.114.46

2A

2B

2C

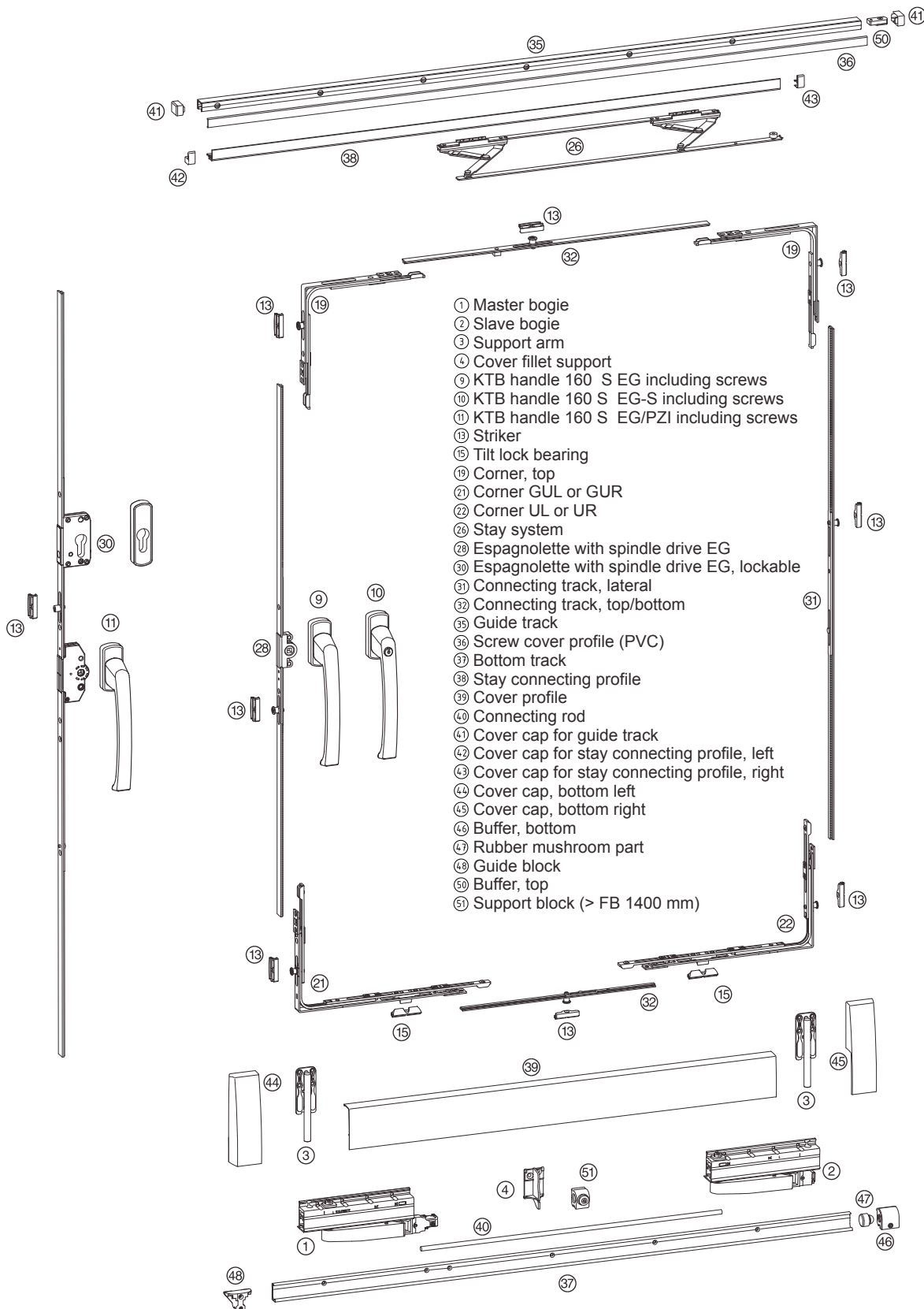
2D

2E

2F

3

¹⁾ = on request



- ① Master bogie
- ② Slave bogie
- ③ Support arm
- ④ Cover fillet support
- ⑨ KTB handle 160 S EG including screws
- ⑩ KTB handle 160 S EG-S including screws
- ⑪ KTB handle 160 S EG/PZI including screws
- ⑬ Striker
- ⑮ Tilt lock bearing
- ⑲ Corner, top
- ⑳ Corner GUL or GUR
- ㉑ Corner UL or UR
- ㉒ Stay system
- ㉔ Espagnolette with spindle drive EG
- ㉕ Espagnolette with spindle drive EG, lockable
- ㉖ Connecting track, lateral
- ㉗ Connecting track, top/bottom
- ㉘ Guide track
- ㉙ Screw cover profile (PVC)
- ㉚ Bottom track
- ㉛ Stay connecting profile
- ㉜ Cover profile
- ㉝ Connecting rod
- ㉞ Cover cap for guide track
- ㉟ Cover cap for stay connecting profile, left
- ㊱ Cover cap for stay connecting profile, right
- ㊲ Cover cap, bottom left
- ㊳ Cover cap, bottom right
- ㊴ Buffer, bottom
- ㊵ Rubber mushroom part
- ㊶ Guide block
- ㊷ Buffer, top
- ㊸ Support block (> FB 1400 mm)

2A

2B

2C

2D

2E

2F

3

Figure fitting parts = design left (according to DIN EN 12519 opening to the right)

Item name	Item code					
1 x Basic carton KTB 160 S ① ② ③ ⑯ ⑰ ⑱ ⑲ ⑳ ㉑ ㉒			left	right		
			35.211.11	35.211.12		
1 x KTB 160 S-handle c/w drive pin, left/right	EG	⑨	EV1 34.011.51	white 34.011.53	brown 34.011.52	medium bronze¹⁾ RAL 9001¹⁾
	EG-S	⑩	34.011.54	¹⁾	¹⁾	
	EG-Pzl	⑪	34.011.61	34.011.63	34.011.62	
1 x Accessory bag strikers	⑬ ⑭		(profile-related) see profile overview			
1 x Horizontal locking ⑳	FFB		(PU 1 unit)			
	620 - 900		35.212.01			
	901 - 1.250		35.212.02			
	1.251 - 1.650		35.212.03			
1 x Vertical locking espag with b/s 15 ㉒ ㉓	Handle pos.	FFH	(PU 1 unit)			
	centre	650 - 1.100	35.213.01			
	centre	1.101 - 1.450	35.213.02			
	centre	1.451 - 1.900	35.213.03			
	centre	1.901 - 2.350	35.213.04			
		2.351 - 2.700	35.213.09*			
* in addition, 1x set linkage 400 mm (item code 35.113.99 ¹⁾) and matching strikers (profile-related) are required						
or	Handle pos.	FFH	(PU 1 unit)			
1 x Vertical locking espag, lockable, b/s 30 ㉔ ㉕	centre	1.100 - 1.450	35.213.32			
	centre	1.451 - 1.900	35.213.33			
	centre	1.901 - 2.350	35.213.34			
		2.351 - 2.700	35.213.39*			
* in addition, 1x set linkage 400 mm (item code 35.113.99 ¹⁾) and matching strikers (profile-related) are required						
1 x Profile set KTB 200 ④ ⑤ ⑥ ⑦ ⑧ ⑨ ⑩ ⑪ ⑫ ⑬ ⑭ ⑮ ⑯ ⑰ ⑱ ⑲ ⑳ ㉑ ㉒ ㉓ ㉔ ㉕ ㉖ ㉗ ㉘ ㉙ ㉚ ㉛ ㉜ ㉝ ㉞ ㉟ ㊱ ㊲ ㊳ ㊴ ㊵ ㊶ ㊷ ㊸ ㊹ ㊺ ㊻ ㊼ ㊽ ㊾ ㊿	FFB	RAB	silver	white	brown	medium bronze¹⁾ RAL 9001¹⁾
	620 - 900	1.930	35.114.01	35.114.31	35.114.21	35.114.41
	901 - 1.050	2.230	35.114.02	35.114.32	35.114.22	35.114.42
	1.051 - 1.250	2.630	35.114.03	35.114.33	35.114.23	35.114.43
	1.251 - 1.450	3.030	35.114.04	35.114.34	35.114.24	35.114.44
	1.451 - 1.650	3.430	35.114.05	35.114.35	35.114.25	35.114.45
1 x Set stay system + holding rail ㉞ ㉟ ㊱ ㊲ ㊳ ㊴ ㊵ ㊶ ㊷ ㊸ ㊹ ㊺ ㊻ ㊼ ㊽ ㊾ ㊿	FFB		silver	white	brown	medium bronze¹⁾ RAL 9001¹⁾
	620 - 900		35.115.01	35.115.31	35.115.21	
	901 - 1.250		35.115.02	35.115.32	35.115.22	
	1.251 - 1.600		35.115.03	35.115.33	35.115.23	

2A

2B

2C

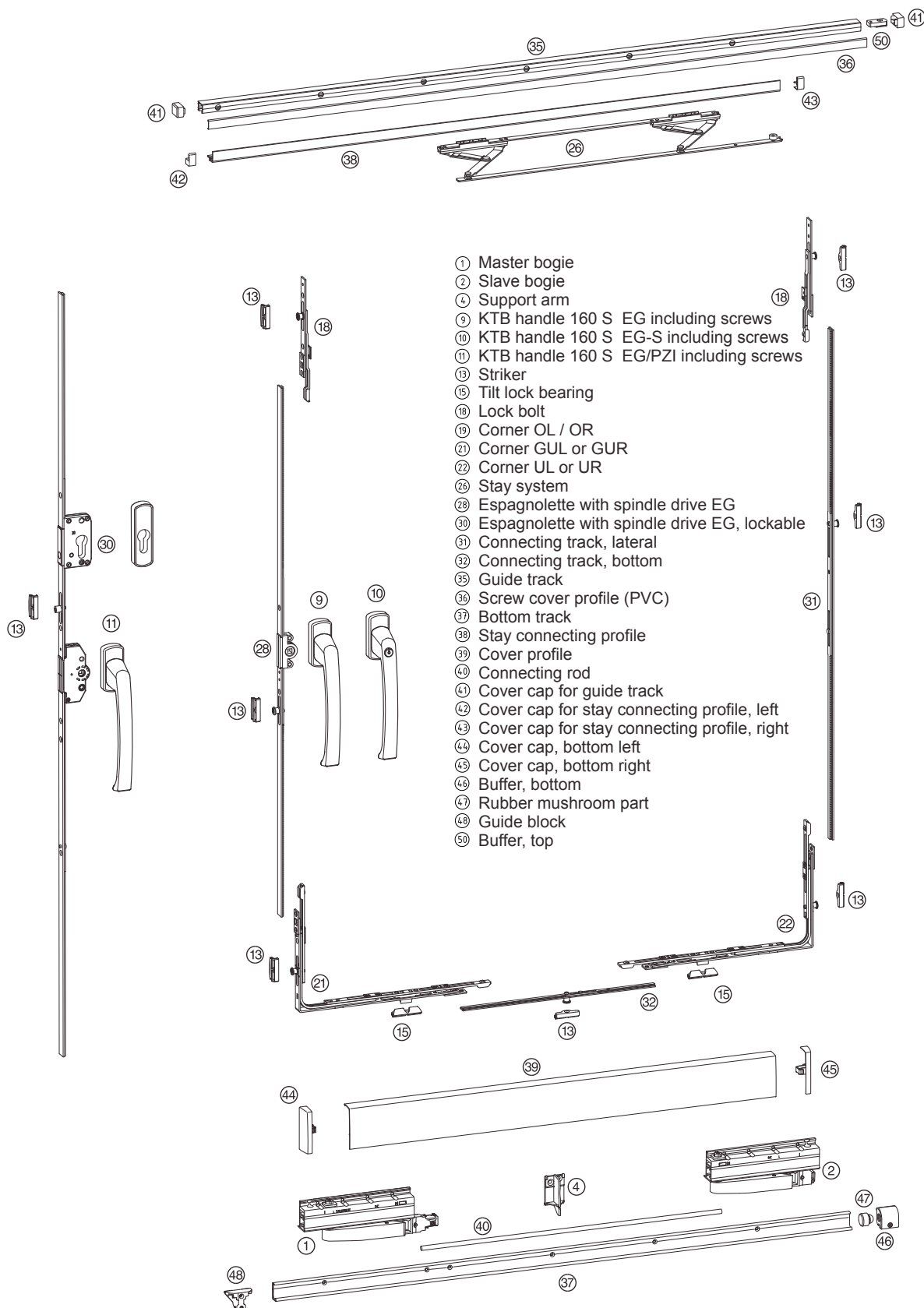
2D

2E

2F

3

¹⁾ = on request



- ① Master bogie
- ② Slave bogie
- ④ Support arm
- ⑨ KTB handle 160 S EG including screws
- ⑩ KTB handle 160 S EG-S including screws
- ⑪ KTB handle 160 S EG/PZI including screws
- ⑬ Striker
- ⑮ Tilt lock bearing
- ⑰ Lock bolt
- ⑲ Corner OL / OR
- ⑳ Corner GUL or GUR
- ㉑ Corner UL or UR
- ㉒ Stay system
- ㉔ Espagnolette with spindle drive EG
- ㉕ Espagnolette with spindle drive EG, lockable
- ㉖ Connecting track, lateral
- ㉗ Connecting track, bottom
- ㉙ Guide track
- ㉚ Screw cover profile (PVC)
- ㉛ Bottom track
- ㉜ Stay connecting profile
- ㉝ Cover profile
- ㉞ Connecting rod
- ㉟ Cover cap for guide track
- ㊱ Cover cap for stay connecting profile, left
- ㊲ Cover cap for stay connecting profile, right
- ㊳ Cover cap, bottom left
- ㊴ Cover cap, bottom right
- ㊵ Buffer, bottom
- ㊶ Rubber mushroom part
- ㊷ Guide block
- ㊸ Buffer, top

2A

2B

2C

2D

2E

2F

3

Abbildung Beschlagteile = Ausführung links (lt. DIN EN 12519 nach rechts öffnend)

Item name		Item code				
1 x Basic carton KTB 100 S ① ② ⑬ ⑭ ⑮ ⑯			left		right	
			35.000.01		35.000.02	
1 x KTB 160 S-handle c/w drive pin, left/right	EG ⑨	EV1	white	brown	medium bronze¹⁾ RAL 9001¹⁾	
	EG-S ⑩	34.011.51	34.011.53	34.011.52		
	EG-Pzl ⑪	34.011.54	1)	1)		
		34.011.61	34.011.63	34.011.62		
1 x Accessory bag strikers ⑫ ⑬		(profile-related) see profile overview				
1 x Connecting track ⑳		FFB	(PU 1 unit)			
		620 - 900	35.000.05			
		901 - 1.250	35.000.06			
1 x Vertical locking espag with b/s 15 ㉑ ㉒	Handle pos.	FFH	(PU 1 unit)			
	centre	650 - 1.100	35.213.01			
	centre	1.101 - 1.450	35.213.02			
	centre	1.451 - 1.900	35.213.03			
	centre	1.901 - 2.350	35.213.04			
or						
1 x Vertical locking espag, lockable b/s 30 ㉓ ㉔	Handle pos.	FFH	(PU 1 unit)			
	centre	1.100 - 1.450	35.213.32			
	centre	1.451 - 1.900	35.213.33			
	centre	1.901 - 2.350	35.213.34			
1 x Profile set 100 ④ ⑤ ⑥ ⑦ ⑧ ⑨ ⑩ ⑪ ⑫ ⑬ ⑭ ⑮ ⑯ ⑰ ⑱ ㉑ ㉒ ㉓ ㉔ ㉕ ㉖ ㉗ ㉘ ㉙ ㉚ ㉛ ㉜ ㉝ ㉞ ㉟ ㊱ ㊲ ㊳ ㊴ ㊵ ㊶ ㊷ ㊸ ㊹ ㊺ ㊻ ㊼ ㊽ ㊾ ㊿		FFB	RAB	silber¹⁾	white	brown¹⁾ medium bronze¹⁾ RAL 9001¹⁾
		620 - 900	1.930		35.000.31	
		901 - 1.050	2.230		35.000.32	
		1.051 - 1.250	2.630		35.000.33	

2A

2B

2C

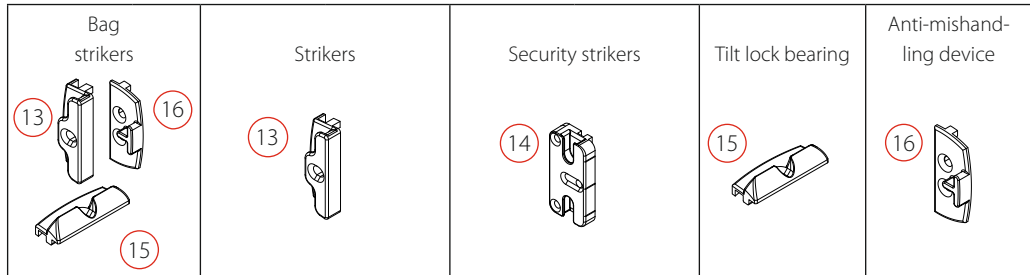
2D

2E

2F

3

RC 2 = 14 + 15 + 16



Profile	Item code		Item code		Item code		Item code	Item code
		Set	1 unit	10 units	1 unit	10 units	1 pair	1 unit
Alphacan System 70/80	35.90114	233						
Alphacan System Claas / MD Plus		225						
Aluplast Ideal 2000 / 3000	35.901.05	208	35.800.05				35.801.05	
Aluplast Ideal 4000 / 5000 / 6000 / 8000	35.901.02	203						
Gealan S3000 / S7000 / S8000	35.901.04	205	35.800.04				35.801.04	
Heroal 065/110E (Alu)	35.901.01	217						
Inoutic AD	35.901.08	202	35.800.08				35.801.08	
Inoutic Elite	35.901.08	202	35.800.08				35.801.08	
Inoutic Mondial 2000		221						
Inoutic Prestige	35.901.08	202	35.800.08				35.801.08	
Inoutic Zendow	35.901.09	232	35.800.09				35.801.09	
KBE MD		220						
KBE System 70	35.901.04	205	35.800.04				35.801.04	
KBE 88+	35.901.04	205	35.800.04				35.801.04	
Kömmerling Futur, Classic, 88+	35.901.03	207	35.800.03				35.801.03	
LB PAD System compact	35.901.05	208	35.800.05				35.801.05	
Plastmo index		216						
Plustec Classic / Softline		233						
Rehau Brillant Design	35.901.10	204	35.800.10					
Rehau Thermo Design S730	35.901.10	204	35.800.10					
Roplasto 7001 (5K, 6K, 8K)		264						
Roplasto 6001 MD	35.901.01	217						
Roplasto 6001 AD								
Schüco Corona AD	35.901.05	208	35.800.05				35.801.05	
Schüco Corona AS 60	35.901.02	203						
Schüco Corona CT70	35.901.05	208	35.800.05				35.801.05	
Schüco Corona MD	35.901.02	203						
Schüco Corona Si82 AD	35.901.05	208	35.800.05				35.801.05	
Schüco Corona Si82 MD	35.901.05	208	35.800.05				35.801.05	
SIP System Brügmann AD	35.901.11	201						
SIP System Brügmann MD	35.901.11	201						
SIP System Salamander Design 2D		222	35.800.07				35.803.07	
SIP System Salamander Design 3D		222	35.800.07				35.803.07	
SIP System Salamander Streamline 76		222	35.800.07				35.803.07	
Trocal Confort		224						
Trocal Innonova A5								
Trocal Innonova M5								
Veka Softline AD 70 / Topline AD 70	35.90114	201						
Veka Softline AD 58								
Wymar S 2000 System		221						

2A

2B

2C

2D

2E

2F

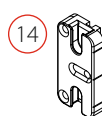
3

RC 2 = 14 + 15

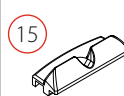
Strikers



Security strikers



Tilt lock bearing



Profile	Item code		Item code		Item code
	1 unit	10 units	1 unit	10 units	1 pair
Alphacan System 70/80					
Alphacan System Claas / MD Plus					
Aluplast Ideal 2000 / 3000	35.800.05				35.801.05
Aluplast Ideal 4000 / 5000 / 6000 / 8000					
Gealan S3000 / S7000 / S8000	35.800.04				35.801.04
Heroal 065/110E (Alu)					
Inoutic AD	35.800.08				35.801.08
Inoutic Elite	35.800.08				35.801.08
Inoutic Mondial 2000					
Inoutic Prestige	35.800.08				35.801.08
Inoutic Zendow	35.800.09				35.801.09
KBE MD					
KBE System 70	35.800.04				35.801.04
KBE 88+	35.800.04				35.801.04
Kömmerling Futur, Classic, 88+	35.800.03				35.801.03
LB PAD System compact	35.800.05				35.801.05
Plastmo index					
Plustec Classic / Softline					
Rehau Brillant Design	35.800.10				
Rehau Thermo Design S730	35.800.10				
Roplasto 7001 (5K, 6K, 8K)					
Roplasto 6001 MD					
Roplasto 6001 AD					
Schüco Corona AD	35.800.05				35.801.05
Schüco Corona AS 60					
Schüco Corona CT70	35.800.05				35.801.05
Schüco Corona MD					
Schüco Corona Si82 AD	35.800.05				35.801.05
Schüco Corona Si82 MD	35.800.05				35.801.05
SIP System Brüggmann AD					
SIP System Brüggmann MD					
SIP System Salamander Design 2D	35.800.07				35.803.07
SIP System Salamander Design 3D	35.800.07				35.803.07
SIP System Salamander Streamline 76	35.800.07				35.803.07
Trocal Confort					
Trocal Innonova A5					
Trocal Innonova M5					
Veka Softline AD 70 / Topline AD 70					
Veka Softline AD 58					
Wymar S 2000 System					

2A

2B

2C

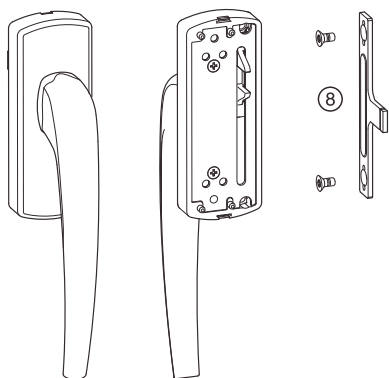
2D

2E

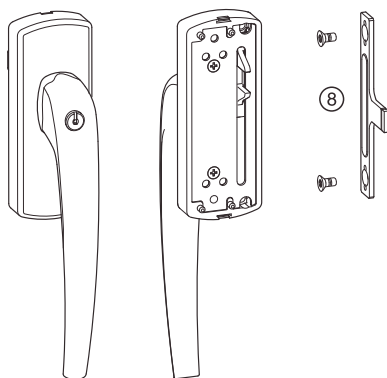
2F

3

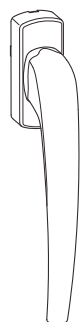
KTB 200 Z handles



⑥ KTB 200 Z handle AG



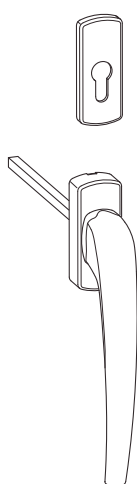
⑦ KTB 200 Z handle AG-S



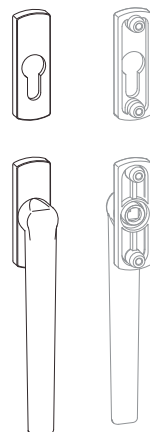
⑨ KTB 200 Z handle EG



⑩ KTB 200 Z handle EG-S



⑪ KTB 200 Z handle EG-PzI



⑫ KTB 200 Z handle EG-PzA



⑫a Cover for round cylinder (internal/external)

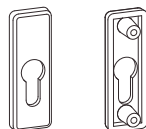
KTB 160 S / 100 S handles



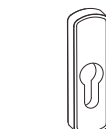
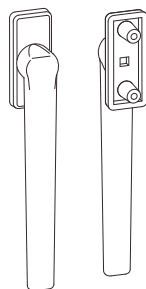
⑨ KTB 160 S handle EG



⑩ KTB 160 S handle EG-S



⑫ KTB 160 S handle EG/PzA



⑪ KTB 160 S handle EG/PzI

2A

2B

2C

2D

2E

2F

3

KTB 200 Z handles

Item name	Item code					
			EV1	white	brown	medium bronze ¹⁾ RAL 9001 ¹⁾
KTB 200 Z-handle including gear with fork drive and connector ⑧	AG ⑥	left				
		right				
KTB 200 Z-handle for gear box espag	AG-S ⑦	left				
		right				
	EG ⑨		34.011.01	34.011.03	34.011.02	
	EG-S ⑩		34.011.11	34.011.13	34.011.12	
	EG-PzA ⑫		34.011.31	34.011.33	34.011.32	
	EG-Pzl ⑪		34.011.21	34.011.23	34.011.22	
Cover internal/external for round cylinder ⑫s						

2A

2B

2C

2D

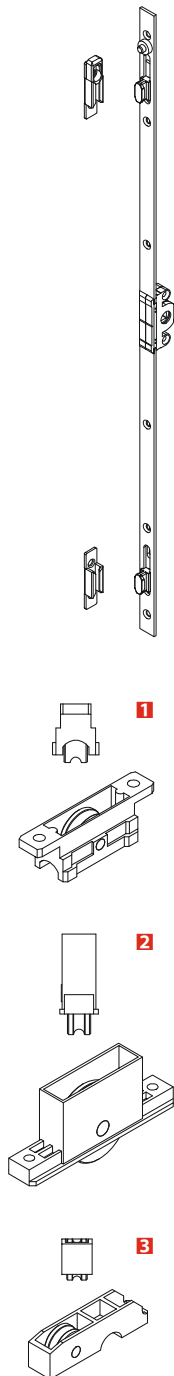
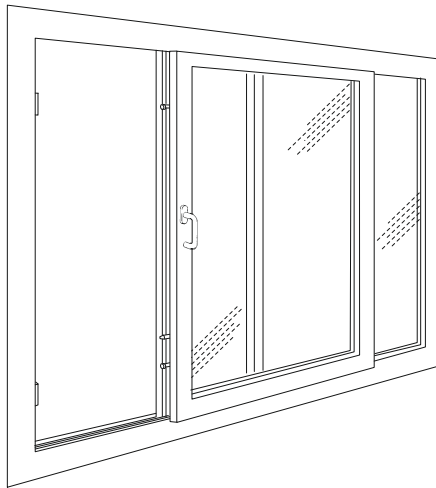
2E

2F

3

KTB 160 S / 100 S handles

Item name	Item code			
		EV1	white	brown
KTB 160 handle for gear box espag	160 EG ⑨	34.011.51	34.011.53	34.011.52
	160 EG-S ⑩	34.011.54	34.011.55	34.011.56
	160 EG-PzA ⑫			
	160 EG-Pzl ⑪	34.011.61	34.011.63	34.011.62



Gear, 15 mm backset

■ Boxed qty: 1 piece

36.013.06	600 mm
36.013.10	1.000 mm
36.013.13	1.600 mm

Gear, 7,5 mm backset

36.016.06	600 mm
36.016.10	1.000 mm
36.016.13	1.600 mm

Gear, passive

36.014.06	600 mm
36.014.12	1.200 mm

Striker plate

36.012.02	neutral
36.012.00	anti-lift device
36.012.03	SF2 A, P I386, left
36.012.04	SF2 A, P I386, right

Runners

36.400.22	1 Kö SF2 (50 kg)
36.400.31	2 Kö SF2 (70 kg)
36.400.33	3 Kö SF2 Trocal, LB Profile, Roplasto 4003
36.400.38	3 Kö SF3 (30 kg), Kö PremiLine door casement
36.401.01	Runner ORTA P 1672
36.401.15	Tandem runner ORTA P 1683
36.401.16	Runner SF2 A

2A

2B

2C

2D

2E

2F

3

Window fittings

1

Door fittings	Electronic and mechanical residential door locks, anti-panic locks, double-casement fittings, special fittings	2A
	Keeps, special keeps, electric release, profile cylinders	2B
	Handle-sets, pull handles and accessories	2C
	Door hinges, sills, door closer and accessory	2D
	Tilt and slide fitting, folding door fittings, slide fitting	2E
	In planning	2F

Accessories and consumable items

3

In planning

2A

2B

2C

2D

2E

2F

3

Window fittings

1

Door fittings

2

Accessories and consumable items

3

1. wintec® Screws	
1.1 wintec® PS-Screws	3-A-0101
1.2 wintec® WD-Screws	3-A-0141
1.3 wintec® SF-Screws	3-A-0150
1.4 wintec® FBP-Screws, FBS-Screws	3-A-0160
1.5 wintec® Element-Screws	3-A-0170
2. Cover caps and stop nuts	3-A-020
3. Bits, screwdriver blades	3-A-0300 – 3-A-0400
4. Installation accessories	
4.1 Fixing lugs, MTC fixing lugs	3-A-0500 – 3-A-0510
4.2 Fixing bolt, installation screws, threaded bars, screw nipples	3-A-0550 – 3-A-0600
4.3 Assembly support	3-A-0620
4.4 Weldable corner connector	3-A-0650 – 3-A-0651
1. Adhesives, sanding materials	
1.1 PVC-Adhesive, C-Adhesive	3-B-0100
1.2 Multifix-foil	3-B-0101
1.3 Sanding papers, brushes	3-B-0200 – 3-B-0210
2. Cleaners, maintenance articles	
2.1 Rapid-cleaners, alu-cleaners, tissue paper	3-B-0300
2.2 Maintenance-sets, household cleaners	3-B-0315
2.3 Maintenance spray, graphite, pneumatic machine oil	3-B-0320
3. Repair kits	
3.1 RP-harz, fluid	3-B-0340
3.2 Colour kits	3-B-0351 – 3-B-0354
3.3 Repair sets white and brown, hard wax pens	3-B-0360 – 3-B-0363
3.4 Repair kits, single components	3-B-0365
3.5 Colour spray	3-B-0380
1. Special articles for drainage	
1.1 Drainage tube, clamp fixed caps, tube caps	3-C-0100
1.2 Slot covers, old	3-C-0110
1.3 Slot covers „SoftLine“	3-C-0111
1.4 Slot covers „SoftLine“, lateral drainage	3-C-0115
2. Glazing blocks	3-C-0205 – 3-C-0207
3. Glazing rebate liner	3-C-0220
4. Glazing chains	3-C-0390
1. Ornamental fittings and ornamental skirting boards	
1.1 Overview	3-D-0100
1.2 Ornamental fittings, white	3-D-0200 – 3-D-0235
1.3 Ornamental skirting boards, white, cream white	3-D-0300 – 3-D-0305
1. Tools	
1.1 Tools	3-E-0100 – 3-E-0115
0. In planning	3-F

Window fittings

1

Door fittings

2

Accessories and consumable items

Fixing and coupling methods, screws, drill bits, clamping, mounting and fixing devices

3A

Workshop consumable items for glueing, cleaning, sealing, sanding, repair and finishing

3B

Glazing, drainage

3C

Decorative mouldings, ornamental skirting boards

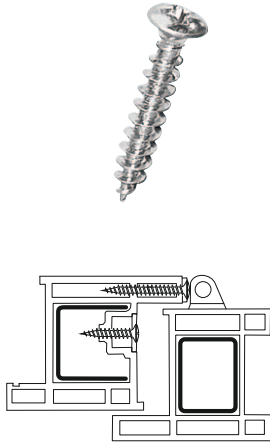
3D

Tools

3E

In planning

3F



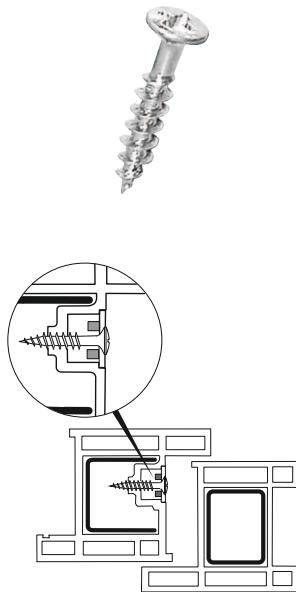
Special screw

For fastening fittings onto PVC profiles, Phillips slot (ph).

Finish: **SilverLine**

■ Boxed qty.: 1.000 and 5.000 pieces

40.040.01	4,3 x 13 mm
40.040.11	4,3 x 16 mm
40.040.21	4,3 x 19 mm
40.040.31	4,3 x 22 mm
40.040.41	4,3 x 25 mm
40.040.51	4,3 x 32 mm
40.040.61	4,3 x 38 mm
40.040.71	4,3 x 45 mm
40.040.81	4,3 x 55 mm
40.040.45	4,3 x 25 mm BlackLine



Special screw

Special screw for fastening fittings into the groove of PVC casement profiles.

Finish: **SilverLine**

■ Boxed qty.: 1.000 and 5.000 pieces

40.114.31	4,3 x 22 mm
-----------	-------------



* on request.



wintec® WD-screw

(similar DIN ISO 7051)

For frictional connection of metal reinforcements. Especially for fastening fittings where self-drilling screws cannot (or only with difficulty) be used.

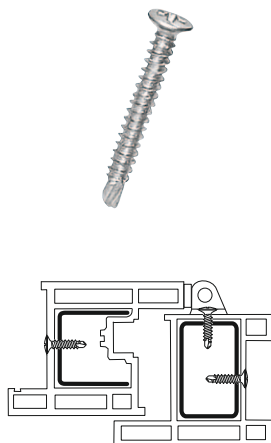
Especially for reinforcements that are subjected to heavy load transfer e.g. horizontal pivot sashes and sashes for conservatories.

■ Boxed qty: 1.000 and 5.000 pieces

41.140.62 4,8 x 38 mm

41.140.82 4,8 x 50 mm





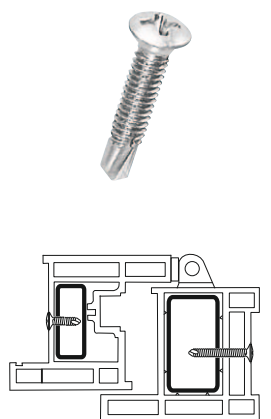
wintec® SF-screw

For frictional connection of metal reinforcements onto PVC profile and also for fastening fittings onto the reinforcements.

Finish: **SilverLine**

■ Boxed qty.: 1.000 and 5.000 pieces

40.130.01	3,9 x 13 mm
40.130.11	3,9 x 16 mm
40.130.21	3,9 x 19 mm
40.130.31	3,9 x 22 mm*
40.130.41	3,9 x 25 mm
40.130.51	3,9 x 32 mm
40.130.61	3,9 x 38 mm



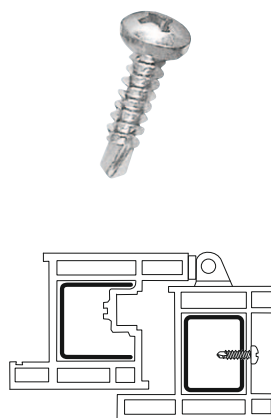
wintec® SFM-screw

as described in wintec® SF, but specially suitable for multi-walled PVC profiles and metal reinforcements with minimum internal dimensions.

Finish: **SilverLine**

■ Boxed qty.: 1.000 and 5.000 pieces

40.230.01	4,0 x 13 mm
40.230.11	4,0 x 16 mm
40.230.21	4,0 x 19 mm



Pan head SF-Screw

or frictional connection of metal reinforcements onto PVC frame profile And also for fastening fittings without countersunk holes.

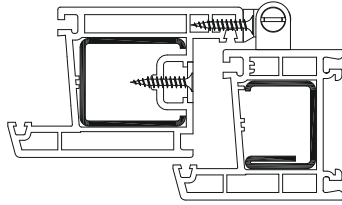
Finish: **SilverLine**

■ Boxed qty.: 1.000 and 5.000 pieces

40.131.11	3,9 x 16 mm
-----------	-------------




* on request.



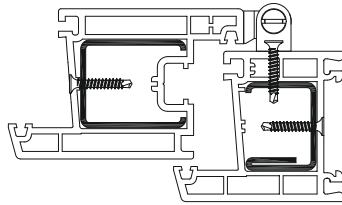
wintec® FBP-screw with flat slot

For fastening fittings onto PVC profiles, Phillips slot.

Finish:  **SilverLine**

■ Boxed qty.: 1.000 and 5.000 pieces

40.044.41	4,0 x 25 mm
40.044.51	4,0 x 32 mm
40.044.61	4,0 x 38 mm



wintec® FBS-screw with flat slot

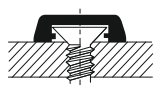
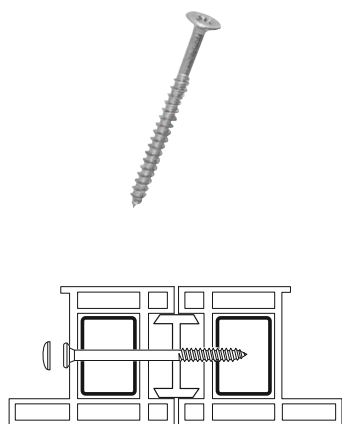
For frictional connection of metal reinforcements onto PVC profiles and also for fastening fittings onto reinforcements.

Finish:  **SilverLine**

■ Boxed qty.: 1.000 and 5.000 pieces

40.132.11	3,9 x 16 mm
40.132.21	3,9 x 19 mm
40.132.41	3,9 x 25 mm
40.132.51	3,9 x 32 mm
40.132.61	3,9 x 38 mm





Element-screws with self-gripping tip

For the mechanical connection of windows, doors and construction elements.

Finish: **SilverLine**

■ Boxed qty.: 100 pieces

Countersunk head, Ø 5 mm

40.550.11	5 x 50 mm
40.560.11	5 x 60 mm
40.570.11	5 x 70 mm
40.580.11	5 x 80 mm
40.590.11	5 x 90 mm
40.510.11	5 x 100 mm

Screws caps

07.100.51	5 mm, white
07.100.52	5 mm, brown

Screws caps

slot Ø approx. 7 mm.

Applicable with DIN 7982 screw Ø 3,9 mm.

■ Boxed qty.: 500 pieces

07.100.71	white
07.100.72	brown
07.100.74	grey

Screws caps

slot Ø approx. 8 mm.

Applicable with DIN 7982 screw Ø 4,2 mm.

■ Boxed qty.: 500 pieces

07.100.81	white
07.100.82	brown
07.100.84	grey

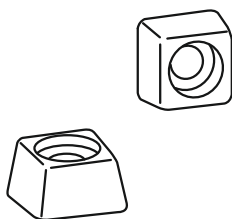
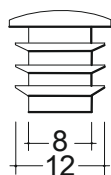
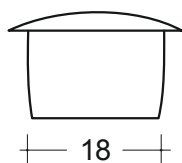
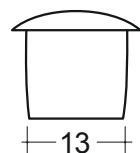
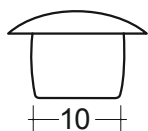
Handle screw, M5 countersunk head

Phillips slot.

■ Boxed qty.: 100 pieces

42.040.12	40 mm length
42.045.12	45 mm length





Cover caps

■ Boxed qty:100 and 500 pieces

Hole Ø 10 mm

- 07.110.01 white
- 07.110.02 brown
- 07.110.03 black
- 07.110.04 grey
- special colours from 10.000 pieces

Hole Ø 13 mm

- 07.113.01 white
- 07.113.02 brown
- 07.113.03 black
- 07.113.04 grey
- 07.113.06 fir green, RAL 6009
- 07.113.07 golden oak
- special colours from 10.000 pieces

Hole Ø 18 mm

- 07.118.01 white
- 07.118.02 brown
- 07.118.03 black
- 07.118.04 grey
- special colours from 10.000 pieces

Ribbed inserts

Hole Ø 10 – 12 mm

■ Boxed qty:100 and 500 pieces

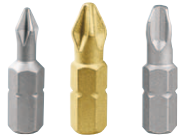
- 07.112.11 white
- 07.112.12 brown

Stop nuts

Hole Ø 10 – 12 mm

■ Boxed qty:1 and 100 pieces

- 01.901.01 white
- 01.901.02 brown



Bits 1/4 " hexagon

Length: 25 mm
 ■ Boxed qty: 1 piece

Phillips (ph)

- 50.001.11 size 1
- 50.001.12 size 2
- 50.001.13 size 3



Pozidrive (pz)

- 50.001.21 size 1
- 50.001.22 size 2
- 50.001.23 size 3



Bits

USA quality, 10/32" Thread for Schüring's feed stroke screwdriver. Uniquick etc., slot

■ Boxed qty: 1 piece

Phillips (ph)

- 50.007.11 size 1 length 45 mm
- 50.007.12 size 2 length 45 mm
- 50.007.03 size 3 length 45 mm



Pozidrive (pz)

- 50.007.22 size 1
- 50.007.23 size 2

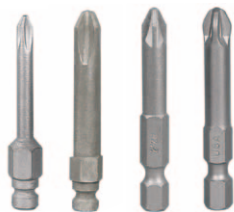


Bits

Length: 50 mm
 ■ Boxed qty: 1 piece

Phillips (ph)

- 50.004.12 5/16" size 2
- 50.005.11 1/ 4" size 1
- 50.005.12 1/ 4" size 2
- 50.005.13 1/ 4" size 3
- 50.006.13 Fine E grade size 3



Bits
USA quality, Phillips-slot.

Length: 50 mm
 ■ Boxed qty: 1 piece

Pozidrive (pz)

- 50.004.21 5/16" size 1
- 50.004.22 5/16" size 2
- 50.004.23 5/16" size 3
- 50.005.21 1/ 4" size 1
- 50.005.22 1/ 4" size 2
- 50.005.23 1/ 4" size 3
- 50.006.21 Fine E grade size 1
- 50.006.22 Fine E grade size 2
- 50.006.23 Fine E grade size 3

Magnetic Sleeve 1/4" hexagon

Length: 75 mm
 ■ Boxed qty: 1 piece

- 50.002.01 1/ 4"
- 50.002.02 5/16"

Non-magnetic Sleeves 1/4" hexagon,

Length: 65 mm
 ■ Boxed qty: 1 piece

- 50.003.01 1/ 4"
- 50.003.02 5/16"
- 50.003.03 Fine E grade

■ **N.B.**

Magnetic sleeves should not be used with steel SD screws, because the magnet causes steel chippings to adhere to the blade point.



HSS Spiral Drill Bits,

straight shank right cutting.

■ Boxed qty: 1 and 10 pieces

DIN 338

53.000.20	Ø 2,0 mm, total length 49 mm
53.000.25	Ø 2,5 mm, total length 57 mm
53.000.28	Ø 2,8 mm, total length 61 mm
53.000.30	Ø 3,0 mm, total length 61 mm
53.000.32	Ø 3,2 mm, total length 65 mm
53.000.35	Ø 3,5 mm, total length 70 mm
53.000.40	Ø 4,0 mm, total length 75 mm
53.000.42	Ø 4,2 mm, total length 75 mm
53.000.45	Ø 4,5 mm, total length 80 mm
53.000.48	Ø 4,8 mm, total length 86 mm
53.000.50	Ø 5,0 mm, total length 86 mm
53.000.51	Ø 5,1 mm, total length 86 mm
53.000.55	Ø 5,5 mm, total length 93 mm
53.000.60	Ø 6,0 mm, total length 93 mm
53.000.61	Ø 6,1 mm, total length 101 mm
53.000.65	Ø 6,5 mm, total length 101 mm
53.000.68	Ø 6,8 mm, total length 109 mm
53.000.70	Ø 7,0 mm, total length 109 mm
53.000.75	Ø 7,5 mm, total length 109 mm
53.000.80	Ø 8,0 mm, total length 117 mm
53.000.86	Ø 8,6 mm, total length 125 mm
53.001.00	Ø 10,0 mm, total length 133 mm
53.001.05	Ø 10,5 mm, total length 133 mm
53.001.20	Ø 12,0 mm, total length 151 mm
53.001.30	Ø 13,0 mm, total length 151 mm

DIN 340

53.010.20	Ø 2,0 mm, total length 85 mm
53.010.25	Ø 2,5 mm, total length 95 mm
53.010.28	Ø 2,8 mm, total length 100 mm
53.010.30	Ø 3,0 mm, total length 100 mm
53.010.32	Ø 3,2 mm, total length 106 mm
53.010.35	Ø 3,5 mm, total length 112 mm
53.010.40	Ø 4,0 mm, total length 119 mm
53.010.42	Ø 4,2 mm, total length 119 mm
53.010.45	Ø 4,5 mm, total length 126 mm
53.010.50	Ø 5,0 mm, total length 132 mm
53.010.55	Ø 5,5 mm, total length 139 mm
53.010.60	Ø 6,0 mm, total length 139 mm
53.010.65	Ø 6,5 mm, total length 148 mm
53.010.70	Ø 7,0 mm, total length 156 mm
53.010.75	Ø 7,5 mm, total length 156 mm
53.010.80	Ø 8,0 mm, total length 117 mm
53.011.00	Ø10,0 mm, total length 184 mm
53.011.05	Ø10,5 mm, total length 184 mm

Special bits on request.



wintec® fixing cleat

with rotating claws for secure installation of PVC windows.

Width: 25 mm
 Length: 160 mm
 ■ Boxed qty.: 250 pieces

- 57.005.01 Hocoplast, Kömmerling Eurodur VS, Plasmo 2000, Schüco AS 60
- 57.005.02 Kömmerling AV (old), Gealan 3000
- 57.005.03 Rehau 702, Wymar 2500*
- 57.005.05 Dimex, KBE 70, Thyssen AD, Schüco Corona
- 57.005.09 Trocal 900*
- 57.005.11 Gealan 7000
- 57.005.14 Finstral, Winsol
- 57.005.33 Kömmerling Future, Kömmerling MPF 70, Dimex Spezial, Dimex Supra
- 57.005.15 Swish, Rehau 735
- 57.005.16 WHS, KÖ Gold
- 57.005.27 Prem.-Concept*
- 57.005.49 Spectus Elite 70*
- 57.005.50 Cork Plastics*

Length: 200 mm
 ■ Boxed qty.: 150 pieces

- 57.025.01 Alphacan, KöVS, Schüco AS 60, Hocoplast*



* on request.



MTC fixing cleat
with rotating claws.

Width: 25 mm
Length: 160 mm
■ Boxed qty.: 250 pieces

- 57.005.37 Accord u. Dimex Contur 7.0
- 57.015.01 Alphacan, Aluplast 5000, Ego Kiefer, Hocoplast, Kömmerling Eurodur 3S
- 57.005.53 Aluplast
- 57.015.34 Alusystem Aliplast Imperial*
- 57.005.21 Brüggmann GoldenLine*
- 57.005.32 Brüggmann AD, MD*
- 57.015.11 Brüggmann Serie 81*
- 57.005.17 Deceplas, Deceuninck Mond. P2081*
- 57.015.08 Deceuninck Zendow, Trocal Innonova 70
- 57.005.12 Gealan 3000
- 57.005.07 Golde (England)
- 57.015.05 KBE 70, Thyssen AD, Schüco Corona
- 57.005.18 Kömmerling AWT 252*
- 57.015.02 Kömmerling AV (alt), Wavin, Wymar*
- 57.015.36 Kömmerling C70
- 57.015.31 L.B. 5000*
- 57.005.26 Plastmo Index
- 57.005.08 Plus Plan
- 57.015.35 Profil 22
- 57.015.03 Rehau S702, Wymar 2500*
- 57.015.04 Rehau S704, S705 (England)*
- 57.015.07 Rehau Basic-Design, Rehau Brillant-Design, Rehau Novo Design, Rehau Thermo-Design
- 57.015.33 Rehau vertical Slider-System
- 57.005.04 Roplasto 6001, Trocal
- 57.005.13 Salamander Universal*
- 57.005.30 Salamander 2D, 3D, MD
- 57.015.30 Schüco CT 70
- 57.005.10 Veka SoftLine
- 57.005.31 Veka TopLine, Veka Matrix 70, Veka AlphaLine
- 57.015.14 Winsol*

Length: 200 mm
■ Boxed qty.: 150 pieces

- 57.005.54 Camden
- 57.005.47 Golde*
- 57.025.01 Kömmerling 3S, Hocoplast, Alphacan, Schüco AS60 *
- 57.025.33 Kömmerling Future, MPF 70 *
- 57.005.40 Plus Plan*
- 57.025.04 Roplasto 6001, Trocal 900 *
- 57.025.30 Salamander 2D, 3D, MD *
- 57.005.42 Veka Topline, Veka Alphaline

Length: 240 mm
■ Boxed qty.: 150 pieces

- 57.025.12 Gealan 7000/8000*
- 57.026.01 Kömmerling Eurodur 3S *
- 57.026.09 Plus Plan *
- 57.025.15 Premier Concept*
- 57.025.14 Rehau 70 *
- 57.025.13 Veka Matrix*



* on request.



Installation Screws Torx

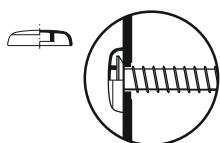
for fixing into the masonry. Pre-drilling installation into frames and masonry (Ø 6 mm).

Diameter: 7,5 mm

■ Boxed qty: 250 pieces

For installation screws 182 mm: . . . 100 pieces

57.072.11	72 mm
57.092.11	92 mm
57.112.11	112 mm
57.132.11	132 mm
57.152.11	152 mm
57.182.11	182 mm
50.001.31	bit Torx T3

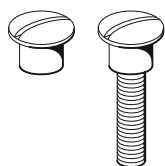


Cover caps

for the perfect finish.

■ Boxed qty: 200 pieces

57.070.01	white
57.070.02	brown



Threaded bar, zinc plated

for connecting profiles.

Length: 1.000 mm

■ Boxed qty: 1 piece

57.001.11 M6

57.001.01 M8

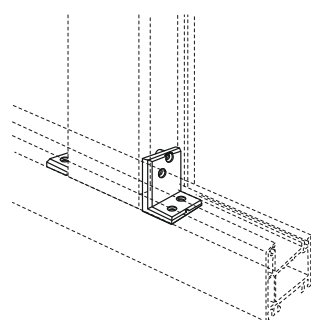
Can be cut to length if required.

Sleeve nut, zinc plated

■ Boxed qty: 100 pieces

57.010.11 Internal thread M6

57.010.01 Internal thread M8



Mullion connector

System Kömmerling

■ Boxed qty: 20 pieces

57.600.01 SilverLine

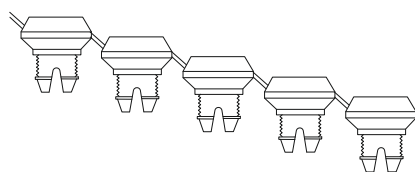


Metal screw nipples

with cutting tip.

■ Boxed qty: 1.000 pieces

55.021.01	Golde, 4 x 10 mm
55.021.02	Vekoplast, Salamander universal
55.021.03	Brüggmann, Gealan, Helmitin, Plus Plan, Rehau, Roplasto, Salamander, Thyssen, Schnicks, Gardinia, O & S, 4 x 10 mm
55.021.04	Stöckel, Trocal, 4 x 10 mm
55.021.06	Kömmerling VK, 4 x 10 mm
55.021.07	Salamander
55.021.08	Schüco 4 x 9 mm



Original Schüring nipple chain

20 nipples per chain, for fixing into pre-drilled 5,5 mm holes.

■ Boxed qty: 1.000 and 6.000 pieces

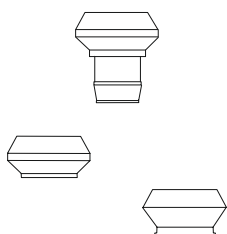
55.001.01	white
-----------	-------

Fixing Nipple

for fixing into pre-drilled 5 mm holes.

■ Boxed qty: 1.000 and 10.000 pieces

55.002.01	white
-----------	-------



Fixing Nipple

for use with Schüring screws. For screw fixing into PVC and PVC + reinforcement.

■ Boxed qty: 1.000 and 10.000 pieces

55.003.03	black with collar
-----------	-------------------



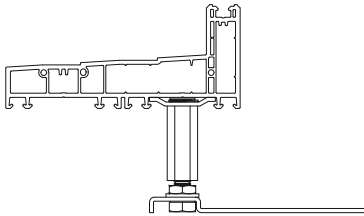
Assembly support, adjustable.

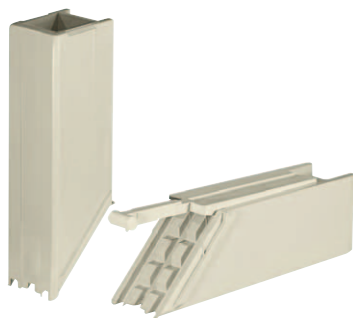
is fixed onto the building structure

- suitable for all elements made of PVC, aluminium, and wood
- available in various sizes

■ Boxed qty.: 1 and 10 pieces

57.401.01	80 – 100 mm*
57.402.01	100 – 150 mm*





Weldable corner connector

made of PVC, for reinforcing the house door

corners (1 set of connectors = 8 pieces).

73.001.01	50 x 40 x 2 mm	Aluplast 2000, 4000; Dimex Contur 7.0 AD, Komfort; KBE AD 58; Brüggmann MD; Kömmerling 3S, Futur, Classic, Gold 70; Rehau S730, Brillant; Salamander 2D/3D; Schüco Corona, MD, CT 70 (BQ = 5 sets)
73.001.02	55 x 45 x 2 mm	Thyssen Prestige (BQ = 5 sets)
73.001.03	55 x 40 x 2 mm	Gealan 3000, 7000 (BQ = 5 sets)
73.001.04	60 x 40 x 2 mm	Brüggmann AD; Roplasto 6001, 7001 (BQ = 5 sets)
73.001.05	60 x 46 x 2 mm	Gealan 8000 (BQ = 4 sets)
73.001.06	50 x 50 x 2 mm	Salamander 2D/3D, Streamline (BQ = 5 sets)
73.001.07	60 x 45 x 2 mm	Salamander 2D/3D, Streamline (BQ = 4 sets)
73.001.08	65 x 45 x 3 mm	Veka Topline AD 70 (BQ = 5 sets)
73.001.09	64 x 41 x 2,5 mm	Trocal 900, Innonova AD, MD (BQ = 5 sets)
73.001.10	60,5 x 46,5 x 4 mm	Gealan 8000 Alu (BQ = 5 sets)
73.001.11	65 x 45 x 2 mm	Veka Topline (BQ = 4 sets)
73.001.12	45 x 45 x 2 mm	Deceuninck 3000 (BQ = 5 sets)
73.001.13	41 x 36 x 2 mm	Innonova 2000 Balkontür (BQ = 10 sets)
73.001.14	26,5 x 40 x 2 mm	Schüco Corona AS 60 MD (BQ = 10 sets)
73.001.15	40 x 40 x 2 mm	Rehau Th. Design NE-Door 70, Rehau S702, S706, Roplasto 6001 (sash 618702), Roplasto 7001 (BQ = 5 sets)
73.001.16	50 x 40 x 2,5 mm	Kömmerling Alu (BQ = 5 sets)
73.001.17	50 x 50 x 3 mm	alternative for Salamander (BQ = 5 sets)
73.001.18	30 x 30 x 2 mm	Veka, BR 101200, 101202, 101204 (BQ = 10 sets)
73.001.19	60 x 40 x 2,5 mm	KBE AD 70 (BQ = 5 sets)
73.001.20	50 x 45 x 2 mm	Thyssen Verst. NA40 (BQ = 5 sets)
73.001.21	50 x 40 x 3 mm	Salamander 415071, 415072 (BQ = 5 sets)
73.001.22	48 x 34 x 2 mm	Extruplast (BQ = 5 sets)
73.001.23	59 x 45 x 2,2 mm	Thyssen LA40 (BQ = 5 sets)
73.001.24	40 x 35 x 2 mm	Aluplast 2000, 4000, 5000, 6000 (BQ = 10 sets)
73.001.25	32 x 41 x 2 mm	Schüco CT70, Flügel 8563, 8509
73.001.26	39 x 40,7 x 2 mm	
73.001.27	55 x 45 x 2,5 mm	Inoutic Elite NA 476
73.001.28	50 x 40 x 1,5 mm	
73.001.29	37 x 34 x 1 mm	
73.001.30	66 x 40 x 2,5 mm	Trocal 88+
73.001.31	39 x 42 x 2 mm	(BQ = 8 sets)
73.001.32	50 x 35 x 2,5 mm	Rehau Geneo (BQ = 5 sets)
73.001.33	60 x 40 x 3 mm	Veka 82 mm (BQ = 5 sets)
73.001.34	48 x 45 x 2 mm	Veka 103202 + 103203 (BQ = 5 sets)
73.001.35	49 x 45 x 2,5 mm	Inoutic (BQ = 5 sets)

Clamping lever

for weldable corner connector

■ Boxed qty.: 1 piece

73.001.00

Pneumatic clamping lever

for weldable corner connector

■ Boxed qty.: 1 piece

73.001.99

Other dimensions are available at short notice. Please state the thickness of the reinforcement.

1 set = 8 pieces



MTS Weldable corner connector

73.004.01	50 x 40 x 2 mm	Aluplast 2000, 4000; Dimex Contur 7.0 AD, Komfort; KBE AD 58; Brüggmann MD; Kömmerling 3S, Futur, Classic, Gold 70; Rehau S730, Brillant; Salamander 2D/3D; Schüco Corona, MD, CT 70 (BQ = 5 sets)
73.004.02	60 x 40 x 2 mm	Brüggmann AD, Roplasto 6001, 7001 (BQ = 5 sets)
73.004.03	60 x 46 x 2 mm	Gealan 8000 (BQ = 4 sets)
73.004.04	64 x 41 x 3,2 mm	(BQ = 5 sets)
73.004.05	64 x 41 x 2,5 mm	Trocal 900, Innonova AD, MD (BQ = 5 sets)
73.004.06	65 x 45 x 2 mm	Veka Topline (BQ = 4 sets)
73.004.07	65 x 45 x 3 mm	Veka Topline AD 70 (BQ = 5 sets)
73.004.08	55 x 45 x 2 mm	Thyssen Prestige (BQ = 5 sets)
73.004.12	45 x 45 x 2 mm	Deceuninck 3000 (BQ = 5 sets)



Clamping lever

for weldable corner connector

■ Boxed qty.: 1 piece

73.001.00

Pneumatic clamping lever

for weldable corner connector

■ Boxed qty.: 1 piece

73.001.99

Other dimensions are available at short notice. Please state the thickness of the reinforcement.

1 set = 8 pieces

Window fittings

1

Door fittings

2

Accessories and consumable items

Fixing and coupling methods, screws, drill bits, clamping, mounting and fixing devices

3A

Workshop consumable items for glueing, cleaning, sealing, sanding, repair and finishing

3B

Glazing, drainage

3C

Decorative mouldings, ornamental skirting boards

3D

Tools

3E

In planning

3F



wintec® adhesives for specialist uses

Fast drying

■ Extra UV-resistant

■ Boxed qty.: 1 and 50 pieces

PVC-adhesive 200 ml Tube

59.001.11 transparent

59.001.01 white



wintec® C-adhesive

Super glue for gaskets made of APTK + EPDM.

■ Boxed qty.: 1 and 20 pieces

Bottle

59.005.01 20 g





Adhesive tape

■ Boxed qty.: 1 and 48 pieces

66 m long

59.006.01 38 mm wide

Adhesive tape

■ Boxed qty.: 1 and 24 pieces

66 m long

59.006.02 50 mm wide



Foil roll

■ Boxed qty.: 1 piece

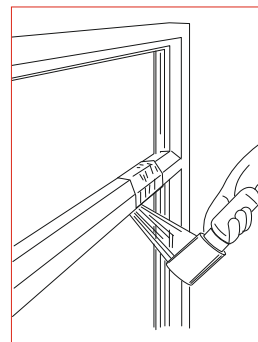
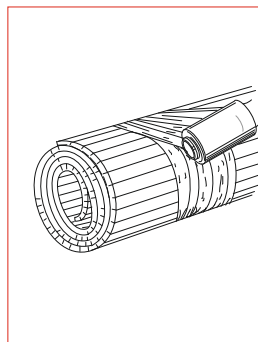
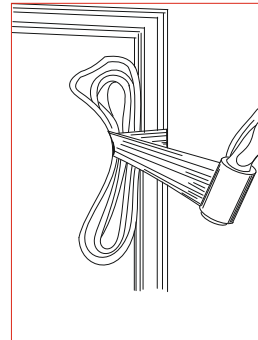
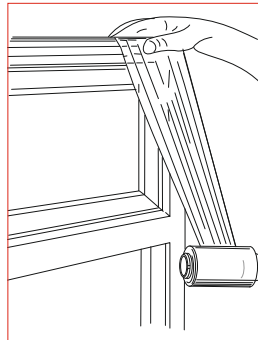
59.007.01

Multifix-Foil

An ideal adhesive-free protective foil for:
securing, packing, etc.

■ Boxed qty.: 1 piece

59.007.02 150 m long, 100 mm wide





Stick-on sandpaper discs
for smoothing surfaces.

Diameter: **110 mm**

■ Boxed qty: 200 pieces

- 62.110.18 grit 180
- 62.110.24 grit 240
- 62.110.32 grit 320
- 62.110.40 grit 400
- 62.110.50 grit 500

Diameter: **125 mm**

■ Boxed qty: 200 pieces

- 62.125.15 grit 150
- 62.125.28 grit 280
- 62.125.32 grit 320
- 62.125.40 grit 400
- 62.125.50 grit 500

Diameter: **150 mm**

■ Boxed qty: 200 pieces

- 62.150.18 grit 150
- 62.150.24 grit 240
- 62.150.32 grit 320
- 62.150.40 grit 400
- 62.150.50 grit 500

Other sizes on request.



Sanding disc

PVC coated rubber.

■ Boxed qty: 1 piece

- 62.110.00 Ø 110 mm
- 62.150.00 Ø 150 mm



Sisal-brushes

Diameter: 80 mm

Height: 80 mm

■ Boxed qty: 1 piece

- 62.101.01 with M8 threaded pin
- 62.102.01 with M14 internal thread
- 62.104.02 M8 adapter for M14 internal thread



Sanding head

for polishing white and brown profiles. Best polishing results are obtained with approx. 3.000 revs/min. With M14 internal thread.

Diameter: 80 mm

Height: 80 mm

■ Boxed qty: 1 piece

- 62.103.01 300, for white profiles
- 62.104.01 400, for brown profiles
- 62.104.02 M8 adapter for M14 internal thread

Other sizes on request.



Special purpose cleaner for removing pencil and felt tip marks, adhesive residue, rubber and metal traces.

- Contains an UV stabiliser, an anti-static agent and is weather resilient.

■ Boxed qty: 1 and 10 pieces

Rapid-Cleaner for white PVC profiles.

61.101.02	1 Litre
61.101.04	10 Litres
61.101.05	30 Litres

Rapid-Cleaner for coloured and coated PVC profiles.

61.102.02	1 Litre
61.102.05	30 Litres

Alu-Cleaner for anodized and coated Alu profiles.

61.201.02	1 Litre
61.201.05	30 Litres

- Removes lime and mortar residue, foam, bitumen etc.



Plunger can

dispenses Schüring's cleaning fluid safety and economically when used with our cleaning tissue paper. Ecologically friendly.

■ Boxed qty: 1 piece

61.015.01



Tissue paper, white

double layered, large roll.

Width: 260 mm

Length: 1.000 m

■ Boxed qty: 1 piece

61.003.01

Roll stand

61.003.00



The household cleaners

The cleaners gently remove grime caused by oil heating, industrial and car exhaust fumes.

■ Boxed qty.: 1 and 10 pieces

1 Household-cleaners for white PVC profiles

61.301.01 500 ml

2 Household-cleaners for coloured and coated PVC profiles

61.302.01 500 ml



Maintenance-set

for PVC windows and doors and roller shutters. Anti-static and biologically disposable.

■ Contents

- 500 ml Household Cleaner,
- 100 ml Maintenance Fluid for sealing materials,
- 100 ml Maintenance Spray
- Cleaning Cloth
- Maintenance Instructions

■ Boxed qty.: 1 piece

61.610.01 white
61.610.02 colour



Maintenance-set

for PVC- windows and doors and roller shutters. Anti-static and biologically disposable, anti-bacterial, user friendly, non flammable.

■ Contents

- 100 ml Intensive Cleaner,
- 50 ml Maintenance Fluid for sealing materials
- 20 ml Maintenance Spray
- Cleaning Cloth
- Maintenance Instructions

■ Boxed qty.: 1 piece

61.610.11 white
61.610.12 colour



- Special
- Household Cleaner
- Environmentally friendly

Send for our brochure "Cleaners".





Pneumatic machine oil

for the lubrication of pneumatic tools.
Guarantees maximum performance and prevents corrosion and premature wear.

■ Boxed qty.: 1 piece

9100.1981 3 Litres

For pneumatic machines see section 4.



Graphite powder

Maintenance and care powder specially for profile cylinder locks. Fine powder 95-96% C.

■ Boxed qty.: 1 piece

61.005.01 95 ml

For profile cylinders see from page 2-B-0300.



Maintenance spray

for fittings and locks.

■ Boxed qty.: 1 and 10 pieces

61.004.01 100 ml



- Special
- Household Cleaner
- Environmentally friendly

Order the maintenance instructions for your customers.





RP-Repair Kit

for white PVC profiles.

2 components: powder and fluid.

■ Boxed qty.: 1 and 10 pieces

Profile	Colour	Art. No. Powder	Art. No. Fluid
Acome	white	60.001.14	60.003.04
Actual	white	60.001.03	60.003.04
Aluplast	white	60.001.03	60.003.04
Axis	white	60.001.15	60.003.02
Banbury	white	60.001.03	60.003.04
Batystyl	white	60.001.18	60.003.04
Brüggmann AD/MD	white	60.001.07	60.003.04
Brüggmann Golden Line	white	60.001.07	60.003.04
Brüggmann Serie 81	white	60.001.03	60.003.04
Deceuninck	white	60.001.18	60.003.04
Deltaplast	white	60.001.07	60.003.04
Duraflex	white	60.001.11	60.003.04
Finstral	white	60.001.03	60.003.04
Gealan	white	60.001.03	60.003.04
Gregoire Menuiserie	white	60.001.17	60.003.04
His	white	60.001.03	60.003.04
K 2	white	60.001.18	60.003.04
Kömmerling	white	60.001.03	60.003.04
Kömmerling	cream white/Ral 9001	60.001.16	60.003.04
L.B.profile.	white	60.001.06	60.003.02
Marshall Tufflex	white	60.001.14	60.003.04
Moderne Bauelemente	white	60.001.17	60.003.04
Plastil	white	60.001.11	60.003.04
Plastival	white	60.001.11	60.003.04
Plastmo	white	60.001.07	60.003.04
Plus Plan	white	60.001.07	60.003.04
Polifin	white	60.001.18	60.003.04
Premier	white	60.001.07	60.003.04
Profilia	white	60.001.03	60.003.04
Rehau	white	60.001.03	60.003.04
Roplasto	white	60.001.14	60.003.02
Salamander	white	60.001.06	60.003.04
Schmidtnorm	white	60.001.17	60.003.04
Schüco	white	60.001.03	60.003.04
Schüco	cream white/Ral 9001	60.001.16	60.003.04
Selecta	white	60.001.06	60.003.02
Sheerframe	white	60.001.17	60.003.04
Smart	white	60.001.08	60.003.04
Spectus, Elite 70	white	60.001.03	60.003.04
Status	white	60.001.02	60.003.02
Swish	white	60.001.07	60.003.04
Thermoframe	white	60.001.17	60.003.04
Thyssen	white	60.001.07	60.003.04
Thyssen	cream white/Ral 9001	60.001.16	60.003.04
Trocal	white	60.001.07	60.003.04
Tryba	white	60.001.07	60.003.04
Veka	white	60.001.07	60.003.04
Veka	cream white/Ral 9001	60.001.16	60.003.04
Worth	white	60.001.15	60.003.02
Wymar/Profex	white	60.001.03	60.003.04

Refillable Containers

60.000.01	Mini tin, powder 250 g
60.000.02	Mini bottle 125 ml
60.000.03	Funnel

When ordering please state profile system and colour. Follow the instructions.



Colouring pens

For quick, uncomplicated colouring of corners, edges and mitre-grooves on foil-covered PVC window and door profiles. Suitable for internal and external use.

■ Boxed qty.: 10 pieces

Art. No.	Colour	Foil ref.	RAL ref.
61.511.06	Crown Platin base	129-3001-195	
61.511.11	light oak (141)	3167002	
61.511.12	dark oak (143)		
61.511.13	dark mahogany (114)		
61.511.14	pine (203)		
61.511.15	dark brown (166)		
61.511.16	white (350)		9010
61.511.17	rustic oak (302)		
61.511.18	light mahogany (113)		
61.511.19	black (758)		9005
61.511.20	mahogany	2097013	
61.511.21	white		9016
61.511.22	cherry tree (104)		
61.511.23	mahogany, dark brown (163)		
61.511.24	mahogany base	2065021	
61.511.25	golden oak	2178001	
61.511.26	mahogany grain	2065021	
61.511.28	black (757)		9011
61.511.30	brown black	851805	8022
61.511.32	signal-white		9003
61.511.33	pearl white		1013
61.511.34	agate grey		7038
61.511.35	pine green		6009
61.511.37	light rustic oak	3156003	
61.511.38	steel blue	515005	5011
61.511.39	silver grey	715505	7001
61.511.40	anthracite grey	701605	7016
61.511.42	moor oak (157)	2052089	
61.511.43	cream white	137905	9001
61.511.44	walnut-palisander base	2178007	
61.511.45	nogal toscana	2167003	
61.511.46	cherry tree	3202001	
61.511.47	dark green	612505	
61.511.48	ivory	101505	
61.511.49	light oregon	1192001	
61.511.50	brown red	313005	3011
61.511.51	red dark (167)	308105	
61.511.52	nevada	2167002	
61.511.53	light grey	725105	7035
61.511.54	quartz grey		7039
61.511.56	moss green		6005
61.511.57	douglasie	3152009	
61.510.00	tip replacements		



Colouring pens

For quick, uncomplicated colouring of corners, edges and mitre-grooves on foil-covered PVC window and door profiles. Suitable for internal and external use.

■ Boxed qty.: 10 pieces

Art. No.	Colour	Foil ref.	RAL ref.
61.511.58	white aluminium	975195	9006
61.511.59	beige grey	710295	7006
61.511.60	umbra grey	710595	7022
61.511.61	brilliant blue	500705	5007
61.511.62	wine red		3005
61.511.63	chimney red		3002
61.511.64	zinc yellow	108707	
61.511.65	flame red	305405	
61.511.66	chocolate brown	887505	
61.511.67	slate grey		7015
61.511.68	sky blue		5015
61.511.69	basalt grey		7012
61.511.70	chestnut brown	1809905	
61.511.71	black grey	7021-05	
61.511.73	slate grey	7015-083	
61.511.74	cherry	3162002	
61.511.76	white	137007	
61.511.77	shogun	49197	
61.511.78	quartz grey	1703905	
61.511.79	signal grey	7004.050	
61.511.80	traffic grey	710195-083	7042
61.511.81	brown grey	710395-083	7013
61.511.82	concrete grey	1702305	7023
61.511.83	nut brown palisander structure	2178007	
61.511.84	moor oak	3167004	
61.511.85	oak	3149008	
61.511.86	natural oak	3118076	
61.511.87	mountain pine	3069041	
61.511.88	window grey		7040
61.511.90	cherry blossom	3214008	
61.511.91	antique oak	3211006	
61.511.92	rustic cherry	3214007	
61.511.93	grey silk		7044
61.511.94	monument blue	500405	
61.511.95	green black	992505	
61.511.96	sierra red	49233	
61.511.97	sierra noce	49237	
61.511.98	indian	49198	
61.510.00	tip replacements		



Colouring pens

For quick, uncomplicated colouring of corners, edges and mitre-grooves on foil-covered PVC window and door profiles. Suitable for internal and external use.

■ Boxed qty.: 10 pieces

Art. No.	Colour	Foil ref.	RAL ref.
61.510.22	blue grey		7031
61.510.25	dark walnut (Hornschuch)	436-3042	
61.510.26	light walnut (Hornschuch)	436-3041	
61.510.27	cherry wood (Hornschuch)	436-3043	
61.510.28	olive green		7002
61.510.29	Grauglatt (Hornschuch)	436-7049	
61.510.30	asphalt gray	734205-195	
61.510.32	tomato red		3013
61.510.33	copper-brown		8004
61.510.34	Azul (Renolit)	5372-05-195	
61.510.35	Earlplatin	129-3010-195	
61.510.36	Sepia-brown		8014
61.510.37	grey-beige (Renolit)	101-90501	
61.510.38	Anteak (Renolit)	324-1002	
61.510.39	Pearl (Hornschuch)	436-6015	
61.510.40	Stone (Hornschuch)	436-6023	
61.510.41	graphite black, Ash C 35 (Renolit)	710595-083	
61.510.42	Flemisch Gold C 33 (Renolit)	710395-083	
61.510.43	Crown Platin (Renolit)	1293001-195	
61.510.44	Metbrush Platin (Hornschuch)	436-1004	
61.510.45	Metbrush quartz grey (Hornschuch)	436-1005	
61.510.46	papyrus white	901805	
61.510.47	purpur red Renolit	308105-083	
61.510.48	purpur red		3004
61.510.49	Winchester Cova	49240	
61.510.50	silicic white (Hornschuch)	436-7032	
61.510.51	anthracite matt	49122	
61.510.52	silver grey matt	49124	
61.510.53	fir green matt	49110	
61.510.54	Canadian	49195	
61.510.55	purpur red	308105	
61.510.56	douglasie	3069037	
61.510.57	light ivory		1015
61.510.58	cream white(Hornschuch)	154-0489	
61.510.59	Winchester	49420	
61.510.60	Montana	49197	
61.510.61	oregon III	2115008	
61.510.62	brown grey (Hornschuch)	TTC 1004	
61.510.63	silk grey (Hornschuch)	436-5031	
61.510.64	white aluminium 60 (Dec. 925)	970495	
61.510.65	ALAYOU (Tryba)	82506	
61.510.66	terra walnut (Hornschuch)	436-3059	
61.510.67	colonial walnut (Hornschuch)	436-3062	
61.510.68	birch (Hornschuch)	436-3031	
61.510.69	aluminium grey		9007
61.510.70	Irish Oak	3211005-148	
61.510.71	smaragd green	611005-167	
61.510.72	umbra grey		7022
61.510.00	tip replacements		



Colouring pens

For quick, uncomplicated colouring of corners, edges and mitre-grooves on foil-covered PVC window and door profile Suitable for internal and external use.

■ Boxed qty.: 10 pieces

Art. No.	Colour	Foil ref.	RAL ref.
61.510.09	Sierra (Renolit)	2167009-167	
61.510.13	blue green (Renolit)	6004-05	
61.510.14	quartz platin (Renolit)	1293002-195	
61.510.17	silver grey (Hornschuch)	436-5049	
61.510.73	stone grey		7030
61.510.75	cobalt blue	5013-05	
61.510.76	ruby red	3003-05	3003
61.510.77	oak light	2052-090	
61.510.78	oregon brown	4262-014	
61.510.79	smaragd green	6110-05	
61.510.80	nut tree (Hornschuch)	436-2035	
61.510.81	cherry (Hornschuch)	436-2032	
61.510.82	palis. nut tree (Hornschuch)	436-2048	
61.510.83	golden oak (Hornschuch)	436-2036	
61.510.84	ivory (Hornschuch)	436-5015	
61.510.85	quartz grey (Hornschuch)	EF1540408	
61.510.86	dark green	436-5021	
61.510.87	anthracite grey (Hornschuch)	436-5003	
61.510.88	light grey (Hornschuch)	436-5002	
61.510.89	night blue (Hornschuch)	436-5010	
61.510.90	steel blue (Hornschuch)	436-5006	
61.510.91	white structure (Hornschuch)	436-5001	
61.510.92	brush-finished	436-1001	
61.510.93	titan white (Dec. 647)	929405	
61.510.94	aluminium white (Dec. 908)	975195	
61.510.95	aluminium grey (Dec. 911)	710295	
61.510.96	graphite black 62 (Dec. 921)	710595	
61.510.97	lithium grey 63 (Dec. 648)	710095	
61.510.98	thorium grey 64 (Dec. 649)	710195	
61.510.99	brass brown 68 (Dec. 650)	710395	
61.510.00	tip replacements		



Repair sets

for white and brown profiles.

■ Boxed qty: 1 piece

- 61.500.03 Repair Sets consisting of:
 1 x mini melter (battery operated)
 4 x hard wax (white, transparent, brown, mahogany)*
 1 x cleaning cloth
 1 x fleece coarse

Hard Wax Plus

in a variety of Renolit colours,
 for upgrading the repair set.

■ Boxed qty: 10 pairs

- 61.513.06 golden oak, foil ref. 2178001
 61.513.07 anthracite grey, foil ref. 701605
 61.513.08 steel blue, foil ref. 515005
 61.513.09 brown black, foil ref. 851805
 61.513.10 dark green, foil ref. 612505
 61.513.11 cream white, foil ref. 137905
 61.513.12 nogal toscana, foil ref. 2167003
 61.513.13 nut tree, foil ref. 2178007
 61.513.14 cherry, foil ref. 3202001
 61.513.15 dark red, foil ref. 308105/313005
 61.513.16 traffic white, RAL ref. 9016
 61.513.17 dark oak, foil ref. 2052089-167
 61.513.18 mahogany, foil ref. 2065021
 61.513.19 pearl white, RAL ref. 1013
 61.513.20 fir green, RAL ref. 6009
 61.513.21 grey, foil ref. 715505
 61.513.22 light grey, foil ref. 725105
 61.513.23 wine red, foil ref. 1300505
 61.513.24 quartz grey, RAL ref. 7039
 61.513.25 silver grey, RAL ref. 7001
 61.513.26 pure white, RAL ref. 9010
 61.513.27 concrete grey, RAL ref. 7023
 61.513.28 titan white, foil ref. 9794.05
 61.513.29 alu white, foil ref. 9751.95
 61.513.30 alu grey, foil ref. 7102.95
 61.513.31 graphite black, foil ref. 7105.95
 61.513.32 lithium grey, foil ref. 7500.95
 61.513.33 thorium grey, foil ref. 7101.95
 61.513.34 brass grey, foil ref. 7103.95
 61.513.35 umbra grey, RAL ref. 7022



* Other Renolit colours are available on request.

More hard wax items, see page 3-B-0361



Hard Wax Plus

in a variety of Renolit colours,
for upgrading the repair set.

■ Boxed qty.: 10 pairs

61.513.36	stone grey, RAL ref. 7030
61.513.37	transparent
61.513.38	basalt grey, RAL ref. 7012
61.513.39	signal grey, RAL ref. 7004
61.513.40	silk grey, RAL ref. 7044
61.513.41	white peopled, similar Renolit 9152.05
61.513.42	Hornschuch 436-3031
61.513.43	Hornschuch 436-3062
61.513.44	Hornschuch 436-5031
61.513.45	Hornschuch 436-6034
61.513.46	Hornschuch 436-6032
61.513.47	Hornschuch 436-6023
61.513.48	Hornschuch 436-5043 TTC-100
61.513.49	Hornschuch 436-3059
61.513.50	Renolit 8875.05
61.513.51	Renolit 49237
61.513.52	Renolit 49233
61.513.53	Renolit 5007.05
61.513.54	Renolit 7038.05
61.513.55	RAL 9001, cream white
61.513.56	RAL 9003, signal white
61.513.57	RAL 9006, aluminium white
61.513.58	Base Rosewood
61.513.59	Irish Oak, Renolit 3211.005
61.513.60	Rustic oak, Renolit 3156.003
61.513.61	Beige gray, RAL ref. 7006
61.513.62	Black gray, RAL ref. 7021
61.513.64	Blue green (Renolit) 6004-05
61.513.65	Metbrush Silver (Hornschuch) 436-1002
61.513.66	Black brown (Hornschuch) 436-6010
61.513.67	Sheffield Oak Light (Hornschuch) 456-3081



Sanding and polishing set

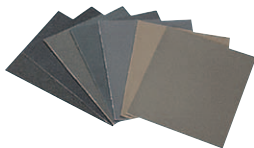
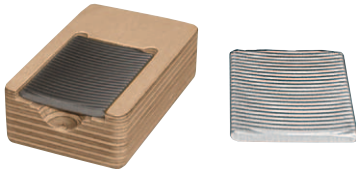
for white profiles.

■ Boxed qty: 1 piece

61.500.02

Consisting of:

- 1 x plastic putty knife
- 3 x micro sanding cloths
- 1 x cork sanding block with felt pad
- 5 x paper wipes
- 5 x assortment of cotton cloths DIN A5
- 1 x polishing paste "coarse-grained", 250 ml bottle
- 1 x water mark brush



Melting-Kobold

for work with protective lacquer.

■ Boxed qty.: 1 piece

61.500.04 Melting-Kobold

Plane

A precision tool for finely planing down filler material without scratching the surrounding surface.

■ Boxed qty.: 1 piece

61.500.11 Plane

61.500.07 Filling material plane

Scraper

For removing filler material and scratches on areas difficult to access e.g. installed PVC windows.

■ Boxed qty.: 1 piece

61.500.12 long 150 x 50 mm

61.500.13 short 75 x 50 mm

A selection of micro sanding cloths

For sanding away fine scratches on all lacquered surfaces, hard PVC, brass and aluminium.

■ Boxed qty.: 1 piece

61.500.22 7 grits

61.500.32 cork pad for the micro sanding linen

Sanding paper "wet"

■ Boxed qty.: 1 piece

61.502.01 grit 240

61.502.02 grit 280

61.502.03 grit 320

61.502.04 grit 400

61.502.05 grit 500

61.502.06 grit 600

61.502.07 grit 800

61.502.08 grit 1000

61.502.09 grit 1200

Selection of soft waxes

■ Boxed qty.: 1 piece

61.514.01 light shades of wood

61.514.02 shades of wood

Acrylic topcoat paint

Specially for coating PVC surfaces.

A spray system for repainting and touching up repair work.

Also for touching up partial areas. Recommended for indoor and outdoor use.

■ Boxed qty.: 6 pieces

Art. No.	Colour	Renolit/RAL
61.520.01	steel blue/1185 96	5150.05
61.520.17	silk matt colourless	
61.520.18	white	9016
61.520.19	glossy silk ProSilikon	
61.520.20	dark brown	8518.05
61.520.21	grey 62290	7155.05
61.520.22	dark red	3081.05-167
61.520.23	anthracite grey	7016.05-167
61.520.24	agate grey	7038.05-167
61.520.26	quartz grey	7039
61.520.27	golden oak	2178001
61.520.28	dark green	612505
61.520.29	black cherry	3202001
61.520.30	cream white	9001
61.520.31	titan white F 46	929405
61.520.32	aluminium white F 60	975195
61.520.33	aluminium grey F 61	710295
61.520.34	graphite black F 62	710595
61.520.35	lithium grey F 63	710095
61.520.36	thorium grey F 64	710195
61.520.37	brass brown	710395
61.520.38	light ivory	1379.05
61.520.39	nut tree	2178.007
61.520.40	wine red	3005.05
61.520.41	stone grey Rehau Colour 111	
61.520.42	concrete grey	7023
61.520.43	grey silk (Hornschuch)	436-5031
61.520.44	smoke (Hornschuch)	436-6032
61.520.45	beige SFTN matt (Hornschuch)	436-6015
61.520.46	taupe (Hornschuch)	436-5043
61.520.47	black gray	436-6023
61.520.48	olive (Hornschuch)	436-6034
61.520.49	basalt grey	7012.05
61.520.51	black	9017
61.520.52	dark oak	2052.089-167
61.520.53	signal grey	7004.05-083
61.520.54	slate grey	7015
61.520.55	Cherry Piemont (Hornschuch)	436-2032
61.520.56	Metbrush Silver (Hornschuch)	436-1002
61.520.57	Black Brown (Hornschuch)	436-6010
61.520.58	Sheffield Oak Light (Hornschuch)	456-3081
61.520.59	silver grey RAL 7001	7155.05-116700
61.520.60	Metbrush Aluminium	463-1001
61.520.61	Alux DB 703	436-1014

Window fittings

1

Door fittings

2

Accessories and consumable items

Fixing and coupling methods, screws, drill bits, clamping, mounting and fixing devices

3A

Workshop consumable items for glueing, cleaning, sealing, sanding, repair and finishing

3B

Glazing, drainage

3C

Decorative mouldings, ornamental skirting boards

3D

Tools

3E

In planning

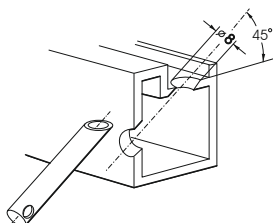
3F



Drainage tube

Length: 1 m
 Diameter: 8 mm
 ■ Boxed qty.: 1 piece

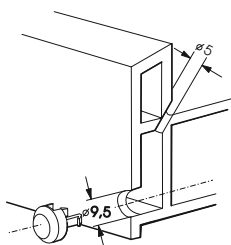
- 63.001.01 white
- 63.001.02 brown



Drainage tube

Length: 58 mm
 Diameter: 8 mm
 ■ Boxed qty.: 100 and 500 pieces

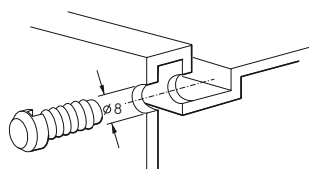
- 63.002.01 white
- 63.002.02 brown



Clamp fixed caps

Head diameter: 14 mm
 Hole diameter: 9,5 mm
 ■ Boxed qty.: 100 pieces

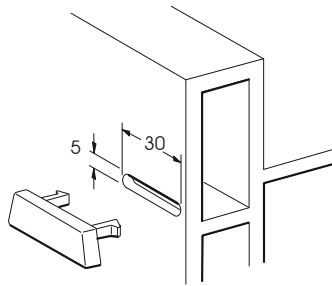
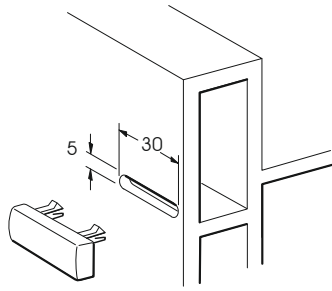
- 63.003.01 white 2,6 - 3,5 mm profile wall thickness
- 63.003.11 white 3,5 - 4,0 mm profile wall thickness
- 63.003.21 white 4,0 - 4,35 mm profile wall thickness
- 63.003.02 brown 2,6 - 3,5 mm profile wall thickness
- 63.003.12 brown 3,5 - 4,0 mm profile wall thickness
- 63.003.22 brown 4,0 - 4,35 mm profile wall thickness



Tube caps

Length: 26 mm
 Head diameter: 14 mm
 Hole diameter: 8 mm
 ■ Boxed qty.: 100 and 500 pieces

- 63.004.01 white
- 63.004.02 brown



Slot covers

made of UV-stable material!
With improved clamp effect.

Slot width: 30 mm
Slot height: 5 mm
Width 38 mm
Height: 12 mm
■ Boxed qty.: 100 and 500 pieces

- 63.005.01 white 3-4 mm profile wall thickness
- 63.005.02 brown 3-4 mm profile wall thickness
- 63.005.21 white KöAV profile wall thickness, sideway clamping
- 63.005.51 white 3-4 mm profile wall thickness, sideway clamping
- 63.005.22 brown KöAV profile wall thickness, sideway clamping
- 63.005.52 brown 3-4 mm profile wall thickness, sideway clamping
- 63.005.04 dark blue 3-4 mm profile wall thickness, RAL 5005
- 63.005.05 light blue 3-4 mm profile wall thickness, RAL 5015
- 63.005.18 black/brown 3-4 mm
- 63.005.19 iron grey, RAL 7011 3-4 mm

- 63.005.31 white 2 mm profile wall thickness, sideway clamping
- 63.005.32 brown 2 mm profile wall thickness, sideway clamping
- 63.005.33 window rgrey, RAL 7040 2mm, sideway clamping
- 63.005.34 traffic black 2 mm, RAL 9017, sideway clamping





Slot covers "SoftLine"

made of UV-stable material!
Reinforced clamping fixtures ensure secure fitting. Faster drainage.

Slot width: 30 mm
Slot height: 5 mm
Width 36 mm
Height: 15,5 mm
■ Boxed qty.: 100 pieces

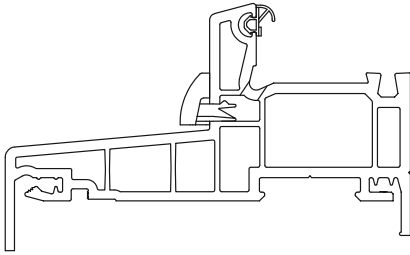
63.006.01	white, similar RAL 9003
63.006.02	brown, similar RAL 8019
63.006.03	traffic white (Salam.), similar RAL 9016
63.006.04	signal blue, foil ref. 503005, similar RAL 5005
63.006.05	black brown, foil ref. 851805, similar RAL 8022
63.006.07	silver grey, foil ref. 715505, similar RAL 7001
63.006.08	moss green, foil ref. 600505, similar RAL 6005
63.006.09	cream white, similar RAL 9001
63.006.22	stone grey, similar RAL 7030
63.006.23	golden oak, foil ref. 2178001
63.006.24	mountain pine, foil ref. 3069041
63.006.25	oregon, foil ref. 2115008
63.006.27	anthracite grey, foil ref. 7016005, similar RAL 7016
63.006.28	steel blue, foil ref. 515505, similar RAL 5011
63.006.29	fir green, foil ref. 612505, similar RAL 6009
63.006.33	coal black, similar RAL 9005
63.006.34	mahogany, foil ref. 2065021
63.006.36	moor oak, foil ref. 2052089
63.006.51	basalt grey, similar RAL 7012
63.006.53	quartz grey, similar RAL 7039

The next colours on request (from 2.500 pieces)

63.006.30	snow white, similar RAL 9010
63.006.31	brilliant blue, foil ref. 500705, similar RAL 5007
63.006.32	sepia, brown RAL 8014
63.006.35	rustic oak, foil ref. 3156003
63.006.37	douglas fir, foil ref. 3069037
63.006.38	light oak, foil ref. 3118076
63.006.39	douglas striped, foil ref. 3152009
63.006.41	cobalt blue, foil ref. 501905, similar RAL 5013
63.006.42	fire red, foil ref. 305405, similar RAL 3000
63.006.43	ruby red , foil ref. 300305, similar RAL 3003
63.006.44	crimson, foil ref. 3004
63.006.46	agate grey, foil ref. 703805, similar RAL 7038
63.006.47	canadian, foil ref. 49195
63.006.48	montana, foil ref. 49197
63.006.49	indian, foil ref. 49198
63.006.50	wine red, similar RAL 3005
63.006.52	light grey, similar RAL 7035
63.006.56	concrete grey, similar RAL 7023
63.006.57	silk grey, similar RAL 7044
63.006.58	signal grey, similar RAL 7004
63.006.59	slate grey, similar RAL 7015
63.006.60	grey beige, similar RAL 1019
63.006.61	pebble gray, similar RAL 7032

* on request we would be pleased to supply this product with your company logo.

Schüring PLUS



Slot covers „SoftLine“S

made of UV-stable material!

Drainage with a lateral down- pipe-opening; this is necessary when the drainage slot is situated relatively close above the end-profile e.g. in the case of Monoblock - profiles.

Slot width: 30 mm
 Slot height: 5 mm
 Width 36 mm
 Height: 15,5 mm
 ■ Boxed qty.: 100 pieces

- 63.009.01 white, similar RAL 9003
- 63.009.02 brown, similar RAL 8019
- 63.009.07 silver grey, foil ref. 715505, similar RAL 7001
- 63.009.09 cream white, foil ref. 137905, similar RAL 9001
- 63.009.10 golden oak, foil ref. 2178001
- 63.009.27 anthracite grey, similar RAL 7016
- 63.009.28 steel blue, similar RAL 5011
- 63.009.29 pine green, similar RAL 6009
- 63.009.51 quartz grey, foil ref. 703905-167, similar RAL 7039

The following colours are available on request (from 2.500 pieces)

- 63.009.05 black brown, similar RAL 8022
- 63.009.25 oregon, foil ref. 2115008-167
- 63.009.35 rustic oak, foil ref. 3156003
- 63.009.43 ruby red, similar RAL 3003
- 63.009.52 pearl white, similar RAL 1013
- 63.009.54 concrete grey, similar RAL 7023
- 63.009.55 black grey, similar RAL 7021
- 63.009.56 basalt grey, similar RAL 7012
- 63.009.57 birch rose, similar Hornschuh F 436-3131
- 63.009.58 silk grey, similar Hornschuh F 436-5031
- 63.009.59 brown grey, similar Hornschuh TTC 1004



Glazing blocks made of Polypropylen (PP)

- for optimum edge sealing
- temperature resistant
- pressure resistant

Length: 100 mm

■ Boxed qty.: 1.000 pieces

20 mm wide

64.120.01	1 mm white
64.120.02	2 mm blue
64.120.03	3 mm red
64.120.04	4 mm yellow
64.120.05	5 mm green
64.120.06	6 mm black

22 mm wide

64.122.01	1 mm white
64.122.02	2 mm blue
64.122.03	3 mm red
64.122.04	4 mm yellow
64.122.05	5 mm green
64.122.06	6 mm black

24 mm wide

64.124.01	1 mm white
64.124.02	2 mm blue
64.124.03	3 mm red
64.124.04	4 mm yellow
64.124.05	5 mm green
64.124.06	6 mm black

26 mm wide

64.126.01	1 mm white
64.126.02	2 mm blue
64.126.03	3 mm red
64.126.04	4 mm yellow
64.126.05	5 mm green
64.126.06	6 mm black
64.126.08	8 mm grey

28 mm wide

64.128.01	1 mm white
64.128.02	2 mm blue
64.128.03	3 mm red
64.128.04	4 mm yellow
64.128.05	5 mm green
64.128.06	6 mm black

30 mm wide

64.130.01	1 mm white
64.130.02	2 mm blue
64.130.03	3 mm red
64.130.04	4 mm yellow
64.130.05	5 mm green
64.130.06	6 mm black



Glazing blocks made of Polypropylen (PP)

- for optimum edge sealing
- temperature resistant
- pressure resistant

Length: 100 mm

■ Boxed qty.: 1.000 pieces

32 mm wide

64.132.01	1 mm white
64.132.02	2 mm blue
64.132.03	3 mm red
64.132.04	4 mm yellow
64.132.05	5 mm green
64.132.06	6 mm black

34 mm wide

64.134.01	1 mm white
64.134.02	2 mm blue
64.134.03	3 mm red
64.134.04	4 mm yellow
64.134.05	5 mm green
64.134.06	6 mm black

36 mm wide

64.136.01	1 mm white
64.136.02	2 mm blue
64.136.03	3 mm red
64.136.04	4 mm yellow
64.136.05	5 mm green
64.136.06	6 mm black

40 mm wide

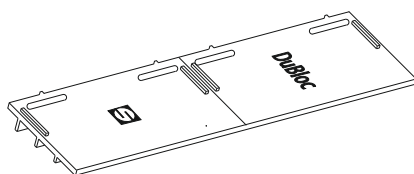
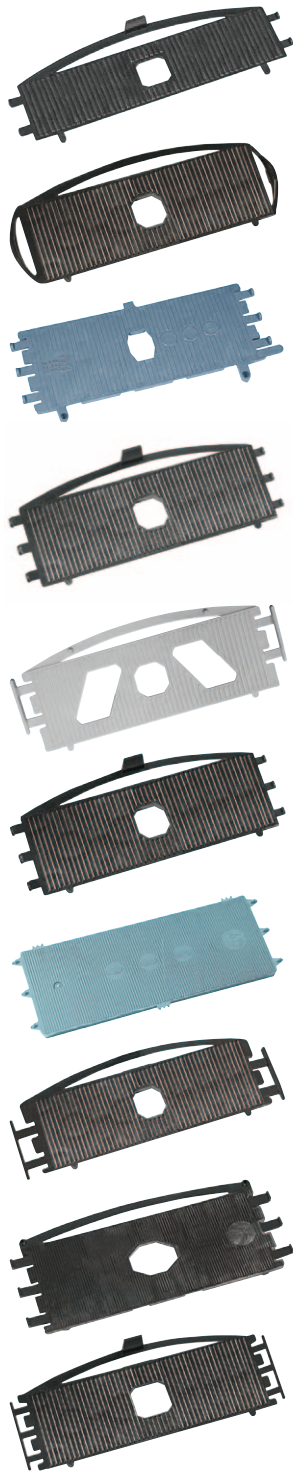
64.140.01	1 mm white
64.140.02	2 mm blue
64.140.03	3 mm red
64.140.04	4 mm yellow
64.140.05	5 mm green
64.140.06	6 mm black

46 mm wide

64.146.01	1 mm white
64.146.02	2 mm blue
64.146.03	3 mm red
64.146.04	4 mm yellow
64.146.05	5 mm green
64.146.06	6 mm black

50 mm wide

64.150.01	1 mm white
64.150.02	2 mm blue
64.150.03	3 mm red
64.150.04	4 mm yellow
64.150.05	5 mm green
64.150.06	6 mm black



Glazing bridges,

PVC, self-clamping with block protection, a labyrinth and system for ventilation/drainage in a longitudinal and lateral direction.

Length: 100 mm

		■ Boxed qty.:	Pieces
66.101.01	Aluplast 2000		1.000
66.101.02	Aluplast 4000, 5000, 6000, depth 55 mm		500
66.101.03	Gealan S 7000, 8000, flush fitted and offset		500
66.101.04	Kömmerling Eurofuture Classic, Elegance, depth 54 mm		500
66.101.05	KBE 70 AD/MD (not compatible with MD frames)		500
66.101.06	Rehau Brillant, Thermo		500
66.101.07	Schüco Corona CT 70, depth 55 mm		500
66.101.08	Trocal Innonova 70, depth 52,5 mm		1.000
66.101.09	Veka Topline offset, Veka SoftLine 70 mm, Actual		500
66.101.13	Salamander 3D, Streamline		500
66.101.14	Deceuninck Zendow		500
66.101.15	Rehau Geneo		500
66.101.17	Kömmerling 88 plus		500
66.101.18	Schüco SI 82		500
66.101.19	Rehau 730/735		500
66.101.20	Gealan S 7000, IQ plus und S 8000 IQ plus*		500
66.101.22	Brügmann AD 73, MD 73		1.000
66.101.23	Veka SoftLine 82		500

Glazing bridges, increased,

PVC, self-clamping with block protection, a labyrinth and system for ventilation/drainage in a longitudinal and lateral direction.

Length: 100 mm

		■ Boxed qty.:	Pieces
66.102.01	Aluplast 4000, 5000, 6000, depth 55 mm, 5 mm increased*		250
66.102.02	Deceuninck Zendow, 4,5 mm increased*		250
66.102.03	Gealan S 7000, 8000, flush fitted and offset, 3 mm increased*		250
66.102.04	Inoutic Elite, 3 mm increased*		500
66.102.05	Inoutic Prestige, 3 mm increased*		500
66.102.06	Kömmerling Eurofuture Classic, Elegance Evolution, depth 54 mm, 4 mm increased*		250
66.102.07	Veka Topline offset Veka SoftLine 70 mm AlphaLine, 3 mm increased*		500

DuBloc glazing bridge, offsetted

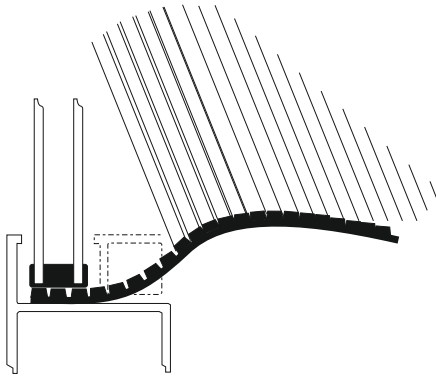
made of a PVC composite. A block can be divided into 2 equal pieces and has a ringed surface for optimum load spread.

Length: 120 mm

■ Boxed qty.: 1.000 pieces

66.001.12	KöVS
66.002.11	Rehau S730
66.003.12	Veka-SoftLine
66.006.12	Deceuninck
66.007.12	Gealan

Colour deviations caused by technical processing can occur.



This glazing chain, made of hard, highly durable rubber, produces the best possible glazing results.

It is also specially suitable for glazing work on arched windows and sound proof windows.

- Advantages
 - weather resilient
 - elastic
 - exact glazing due to flush-fitting profile contact
 - sound absorbent
 - economical tear-off chain use

Width: 100 mm
 Length: 1.200 mm
 ■ Boxed qty: 1 Length

64.001.03
 64.001.04
 64.001.05

■ **N.B.**

The chain is available in 1,20 m lengths (171) links. Each link has a length of 10 cm and a width of approx. 7 mm, so that glazing rebates of 7,14, 21, 28, 35 mm depth are completely filled in, as the links remain connected and form a complete unit.

During glazing the necessary number of chains are slid into position under the pane. The remaining chains are simply cut off and waste is kept to a minimum. The blocks should not be forced into position. Allowance for window expansion and contraction should be taken into consideration.

Window fittings

1

Door fittings

2

Accessories and consumable items

Fixing and coupling methods, screws, drill bits, clamping, mounting and fixing devices

3A

Workshop consumable items for glueing, cleaning, sealing, sanding, repair and finishing

3B

Glazing, drainage

3C

Decorative mouldings, ornamental skirting boards

3D

Tools

3E

In planning

3F



Art. No. 70.205.01



Art. No. 70.206.01



Art. No. 70.207.01



Art. No. 70.208.01



Art. No. 70.250.01



Art. No. 70.303.01



Art. No. 70.106.01



Art. No. 70.108.01



Art. No. 70.351.01



Art. No. 70.200.01



Art. No. 70.201.01



Art. No. 70.256.01



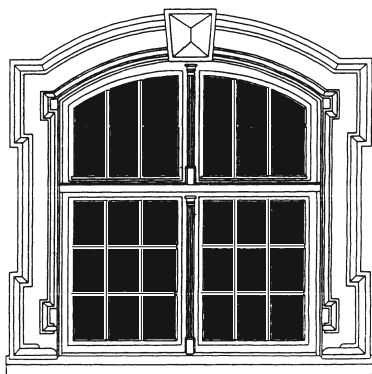
Art. No. 70.258.01



Art. No. 70.100.01



Art. No. 70.257.01



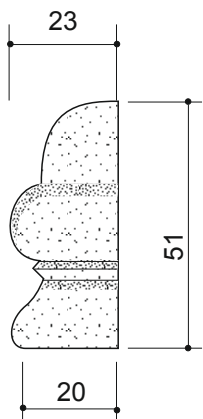
Ornamental fittings

for all architectural house renovations,
white similar RAL 9016.

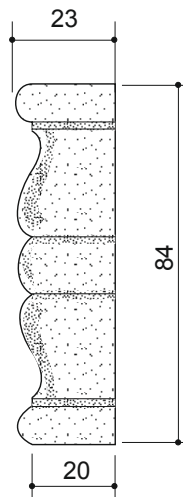
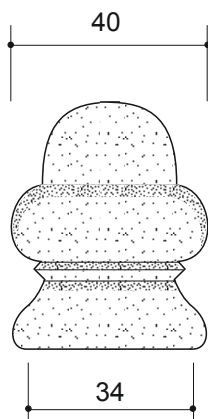
■ Boxed qty.: 1 piece

70.100.01	type S 100
70.101.01	type S 101
70.102.01	type S 102
70.103.01	type S 103
70.104.01	type S 104
70.105.01	type S 105
70.106.01	type S 106
70.108.01	type S 108
70.109.01	type S 109
70.110.01	type S 110
70.112.01	type S 112
70.200.01	type S 200
70.201.01	type S 201
70.202.01	type S 202
70.203.01	type S 203
70.205.01	type S 205
70.206.01	type S 206
70.207.01	type S 207
70.208.01	type S 208
70.211.01	type S 211
70.250.01	type S 250
70.251.01	type S 251
70.252.01	type S 252
70.253.01	type S 253
70.256.01	type S 256
70.257.01	type S 257
70.258.01	type S 258
70.259.01	type S 259
70.260.01	type S 260
70.261.01	type S 261
70.262.01	type S 262
70.271.01	type S 271
70.273.01	type S 273
70.272.01	type S 272
70.303.01	type S 303
70.304.01	type S 304
70.305.01	type S 305
70.350.01	type S 350
70.351.01	type S 351
70.352.01	type S 352
70.353.01	type S 353
70.354.01	type S 354
70.355.01	type S 355
70.360.01	type S 360

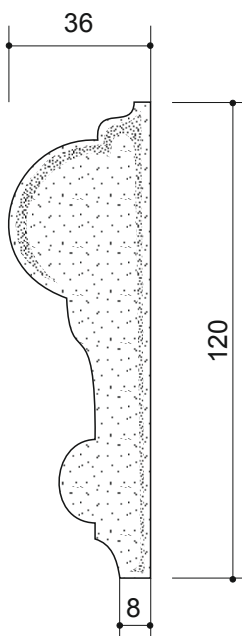
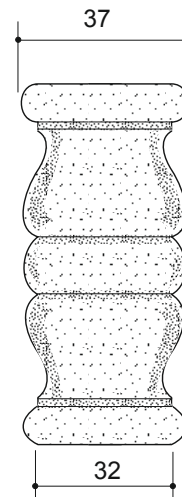
Ornamental fittings in accordance with RAL/Renolit with lacquered surface on request.



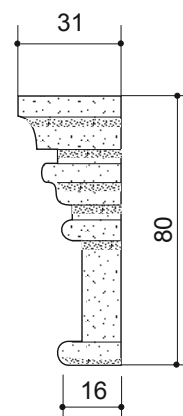
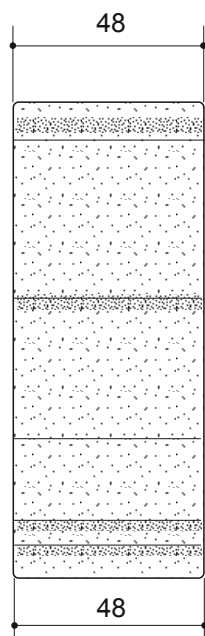
Art. No. 70.205.01



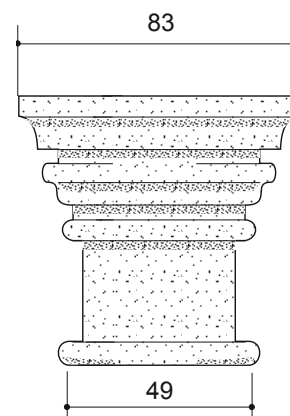
Art. No. 70.206.01

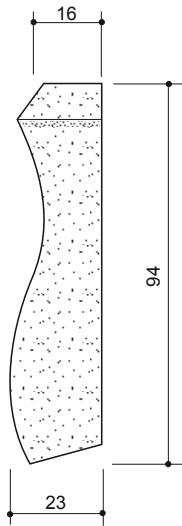


Art. No. 70.207.01

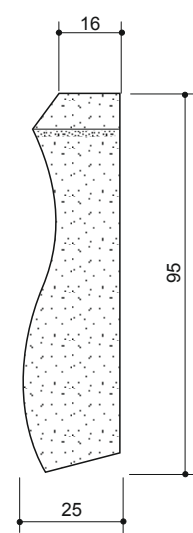
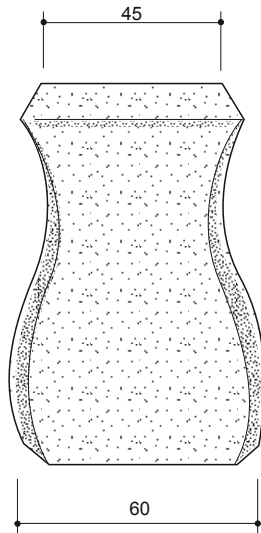


Art. No. 70.208.01

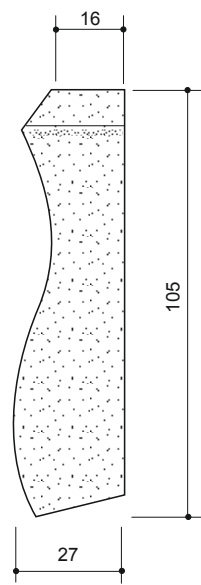
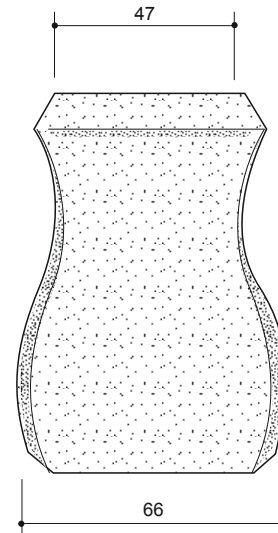




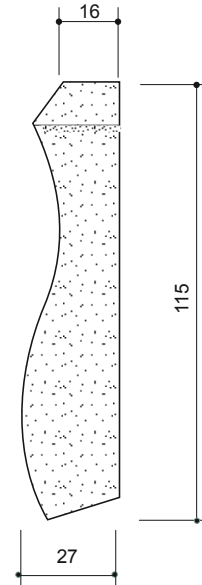
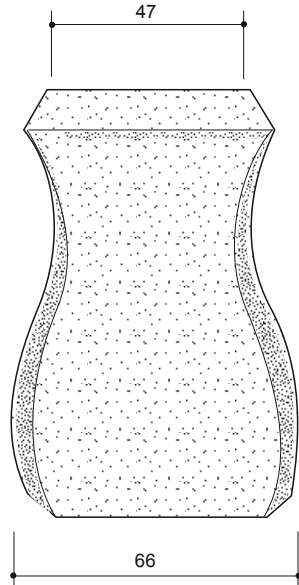
Art. No. 70.250.01



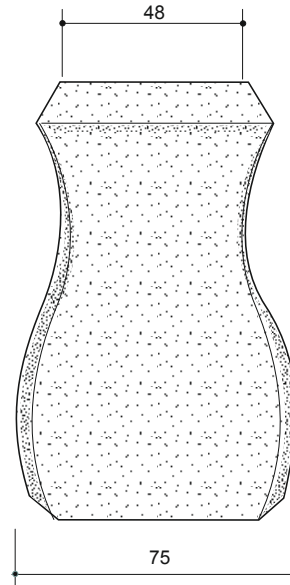
Art. No. 70.251.01

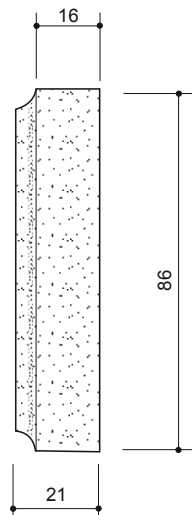


Art. No. 70.252.01

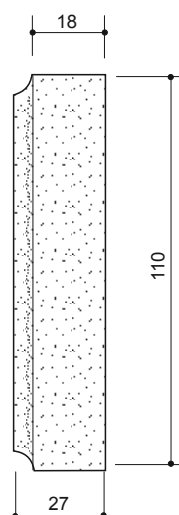
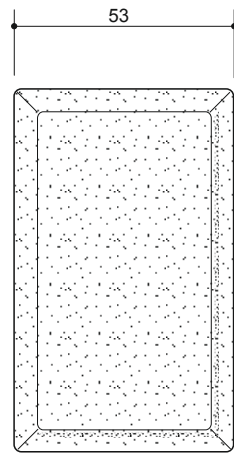


Art. No. 70.253.01

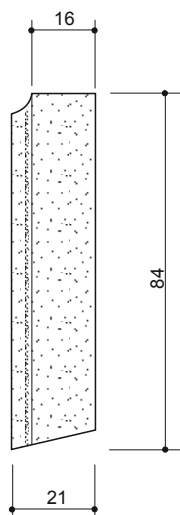
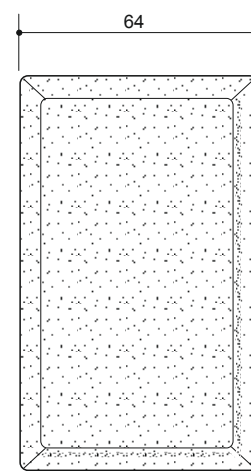




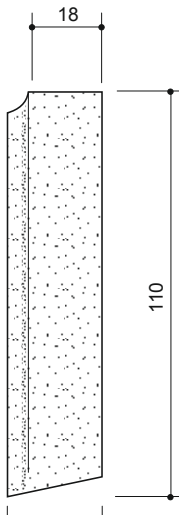
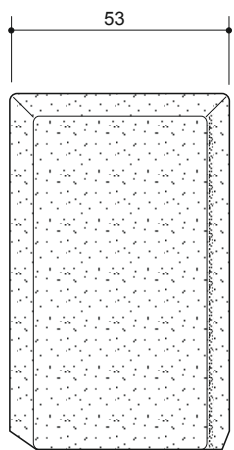
Art. No. 70.303.01



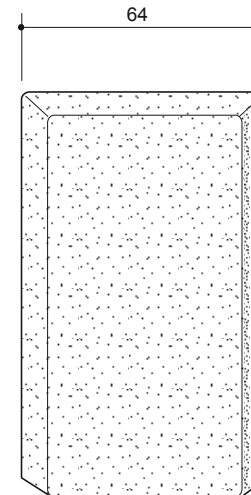
Art. No. 70.304.01

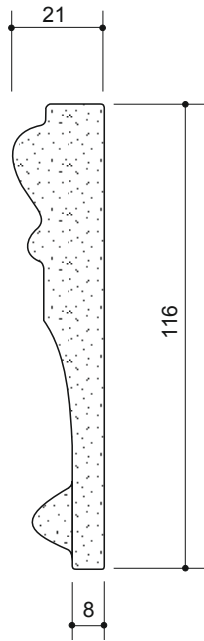


Art. No. 70.353.01

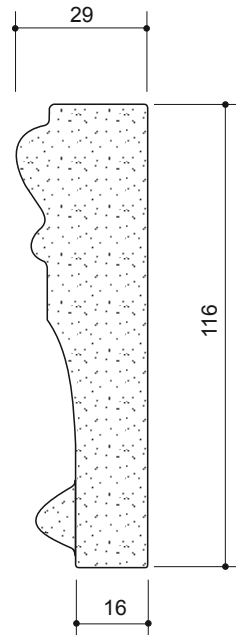
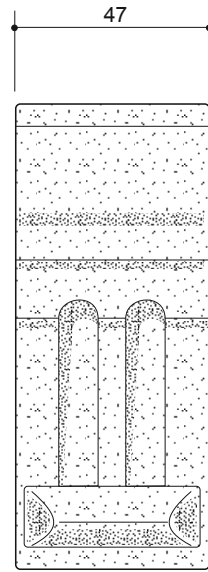


Art. No. 70.354.01

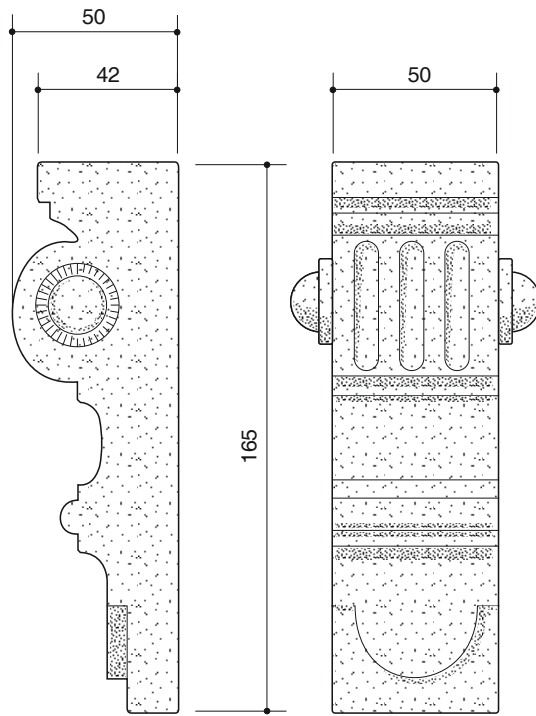
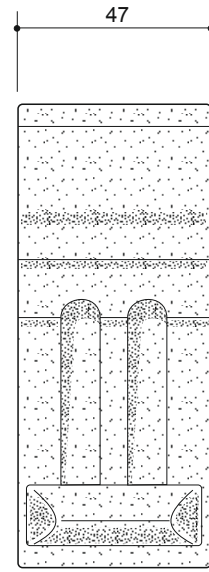




Art. No. 70.108.01



Art. No. 70.109.01



Art. No. 70.106.01

2

3A

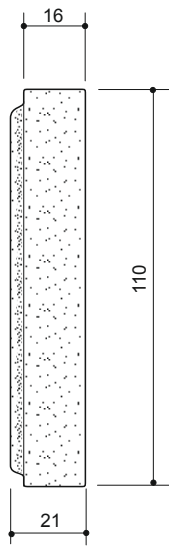
3B

3C

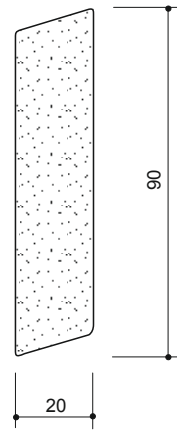
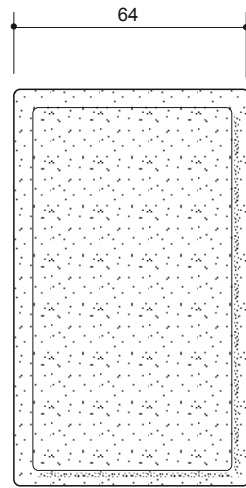
3D

3E

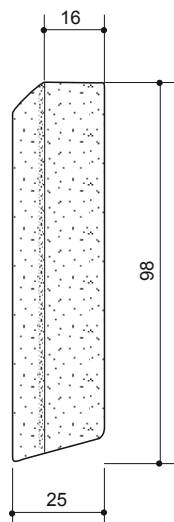
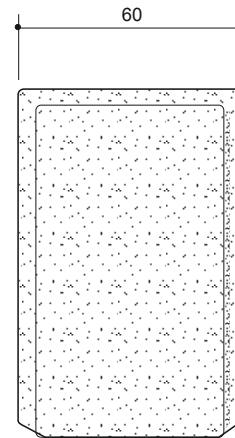
3F



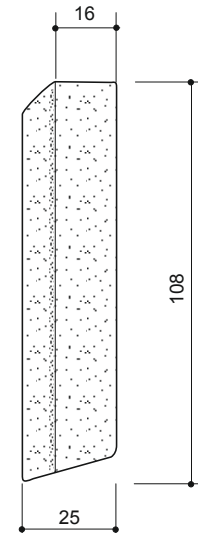
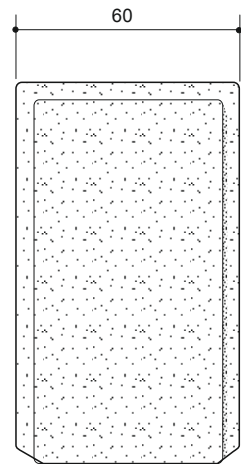
Art. No. 70.305.01



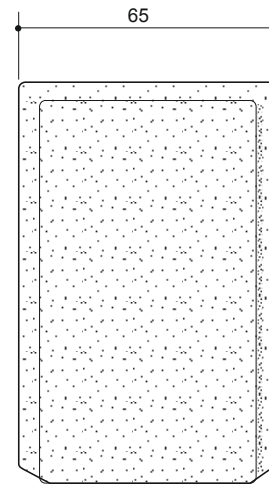
Art. No. 70.350.01

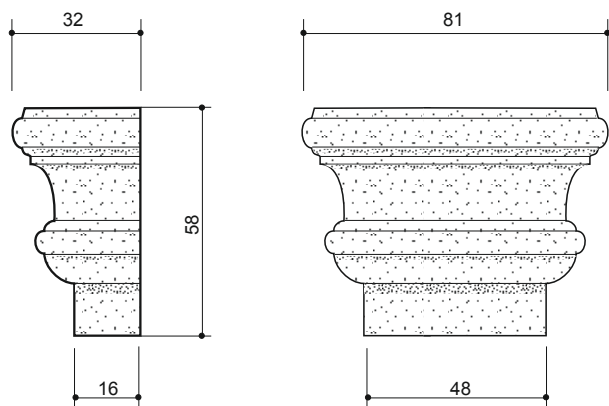


Art. No. 70.351.01

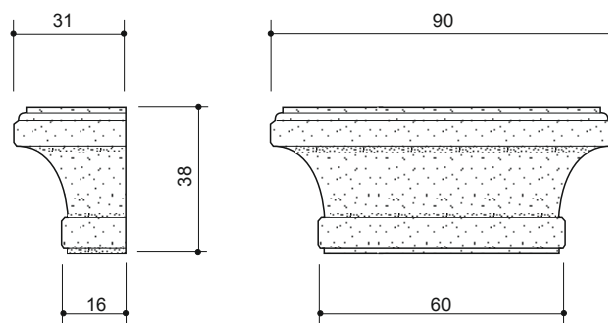


Art. No. 70.352.01

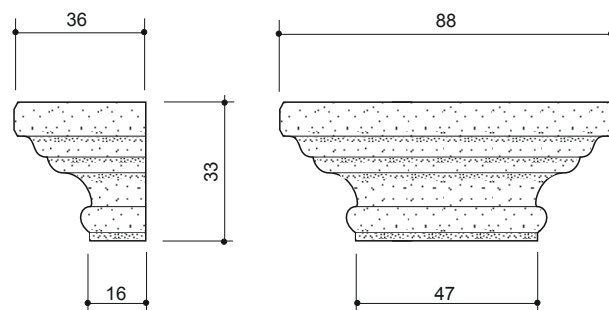




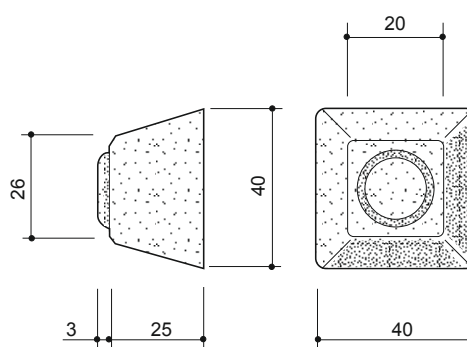
Art. No. 70.200.01



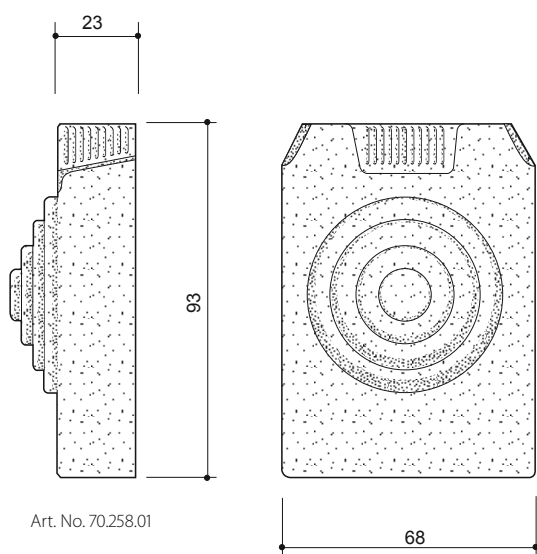
Art. No. 70.201.01



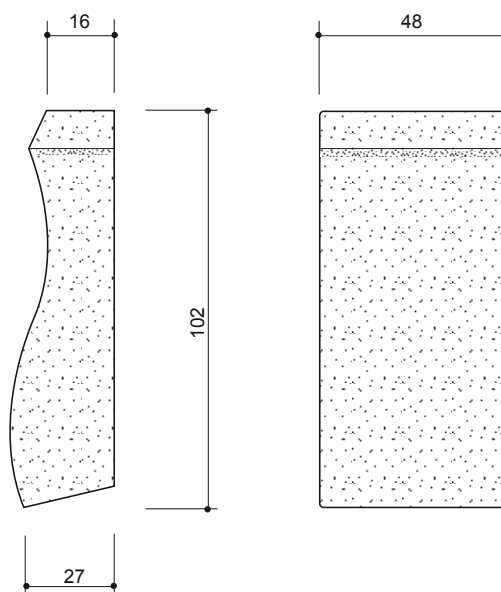
Art. No. 70.203.01



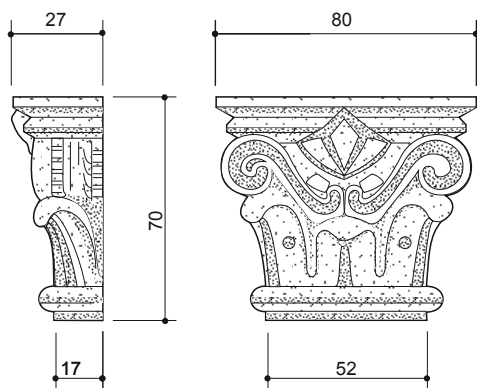
Art. No. 70.256.01



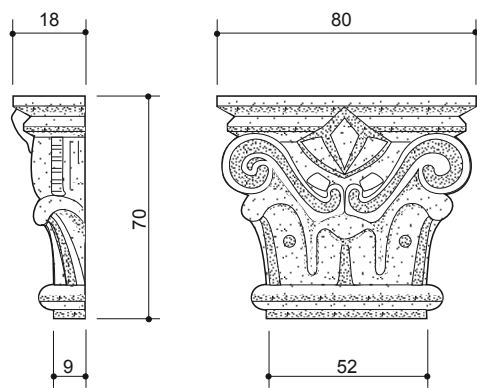
Art. No. 70.258.01



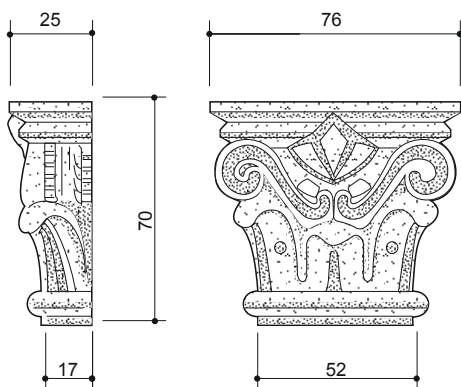
Art. No. 70.257.01



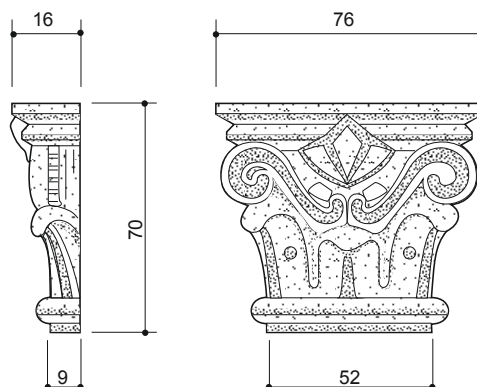
Art. No. 70.100.01



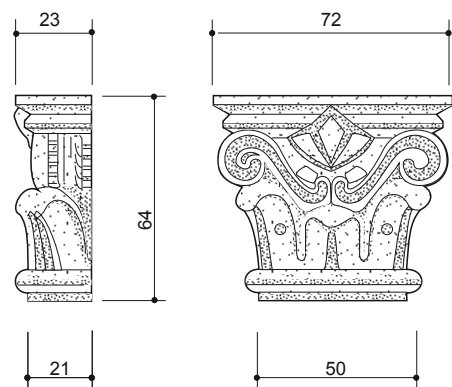
Art. No. 70.101.01



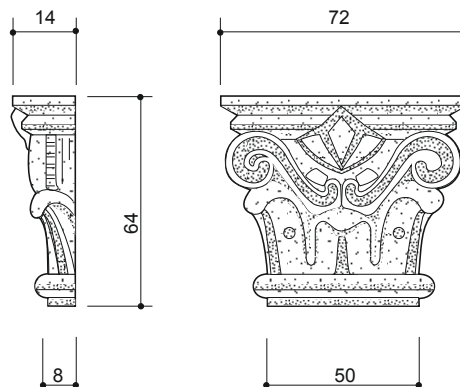
Art. No. 70.102.01



Art. No. 70.103.01



Art. No. 70.104.01



Art. No. 70.105.01

2

3A

3B

3C

3D

3E

3F

Ornamental mouldings

for stylish architectural house renovations. ■ Boxed qty.: 6 m

white, similar Ral 9016.

70.020.11	type L 20
70.021.11	type L 21
70.116.11	type L 116
70.130.11	type L 130
70.150.11	type L 150
70.158.11	type L 158
70.160.11	type L 160
70.165.11	type L 165

cream white, similar Ral 9001*

laminated, minimum order qty. 60 m.

70.020.13	type L 20
70.021.13	type L 21
70.130.13	type L 130
70.150.13	type L 150
70.158.13	type L 158
70.160.13	type L 160

golden oak, similar Renolit 2178.001*

laminated, minimum order qty. 60 m.

70.020.14	type L 20
70.021.14	type L 21
70.130.14	type L 130
70.150.14	type L 150
70.158.14	type L 158
70.160.14	type L 160

For fixing we recommend

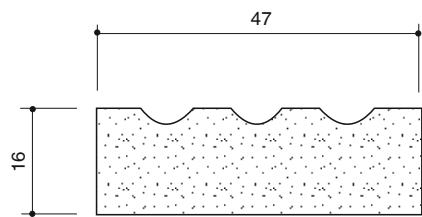
wintec® PVC-Adhesive, 200 ml tube ■ Boxed qty.: 1 and 50 pieces

59.001.11	transparent
59.001.01	white

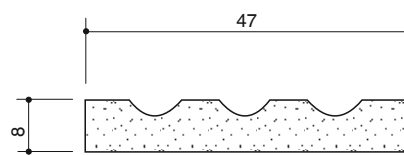


* on request.

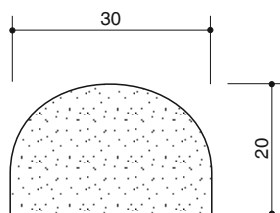
Colour deviations caused by technical processing can occur.



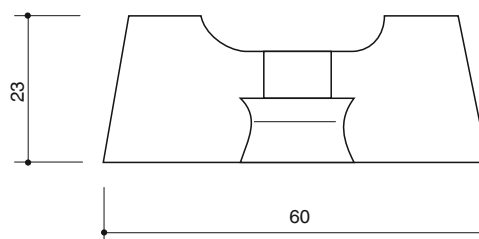
Art. No. 70.020.11 Ornamental Skirting Board



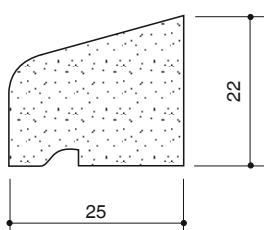
Art. No. 70.021.11 Ornamental Skirting Board



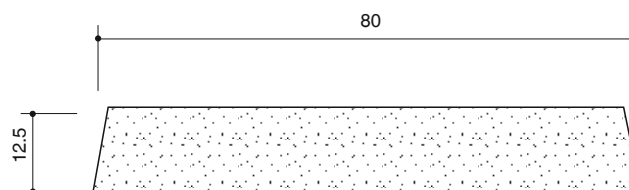
Art. No. 70.130.11 Ornamental Skirting Board



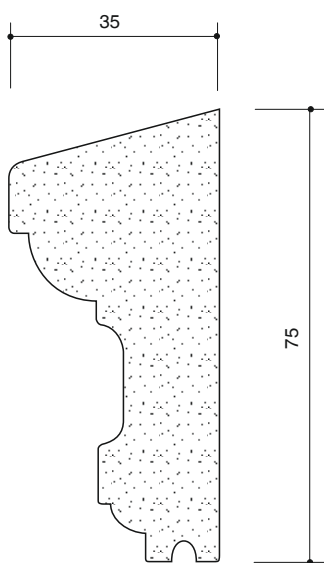
Art. No. 70.116.11 Ornamental Skirting Board



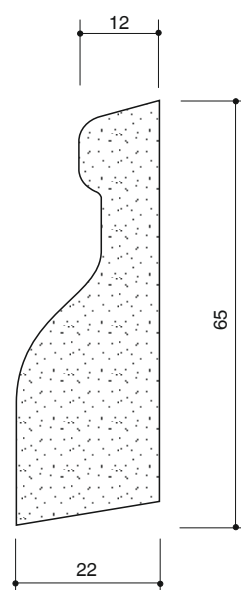
Art. No. 70.158.11 Window drip profile



Art. No. 70.165.11 Cover profile



Art. No. 70.150.11 Ornamental moulding board



Art. No. 70.160.11 Ornamental moulding board for window sill

Window fittings

1

Door fittings

2

Accessories and consumable items

Fixing and coupling methods, screws, drill bits, clamping, mounting and fixing devices

3A

Workshop consumable items for glueing, cleaning, sealing, sanding, repair and finishing

3B

Glazing, drainage

3C

Decorative mouldings, ornamental skirting boards

3D

Tools

3E

In planning

3F



Special marking pencil

for marking white and coloured PVC profiles.

■ Boxed qty: 1 Doz.

- 67.001.01 white
- 67.001.02 black



File

for work with Hard-PVC.

Length: 250 mm

■ Boxed qty: 1 piece

67.602.01



Don Carlos knife

for work with welding beads.

■ Boxed qty: 1 piece

67.004.02



Lead knife

■ Boxed qty: 1 piece

67.004.03



Glazier's spatula

■ Boxed qty: 1 piece

67.007.01

1

Measuring stick with analog display

Robust, handy, telescopic for easy measuring of internal dimensions of upto 300 cm. Window measurement reading.

Length: 70 cm

Measuring range: 0,70 - 3.00 m

Weight: 1,1 kg

■ Boxed qty: 1 piece

67.020.31 **1** Measuring stick

67.020.32 **2** Bag for measuring stick

Inch measurements on request.

2





Pliers for cutting PVC

e.g. for cutting gaskets, especially in the case of extruded sealing gaskets where access to the welding beads is difficult.

■ Boxed qty.: 1 piece

- 67.003.02 size 180 mm
- 67.003.03 size 160 mm
- 67.003.05 size 160 mm, 45° angled



Hexagonal screwdriver

for adjusting t/t fittings.

■ Boxed qty.: 1 piece

- 67.005.20 Ø 2,0 mm
- 67.005.25 Ø 2,5 mm
- 67.005.30 Ø 3,0 mm
- 67.005.40 Ø 4,0 mm
- 67.005.50 Ø 5,0 mm
- 67.005.60 Ø 6,0 mm



Glazing shovel

for easy, competent glazing.

■ Boxed qty.: 1 piece

- 67.006.01 in wood
- 67.006.11 in PVC

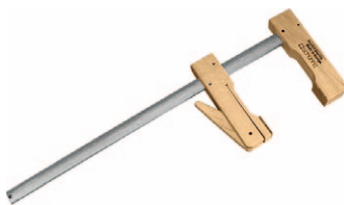


Nylon hammer

for work on PVC windows..

■ Boxed qty.: 1 piece

67.006.02



Clamp

for quick scratch free clamping of PVC windows.

■ Boxed qty.: 1 piece

- 67.110.02 size 200/110 mm
- 67.110.03 size 300/110 mm
- 67.110.04 size 400/110 mm
- 67.110.06 size 600/110 mm
- 67.110.10 size 1.000/110 mm

Window fittings

1

Door fittings

2

Accessories and consumable items

Fixing and coupling methods, screws, drill bits, clamping, mounting and fixing devices

3A

Workshop consumable items for glueing, cleaning, sealing, sanding, repair and finishing

3B

Glazing, drainage

3C

Decorative mouldings, ornamental skirting boards

3D

Tools

3E

In planning

3F

In planning